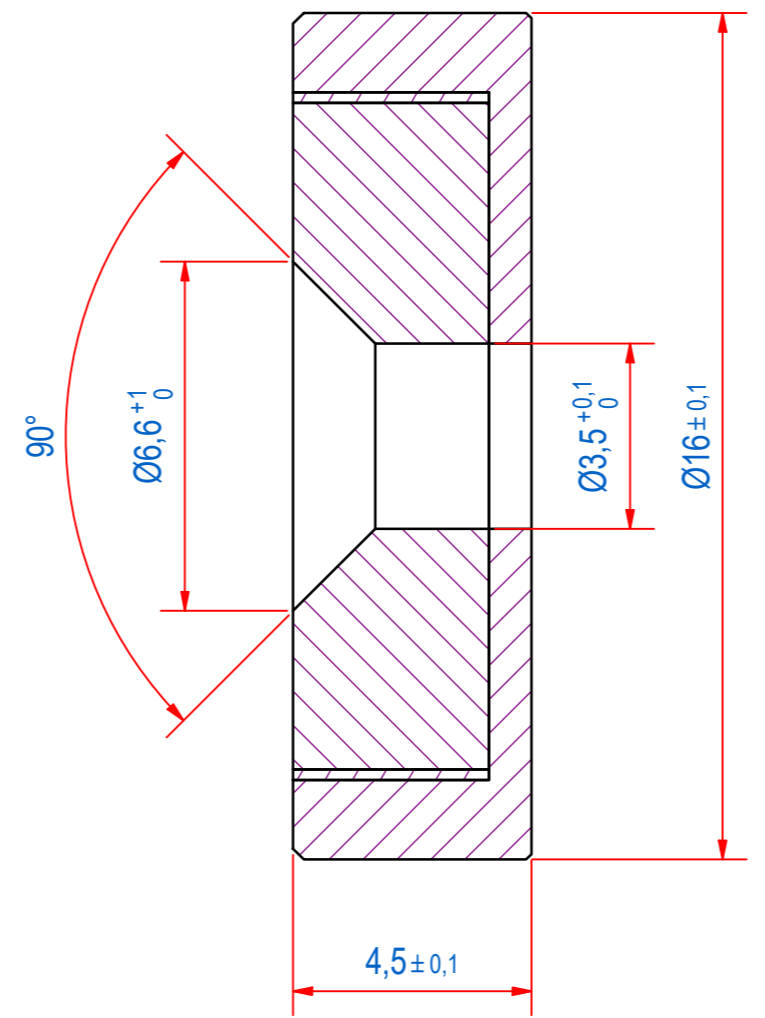
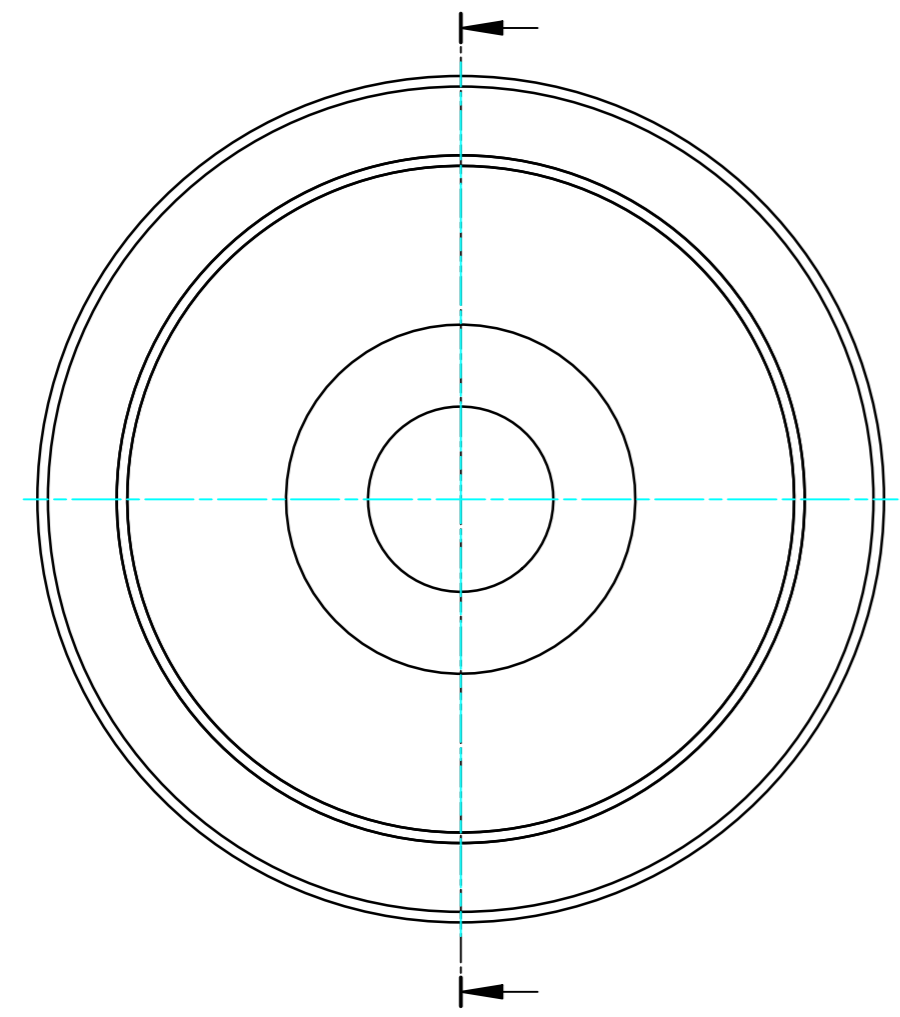
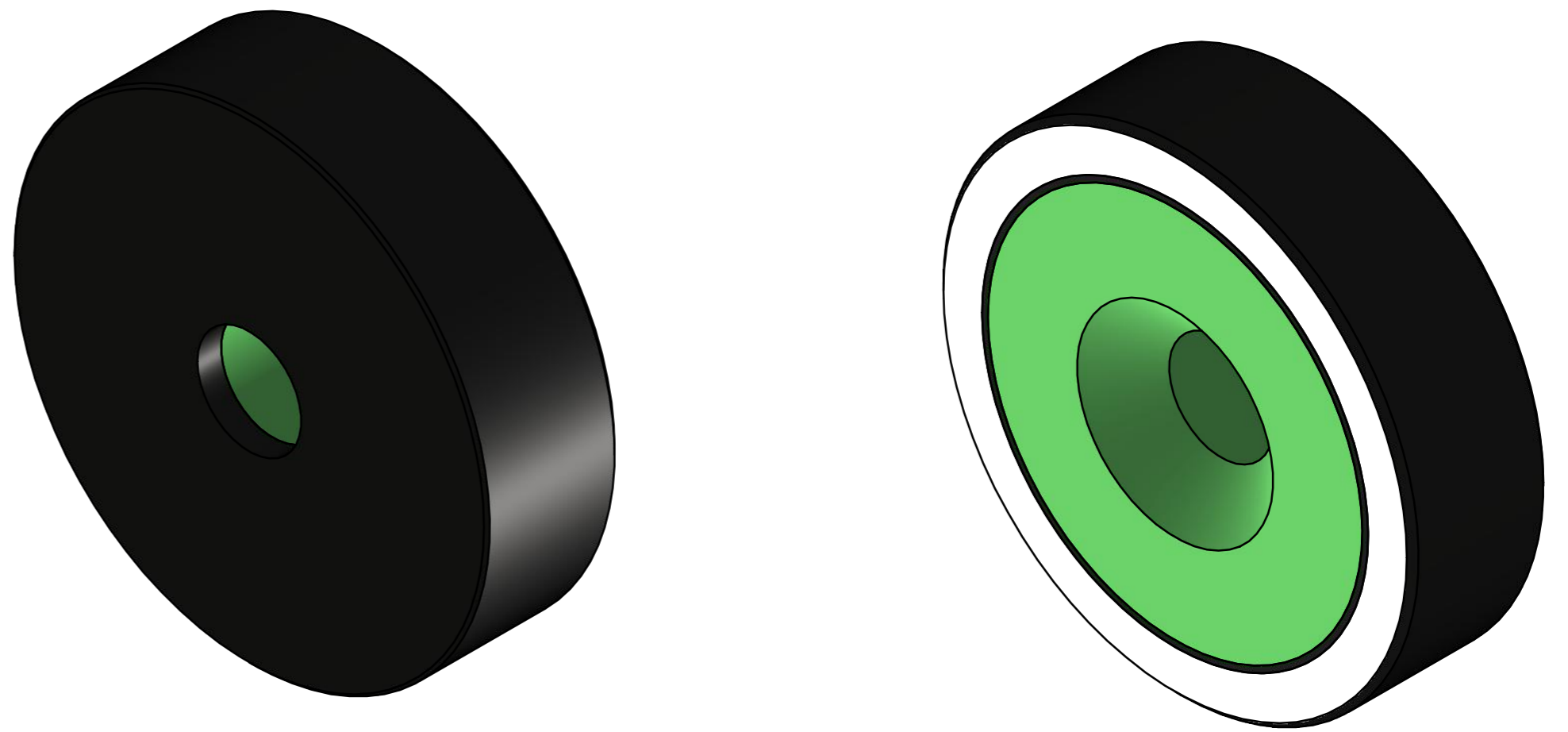


DOC.NR.	REV	DATE	BY	DESCRIPTION
E0121327	-	19-12-2019	PB	ORIGINAL DRAWING
E0121327	A	19-12-2019	PB	NOTHING CHANGED



SURFACE TREATMENT: ZINC PLATED

RAW MAT.	1	Quantity	Material Number	Material Description	Length (mm)	Width (mm)
Symbol	Sheet: A2	Extra info:	POTMAGNET NEODYMIUM		General tolerance: ISO 2768- mK	
Drawn: PV	Weight (kg): 0,006	Date:	26-8-2019		Drawn according: ISO268; ISO1101; ISO2553	
Spare part: False	Source:	Date:	26-8-2019		Status: Released	
Quick search: POTGM	Description:		PM-HS-N-SG-D16x4.5xd3.5/6.6		Customer reference number:	Document number: E0121327
GOUDSMIT MAGNETICS			© All rights reserved. Reproduction is not permitted without written permission of GOUDSMIT Magnetic Systems BV		Part number: GM17425	Doc.Rev: A
					Rev: A	