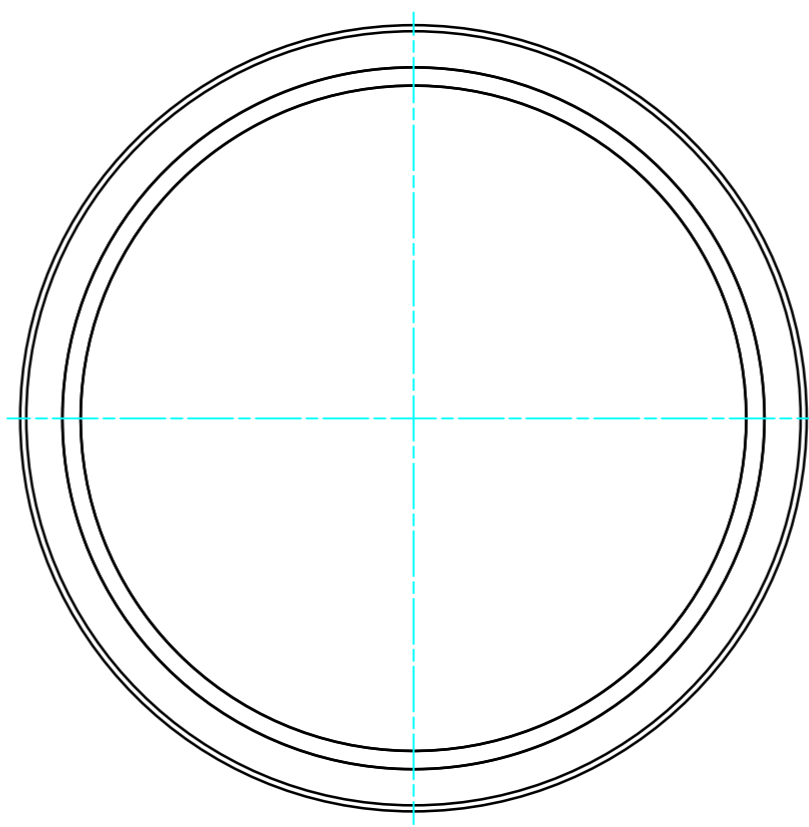
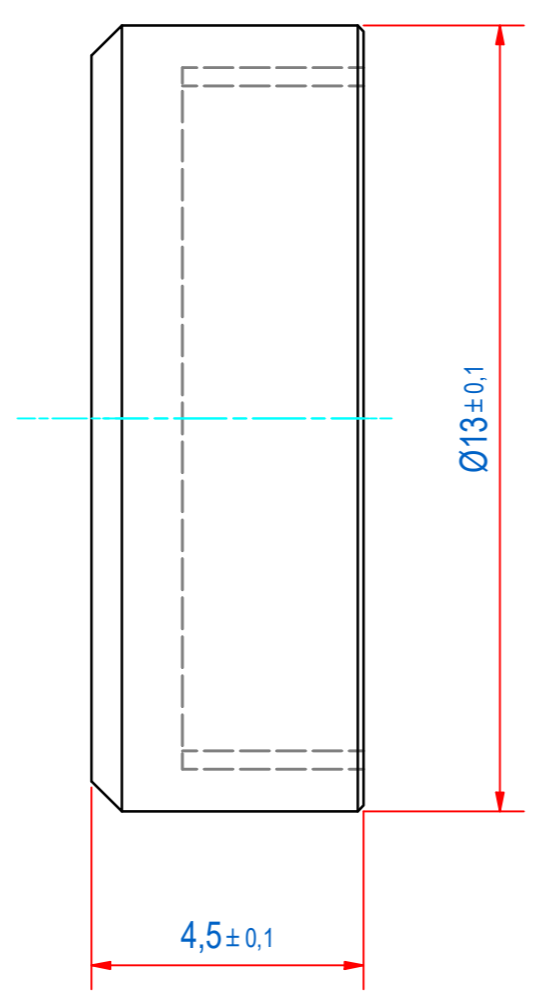
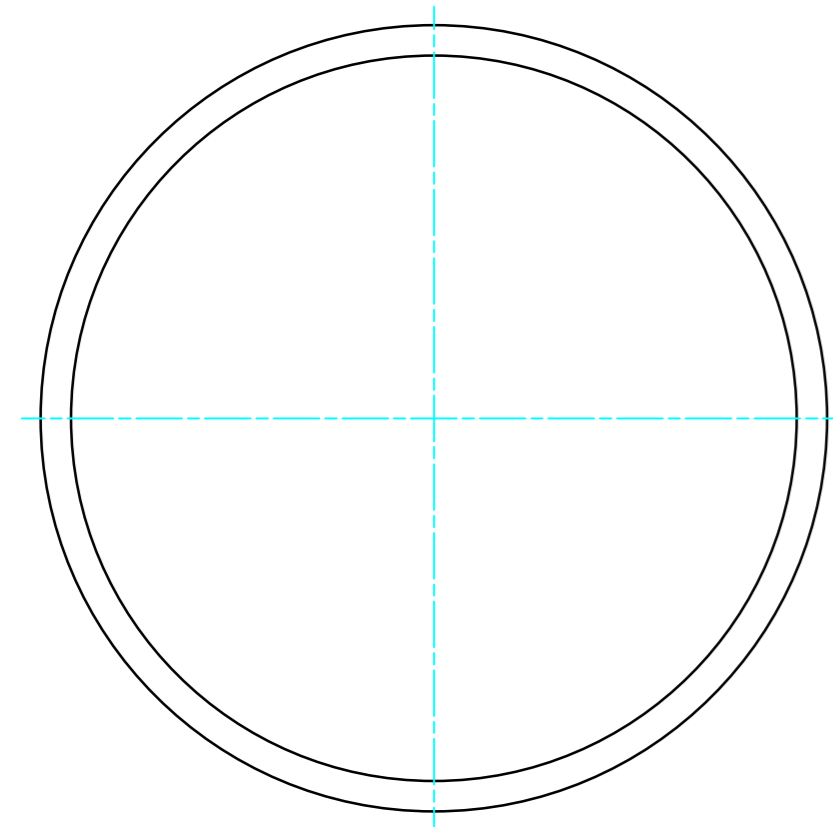


DOC.NR.	REV	DATE	BY	DESCRIPTION
E0119140	-	27-9-2019	PV	ORIGINAL DRAWING



SURFACE TREATMENT: ZINC PLATED

RAW MAT.	1	Quantity	Material Number	Material Description	Length (mm)	Width (mm)
Drawn:	PV	Sheet:	A2	Extra info: POTMAGNET SAMARIUM-COBALT	General tolerance: ISO 2768- mK	
Date:	17-7-2019	Weight (kg):	0,004	Brugger GmbH	Drawn according: ISO268; ISO1101; ISO2553	
Spare part:	False	Source:			Status: Released	
Quick search:	POTGM	© All rights reserved. Reproduction is not permitted without written permission of GOUDSMIT Magnetic Systems BV			Customer reference number:	
Description:	PM-BA-S-SG-D13x4.5				Document number:	E0119140
					Doc.Rev:	
					Part number:	GM17104
					Rev:	-