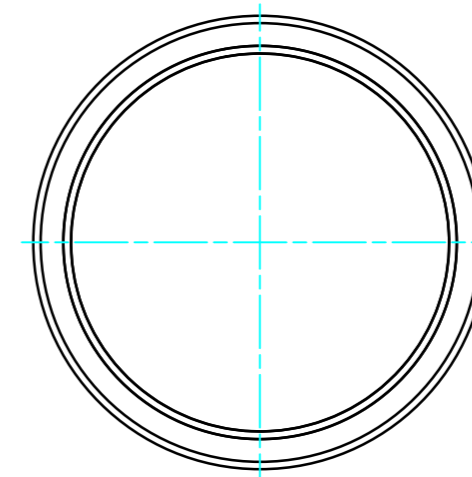
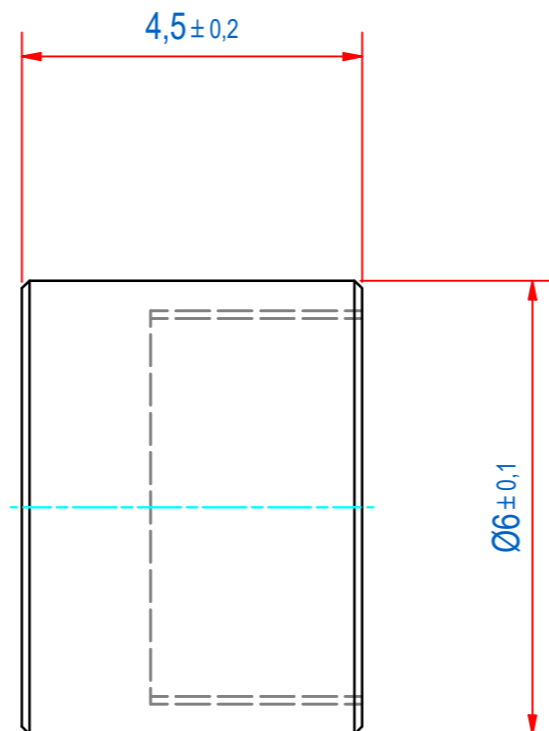
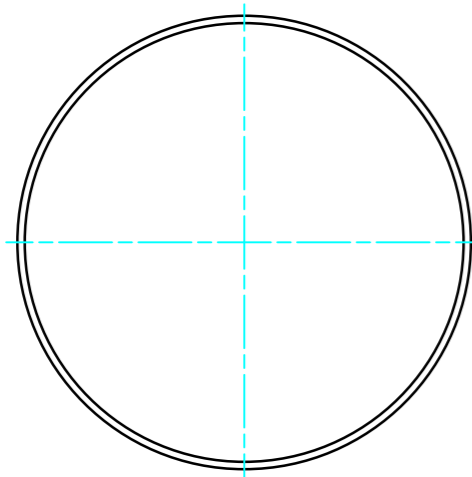
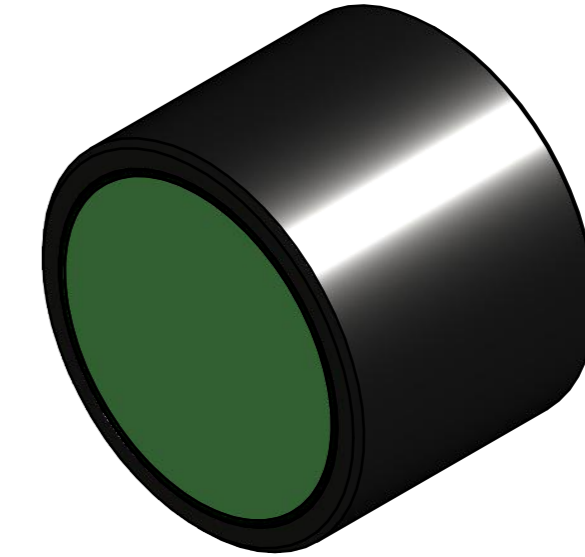


| DOC.NR. | REV | DATE | BY | DESCRIPTION |
|----------|-----|-----------|----|------------------|
| E0119135 | - | 27-9-2019 | PV | ORIGINAL DRAWING |



SURFACE TREATMENT: ZINC PLATED

| | | | | | | |
|---------------|-------------------|---|-----------------|--|---|------------|
| RAW MAT. | 1 | Quantity | Material Number | Material Description | Length (mm) | Width (mm) |
| Drawn: | PV | Sheet: | A2 | Extra info: POTMAGNETS SAMARIUM-COBALT | General tolerance: ISO 2768- mK | |
| Date: | 17-7-2019 | Weight (kg): | 0,001 | | Drawn according: ISO268; ISO1101; ISO2553 | |
| Spare part: | False | Source: | | | Status: Released | |
| Quick search: | POTGM | © All rights reserved. Reproduction is not permitted without written permission of GOUDSMIT Magnetic Systems BV | | Document number: | E0119135 | Doc.Rev: - |
| Description: | PM-BA-S-SG-D6x4.5 | | | Part number: | GM17101 | Rev: - |