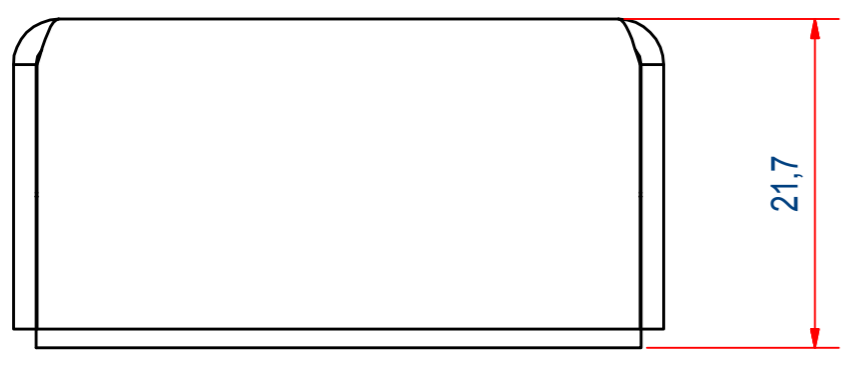
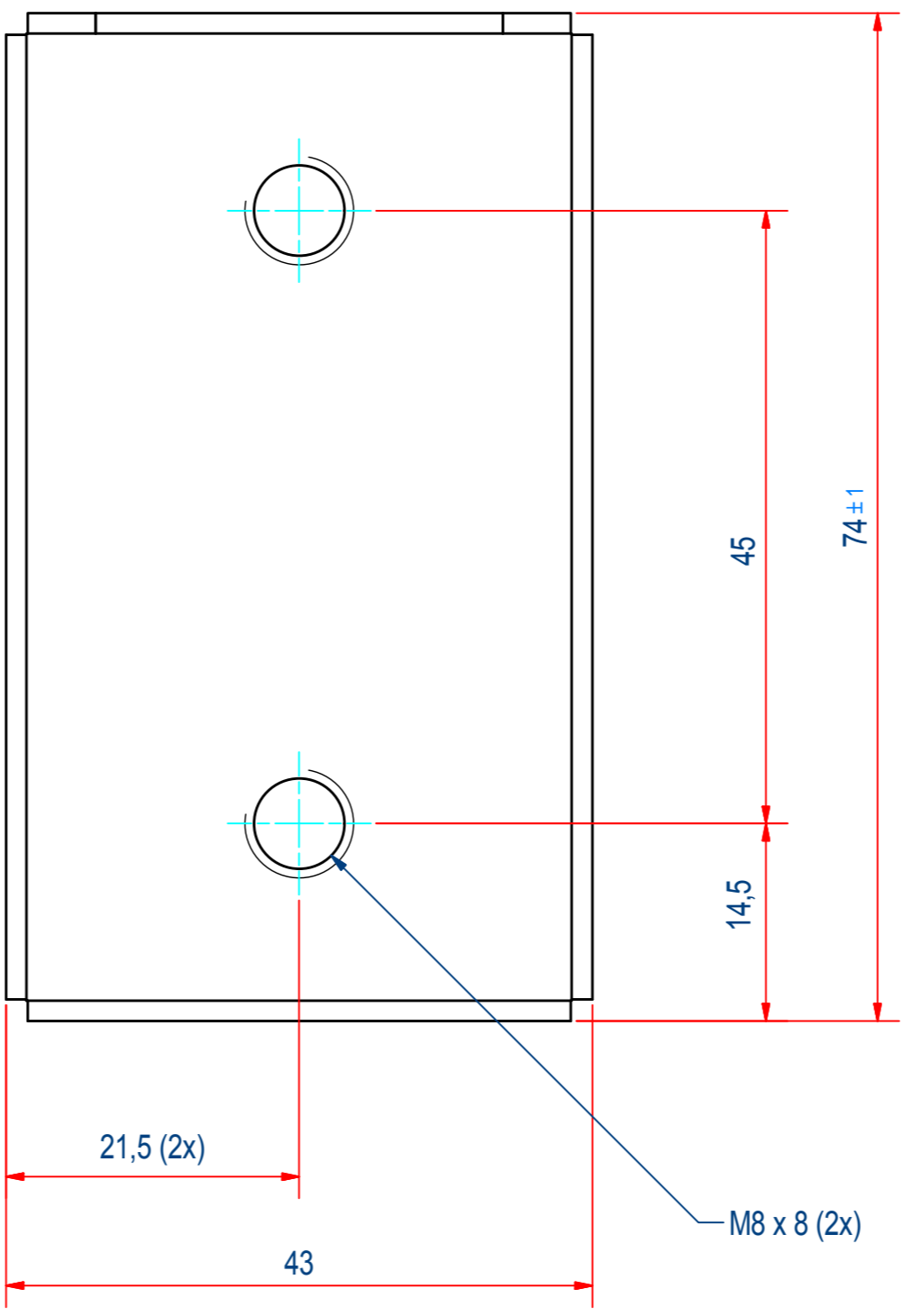
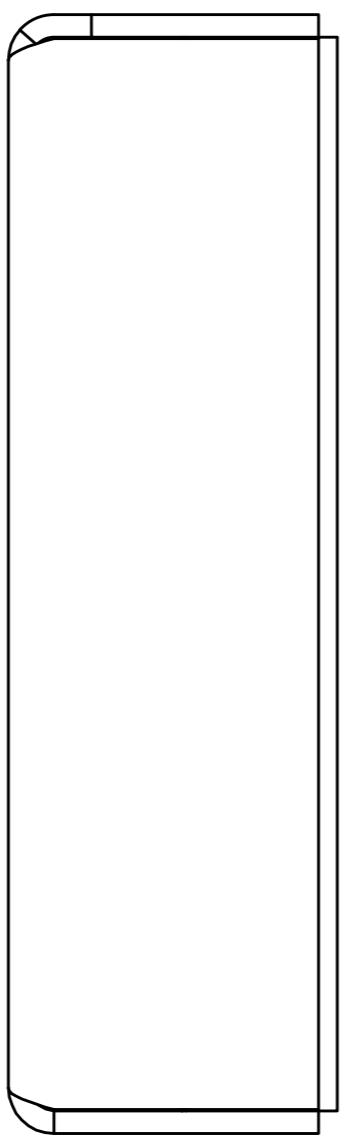
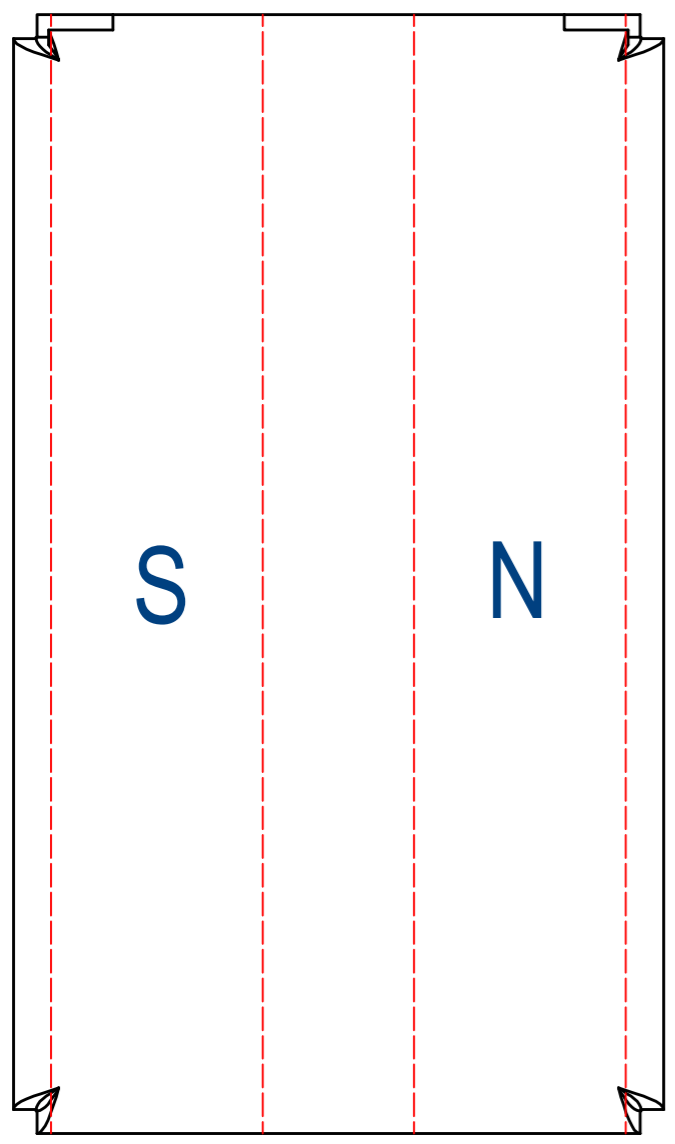


REV	DATE	BY	DESCRIPTION
-	3-2-2014	PB	NEW VAULT, NEW REVISION. NOTHING CHANGED. OLD REV WAS A



ITEM	QTY	PART NUMBER	DESCRIPTION	Dimensions
5	2	E0005174	DUMMY MOULDING H00017	
4	1	E0005173	DUMMY MOULDING H00017	
3	1	H00017	1 LITR POLYURETHANE PL327/G27	
2	1	E0012941	COVER	
1	1	E0012946	MAGN. LAY-OUT	

RAW MAT.	QTY	MAT. NUMBER	MAT. DESCRIPTION	LENGTH (mm)	WIDTH (mm)
	1				

Sheet: A2	Extra info: SHEET SEPARATOR	General tolerance: ISO 2768 - mK
Drawn: PB	Weight (kg): 1,4	Drawn according: ISO268; ISO1101; ISO2553
Date: 3-2-2014		Status: Standard
Spare part: False		Customer reference number:
Quick search: TGSP00	© All rights reserved. Reproduction is not permitted without written permission of GOUDSMIT Magnetic Systems BV	File number: TGSP000075
Description: HSS-N-BA-043x022-0075-B		Part number: TGSP000075