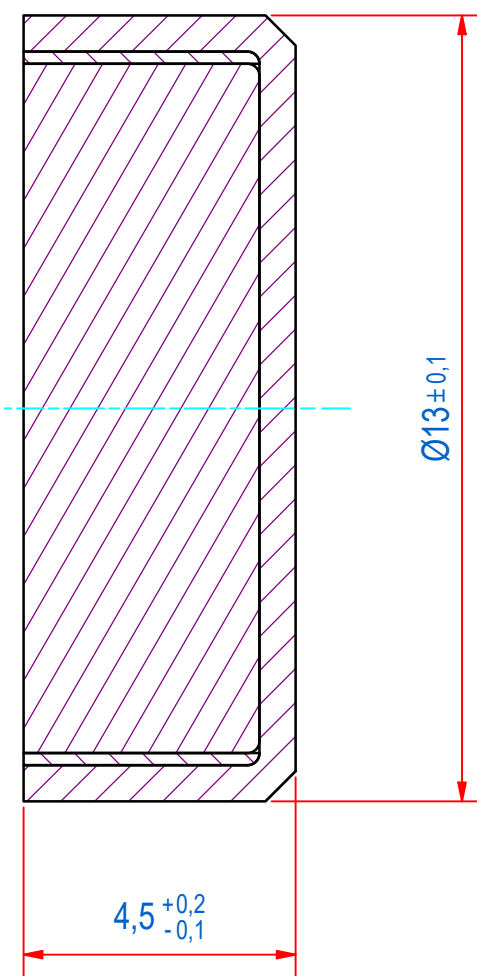
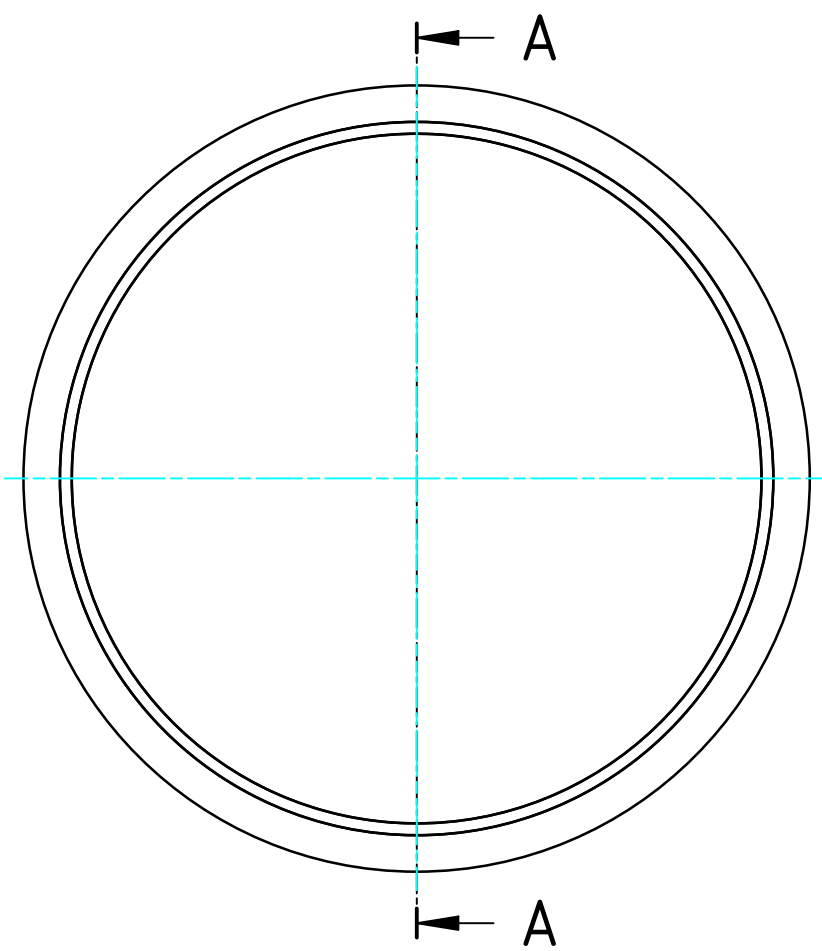
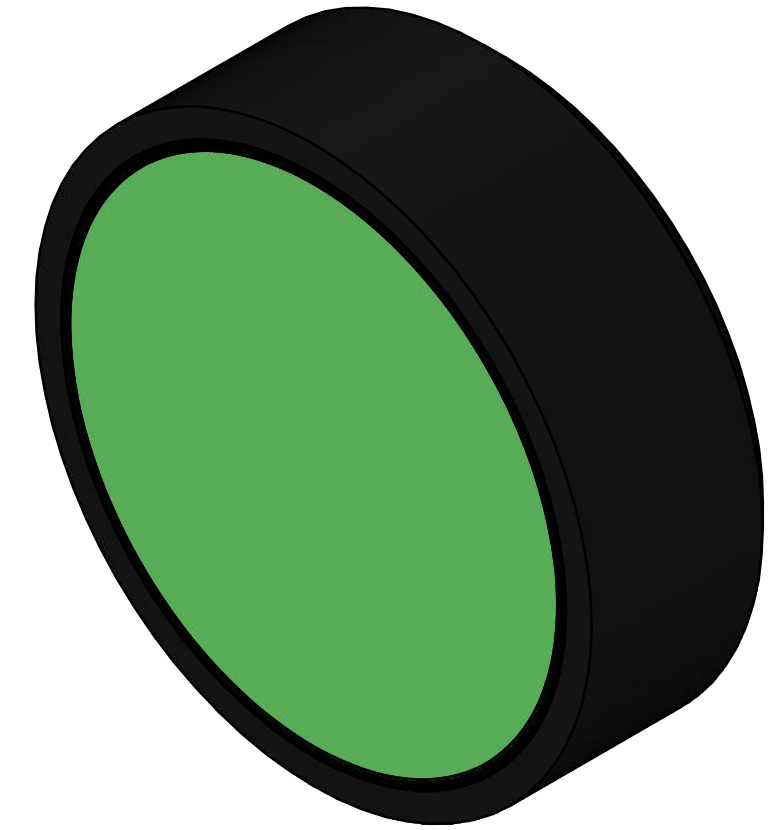
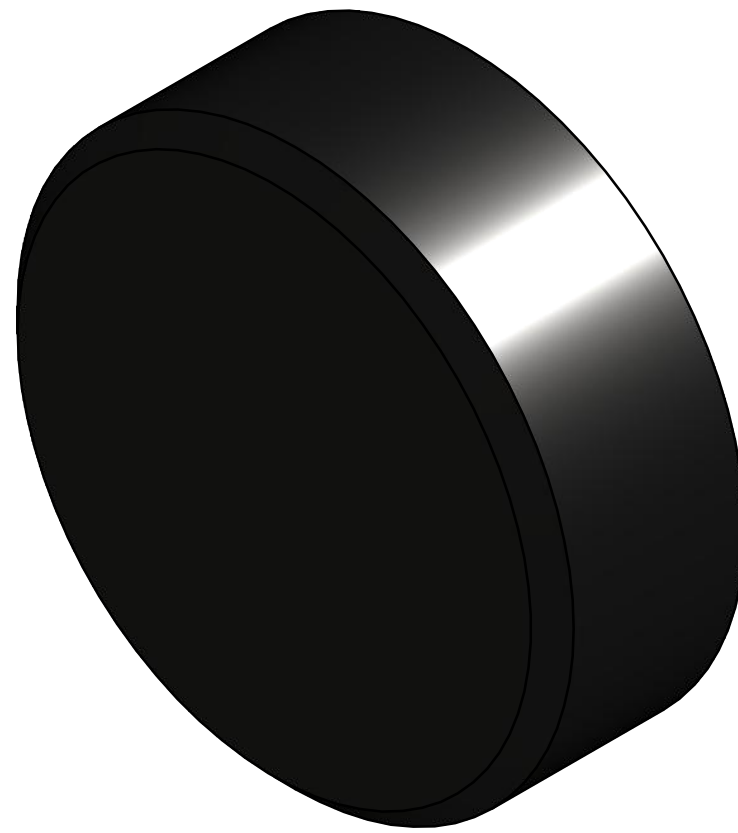



DOC.NR.	REV	DATE	BY	DESCRIPTION
E0120583	-	24-9-2019	PV	ORIGINAL DRAWING



SURFACE TREATMENT: ZINC PLATED

RAW MAT.	1	Quantity	Material Number	Material Description	Length (mm)	Width (mm)		
Sheet:	A2	Extra info:	POTMAGNET FERRITE			General tolerance:	ISO 2768- mK	
Drawn:	PV	Weight (kg):	0,004			Drawn according:	ISO268; ISO1101; ISO2553	
Date:	9-8-2019	Source:				Status:	Released	
Spare part:	False	Quick search:	POTGM	<small>© All rights reserved. Reproduction is not permitted without written permission of GOUDSMIT Magnetic Systems BV</small>			Customer reference number:	
Description:	PM-BA-F-SG-D13x4.5				Document number:	E0120583	Doc.Rev:	
					Part number:	GM16402	Rev:	