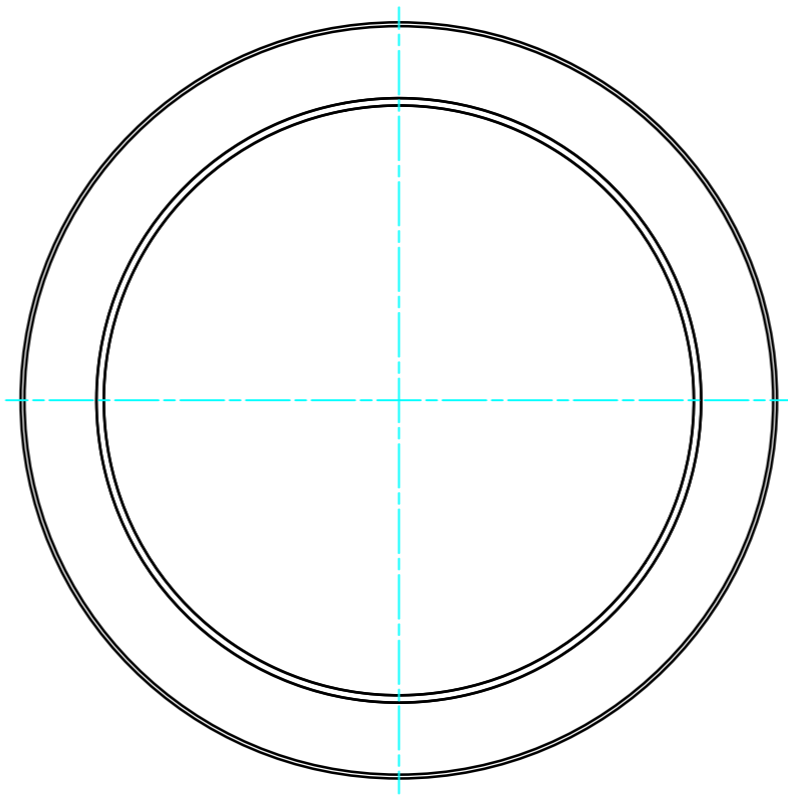
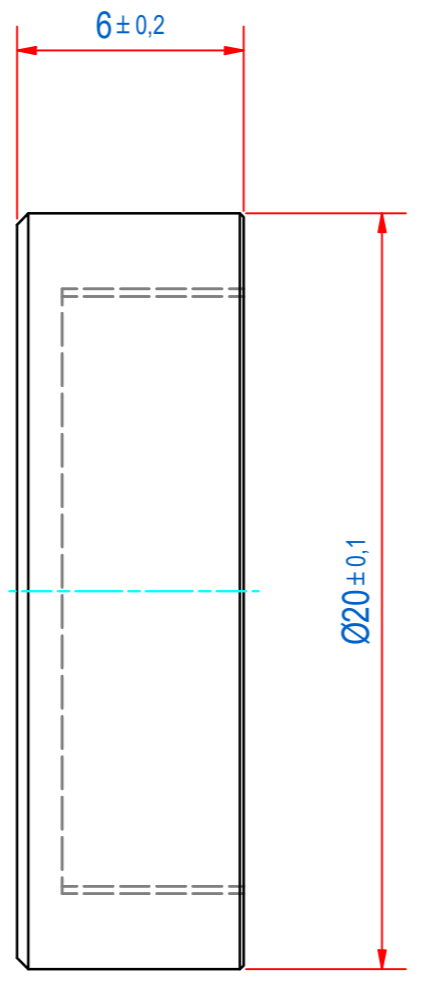
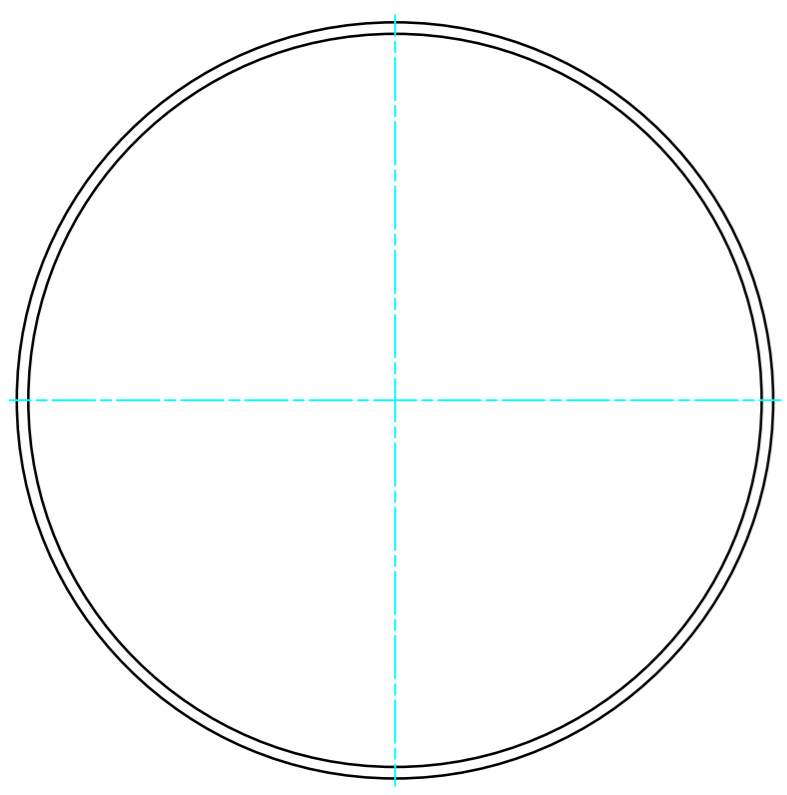
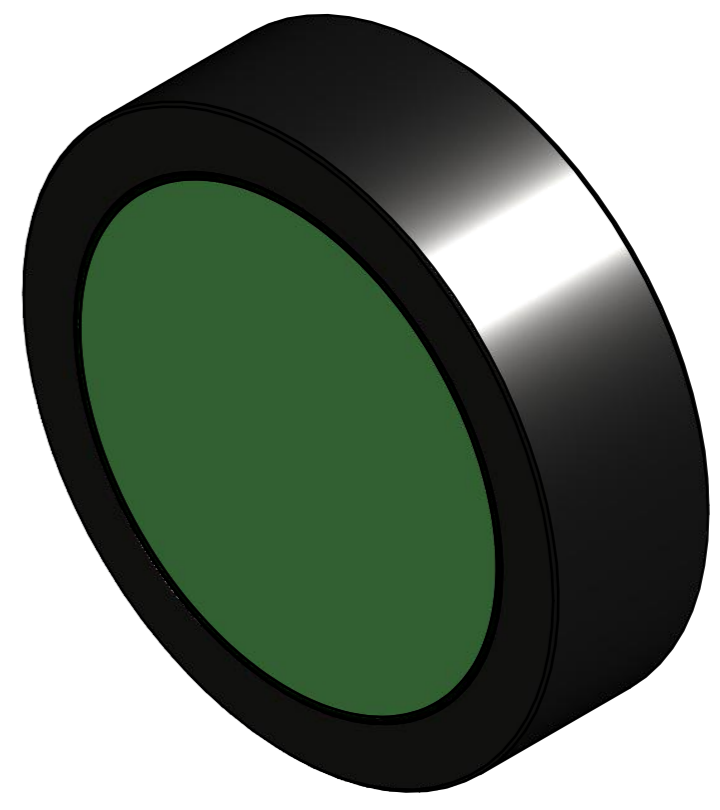



| DOC.NR. | REV | DATE | BY | DESCRIPTION |
|----------|-----|-----------|----|------------------|
| E0121247 | - | 30-9-2019 | PV | ORIGINAL DRAWING |



SURFACE TREATMENT: ZINC PLATED

| | | | | | | |
|---------------|------------------|--|---|-----------------------------|---|------------|
| RAW MAT. | 1 | Quantity | Material Number | Material Description | Length (mm) | Width (mm) |
| Sheet: | A2 | Extra info: | POTMAGNET NEODYMIUM | | General tolerance: ISO 2768- mK | |
| Drawn: | PV | Weight (kg): | 0,014 | | Drawn according: ISO268; ISO1101; ISO2553 | |
| Date: | 23-8-2019 | Status: | Released | | Customer reference number: | |
| Spare part: | False | Source: |  | | Document number: E0121247 Doc.Rev: - | |
| Quick search: | POTGM | <small>© All rights reserved. Reproduction is not permitted without written permission of GOUDSMIT Magnetic Systems BV</small> | | Part number: GM17406 Rev: - | | |
| Description: | PM-BA-N-SG-D20x6 | | | | | |