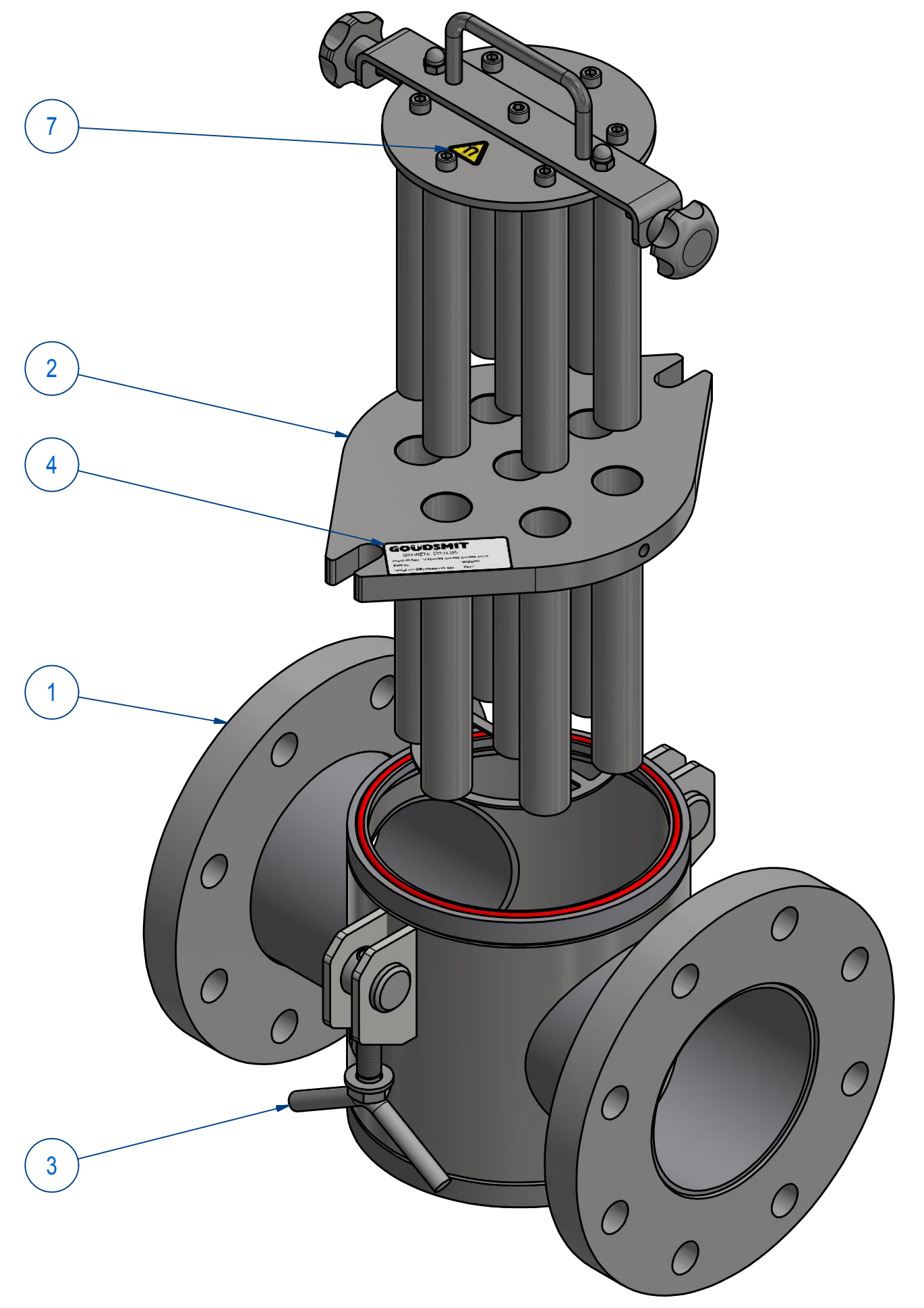
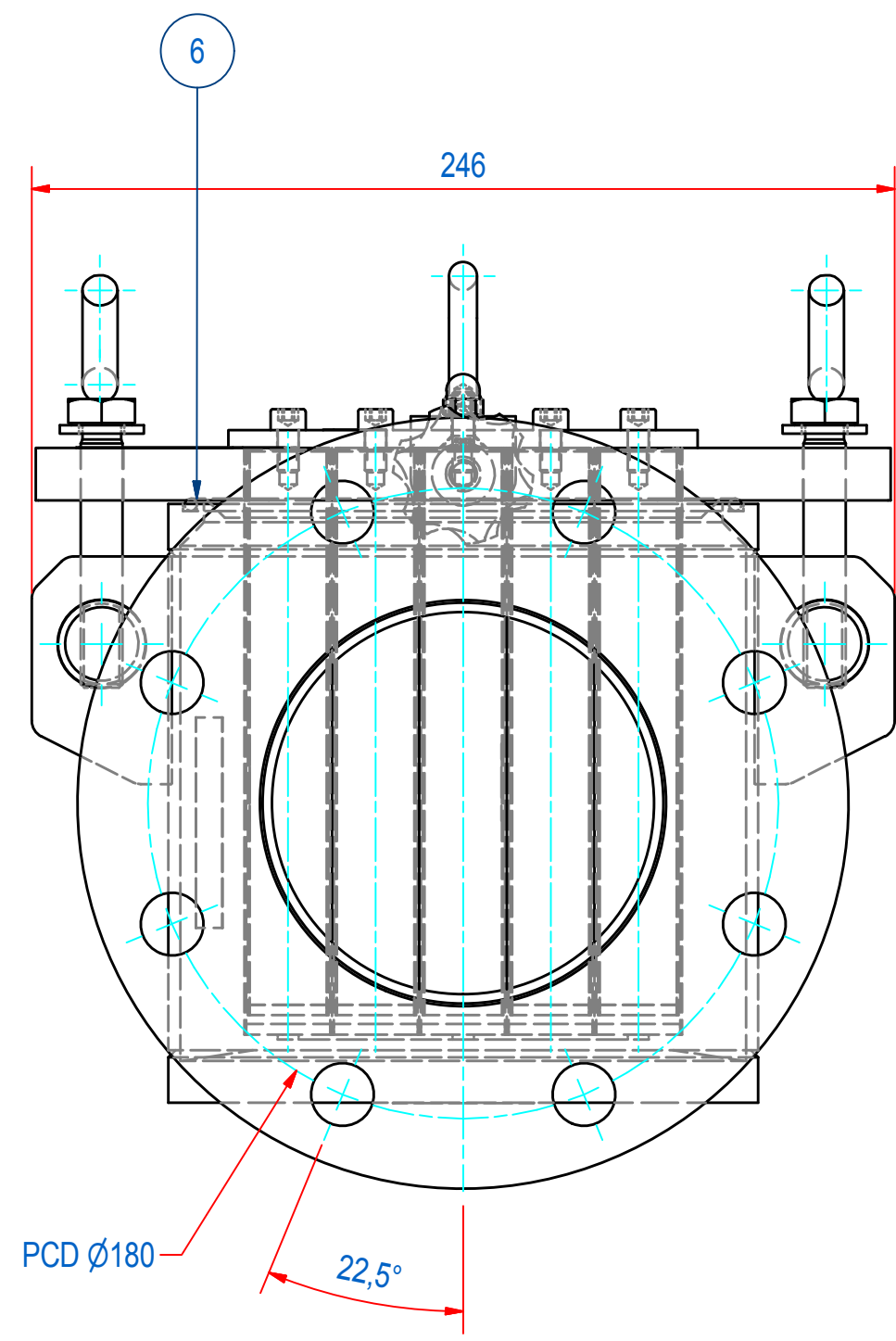
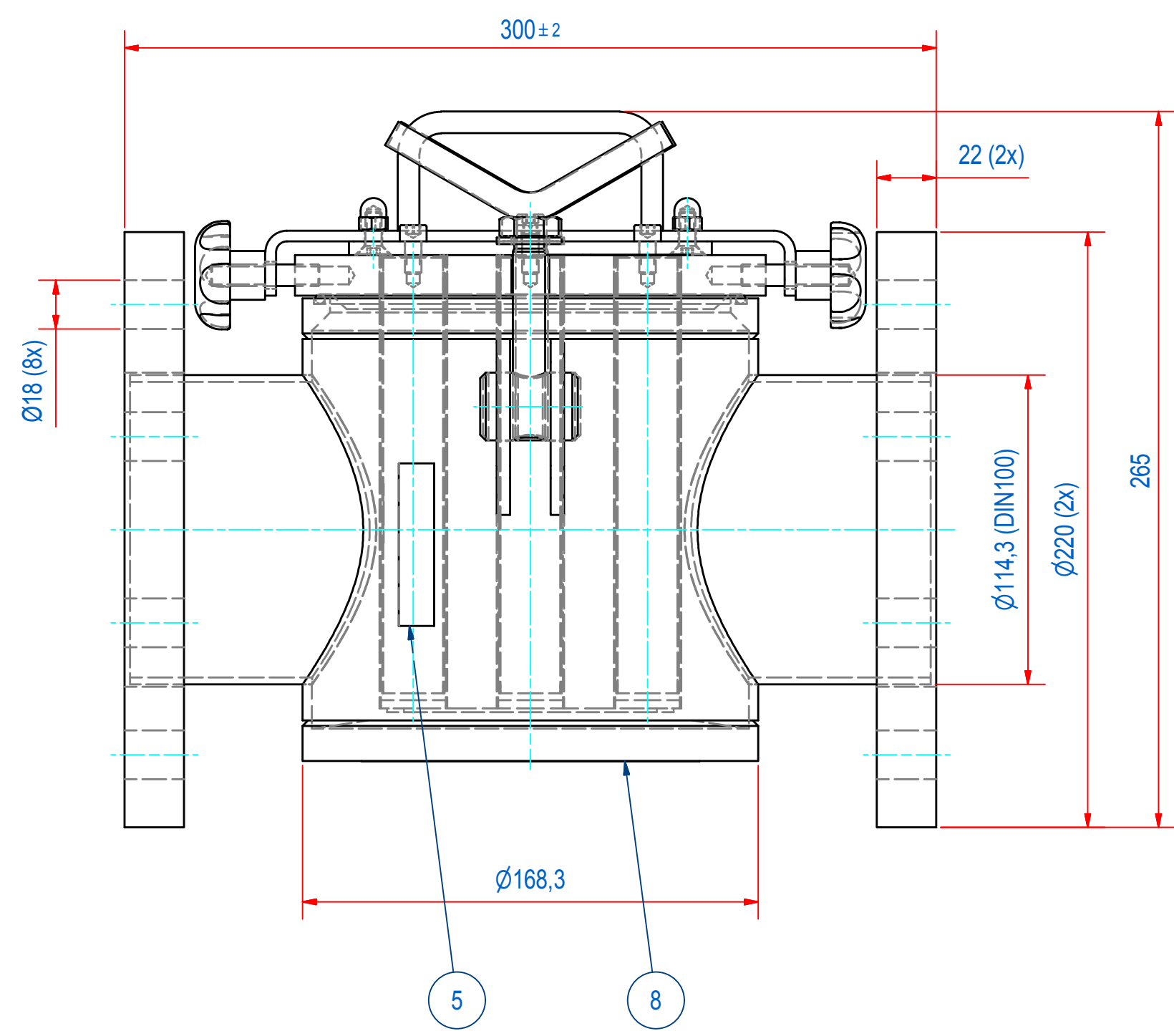
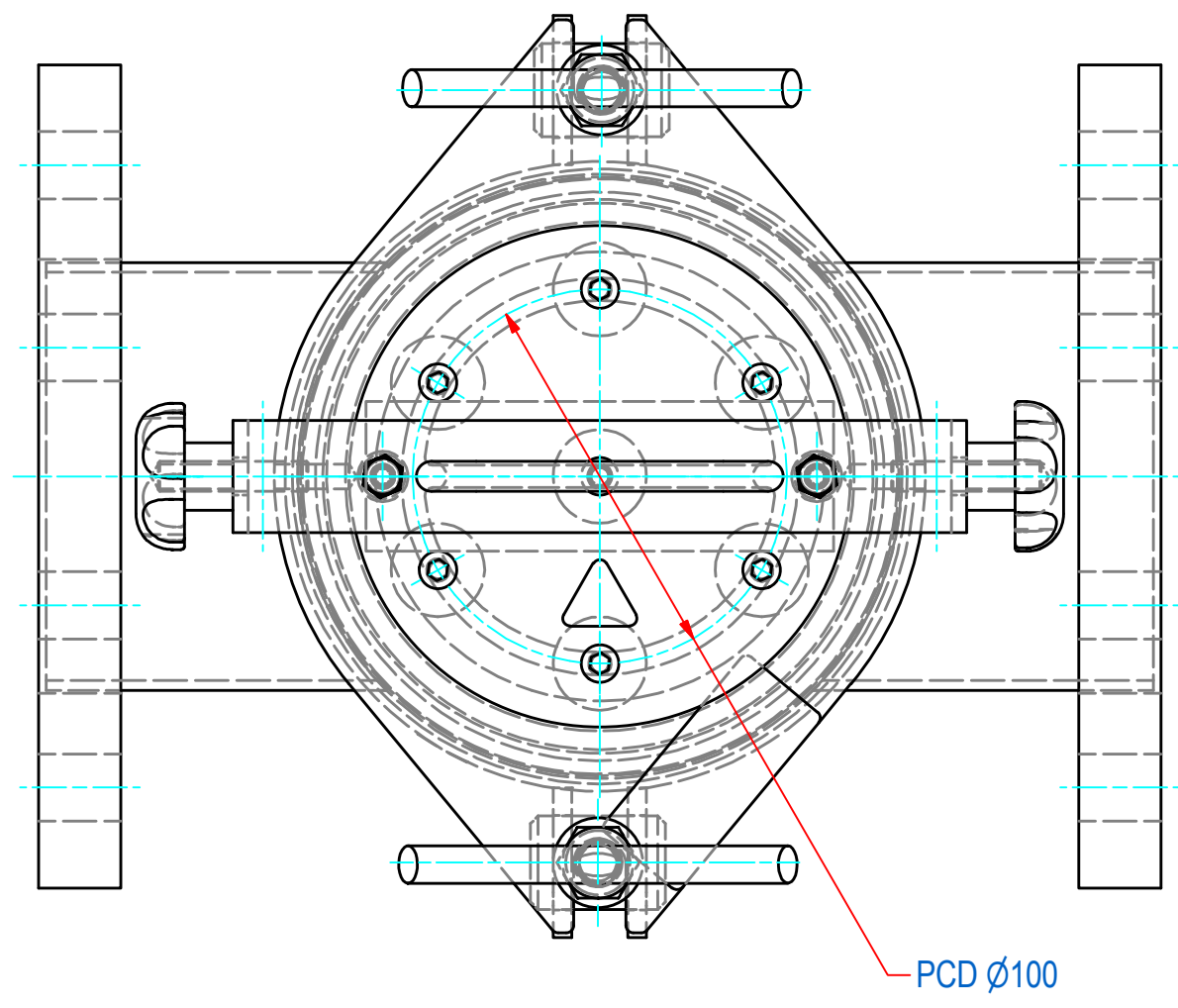


REV	DATE	BY	DESCRIPTION
-	24-7-2013	BS	NEW VAULT, NOTHING CHANGED, IS EQUAL TO OLD REVISION E
A	6-6-2018	CR	TYPE PLATE AND WARNING STICKERS ADDED



ITEM	QTY	PART NUMBER	DESCRIPTION	Dimensions
8	1	1215.00407	NAME PLATE GOUDSMIT 125x40	
7	1	1000.20080	STICKER MAGNETIC FIELD 20mm	
6	1	78.1152350	O-RING $\varnothing 152 \times \varnothing 3,5$ EC1935	
5	1	E0086456	STICKER SFN-080 GSM	
4	1	E0086453	TYPE PLATE FILTER SFN	
3	2	M66813	FS000 TOGGLE M12	
2	1	M21556	FILTER TOP EXTRACTOR DN100	
1	1	M37851	FILTER HOUSE EN1092-1 DN100	

RAW MAT.	QTY	MAT. NUMBER	MAT. DESCRIPTION	LENGTH (mm)	WIDTH (mm)
⊕	1				

Sheet: A2	Extra info: <i>Magnetic filter</i>	General tolerance: ISO 2768 - mK
Drawn: BS	Weight (kg): 23,9	Drawn according: ISO268; ISO1101; ISO2553
Date: 24-7-2013		Status: Standard
Spare part: False		Customer reference number:
Quick search: FSN100	© All rights reserved. Reproduction is not permitted without written permission of GOUDSMIT Magnetic Systems BV	File number: SSFN010038 Rev: A
Description: FSN-100-IF-07E-HT-F1m-S-B-B		Part number: SSFN010038 Rev: A