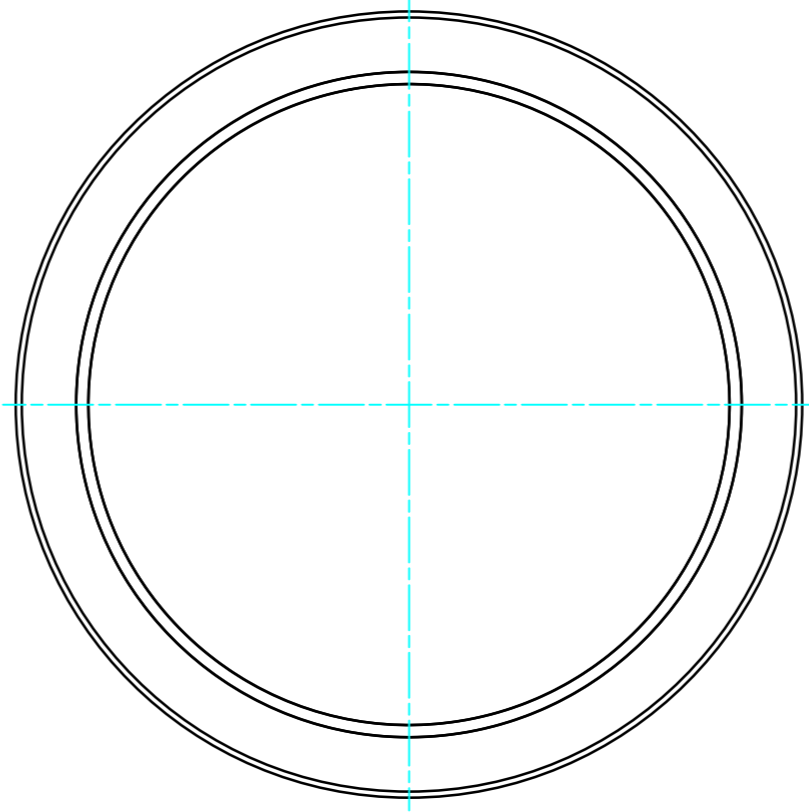
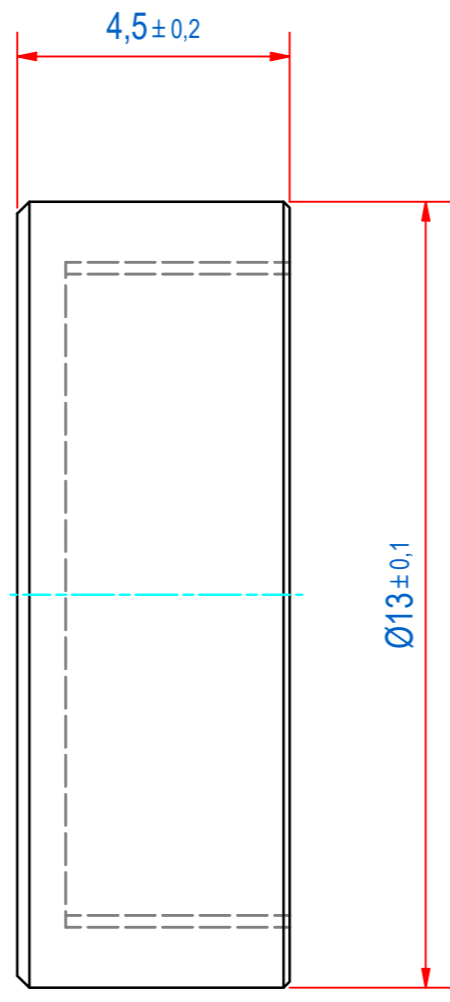
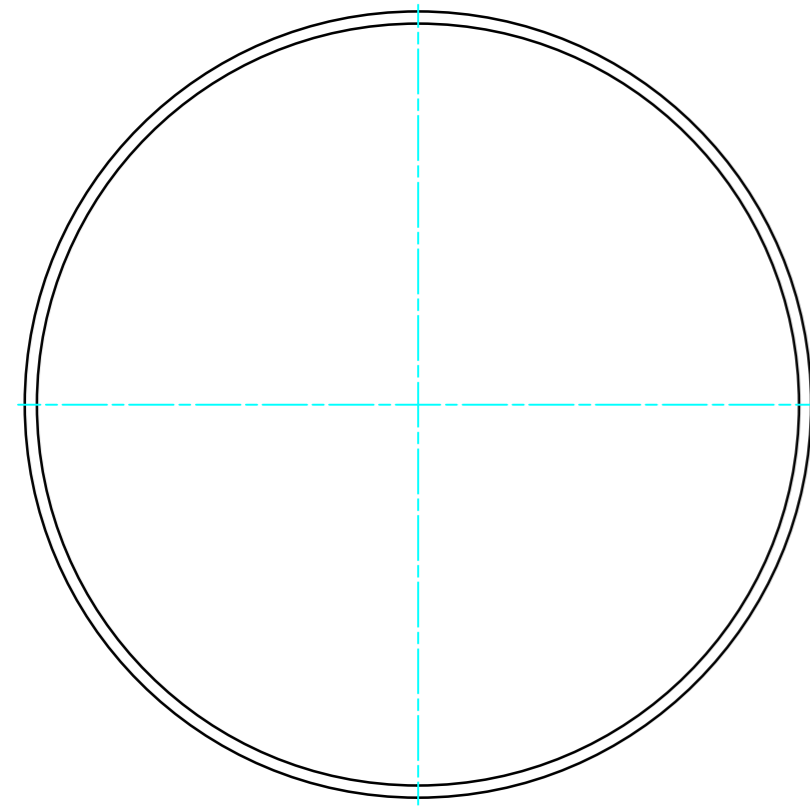



DOC.NR.	REV	DATE	BY	DESCRIPTION
E0121237	-	30-9-2019	PV	ORIGINAL DRAWING



SURFACE TREATMENT: ZINC PLATED

RAW MAT.	1	Quantity	Material Number	Material Description	Length (mm)	Width (mm)
Sheet:	A2	Extra info:	POTMAGNET NEODYMIUM		General tolerance: ISO 2768- mK	
Drawn:	PV	Weight (kg):	0,005		Drawn according: ISO268; ISO1101; ISO2553	
Date:	23-8-2019	Source:			Status: Released	
Spare part:	False	Quick search:	POTGM		Document number:	Doc.Rev:
Description:	PM-BA-N-SG-D13x4.5				E0121237	-
					Part number:	Rev:
					GM17404	-