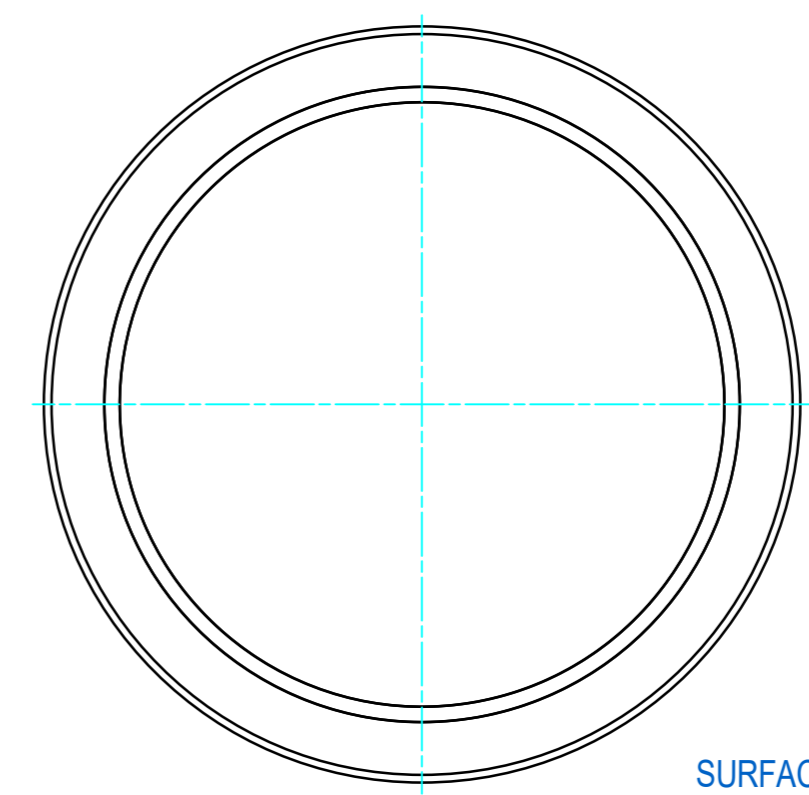
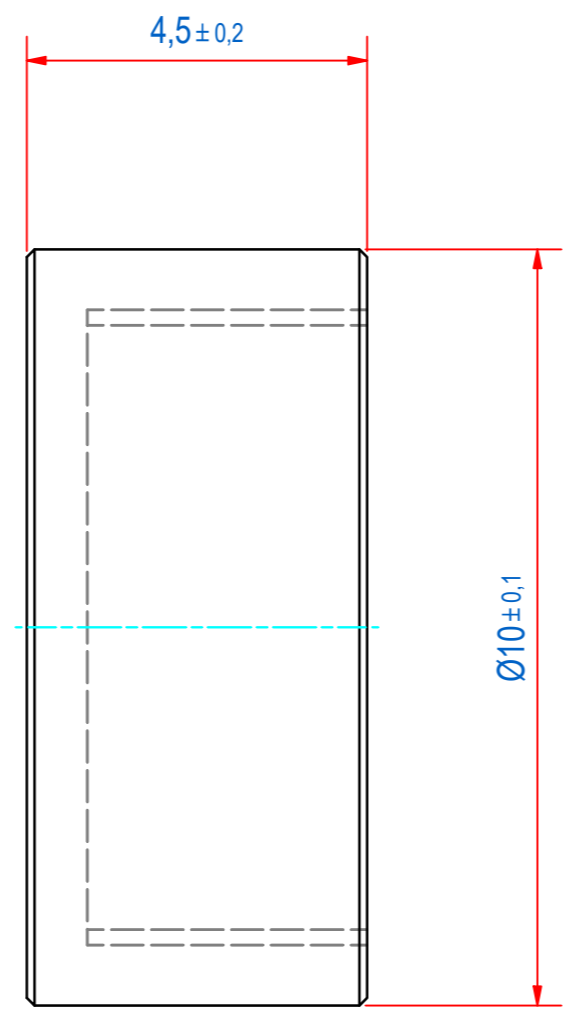
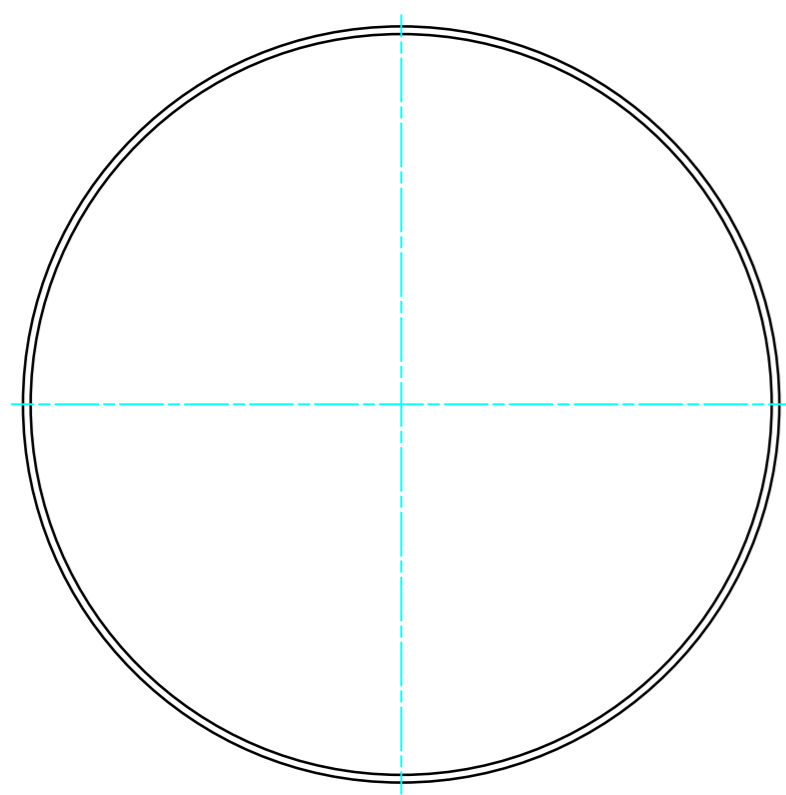


DOC.NR.	REV	DATE	BY	DESCRIPTION
E0121227	-	30-9-2019	PV	ORIGINAL DRAWING



SURFACE TREATMENT: ZINC PLATED

RAW MAT.	1	Quantity	Material Number	Material Description	Length (mm)	Width (mm)
Symbol	Sheet: A2	Extra info:	POTMAGNET NEODYMIUM		General tolerance: ISO 2768- mK	
Drawn: PV	Weight (kg): 0,003	Date:	23-8-2019		Drawn according: ISO268; ISO1101; ISO2553	
Spare part: False	Source:	Date:	23-8-2019		Status: Released	
Quick search: POTGM	Description:		PM-BA-N-SG-D10x4.5		Customer reference number:	Doc.Rev: -
						Document number: E0121227
				<small>© All rights reserved. Reproduction is not permitted without written permission of GOUDSMIT Magnetic Systems BV</small>		Part number: GM17403