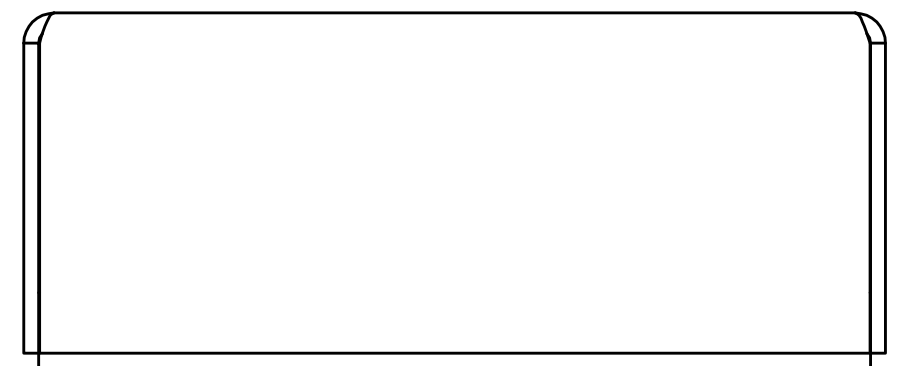
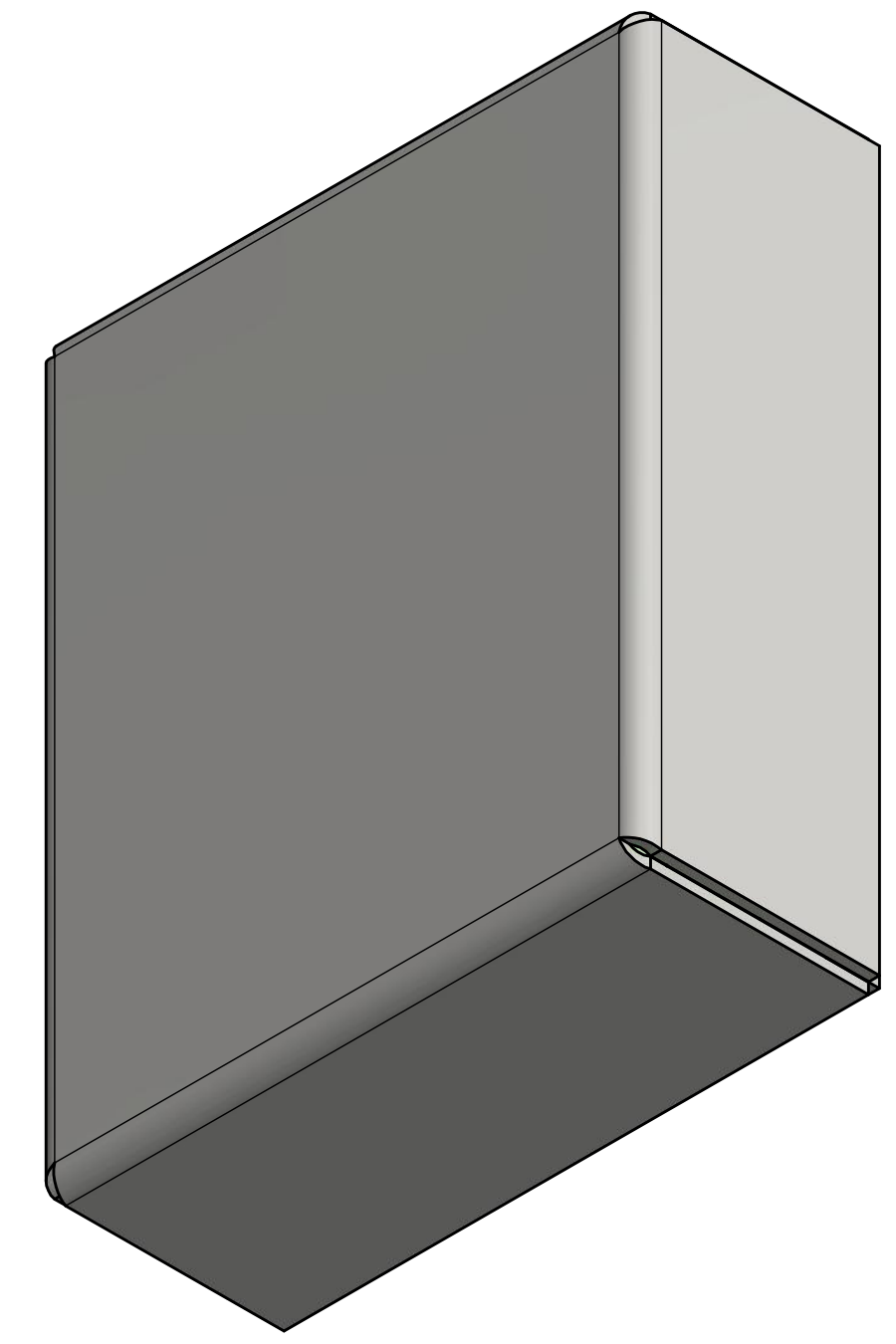
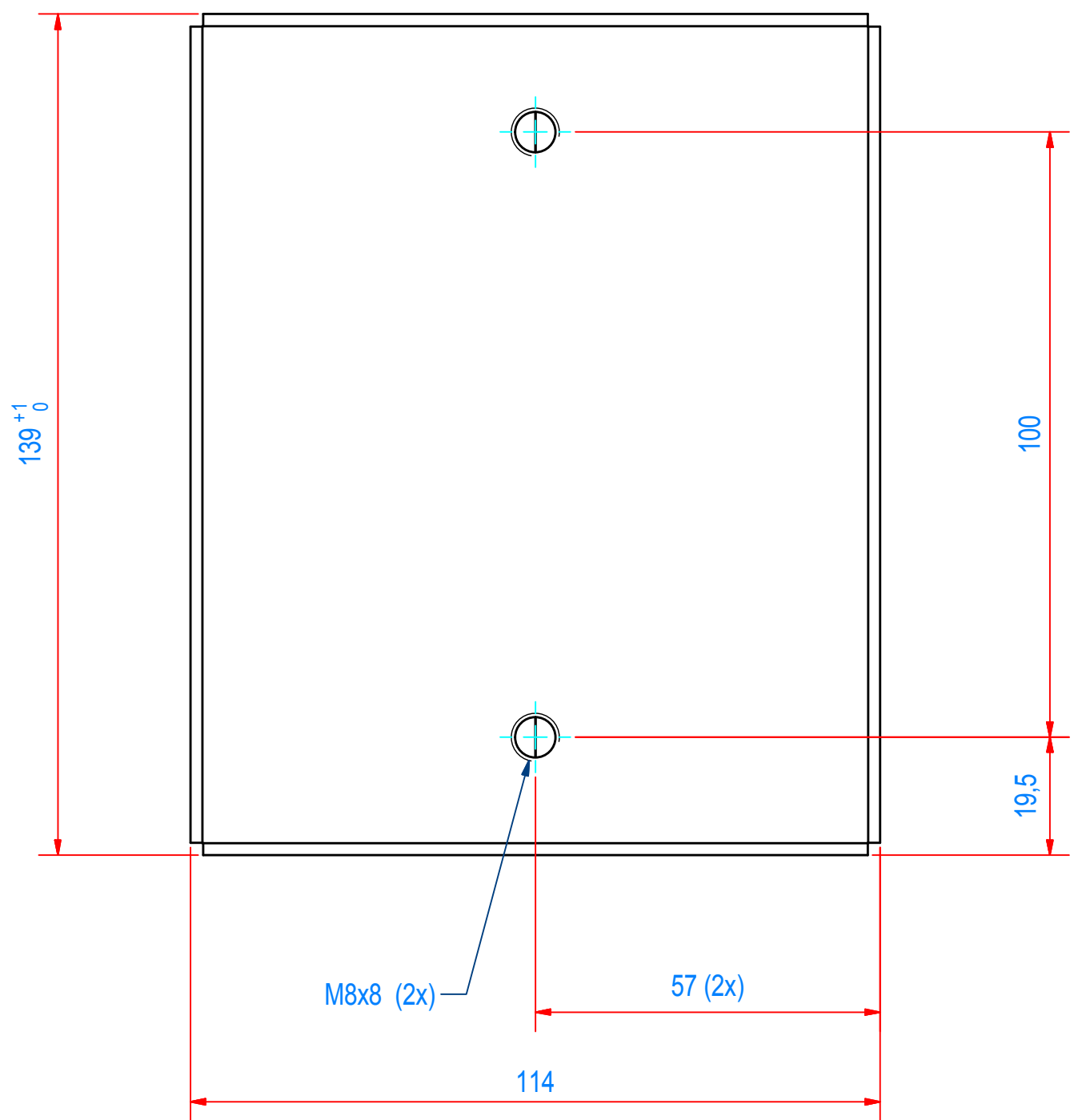
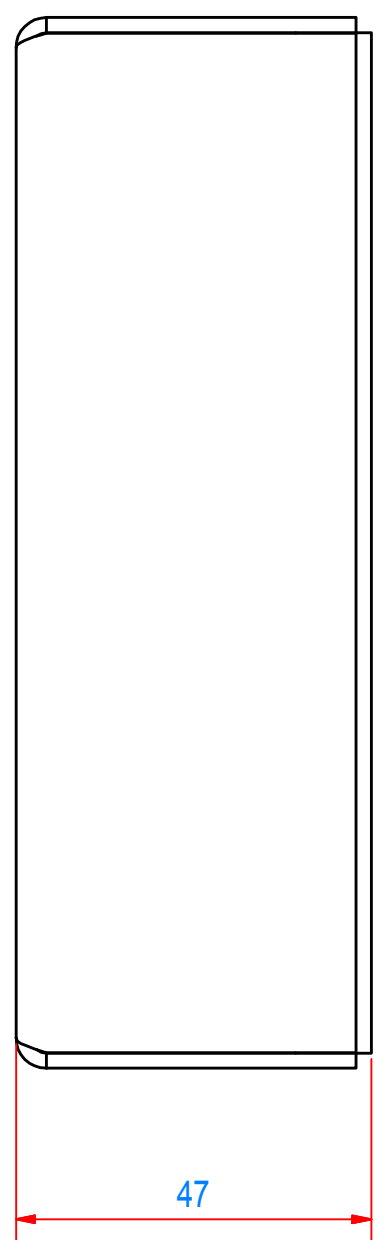
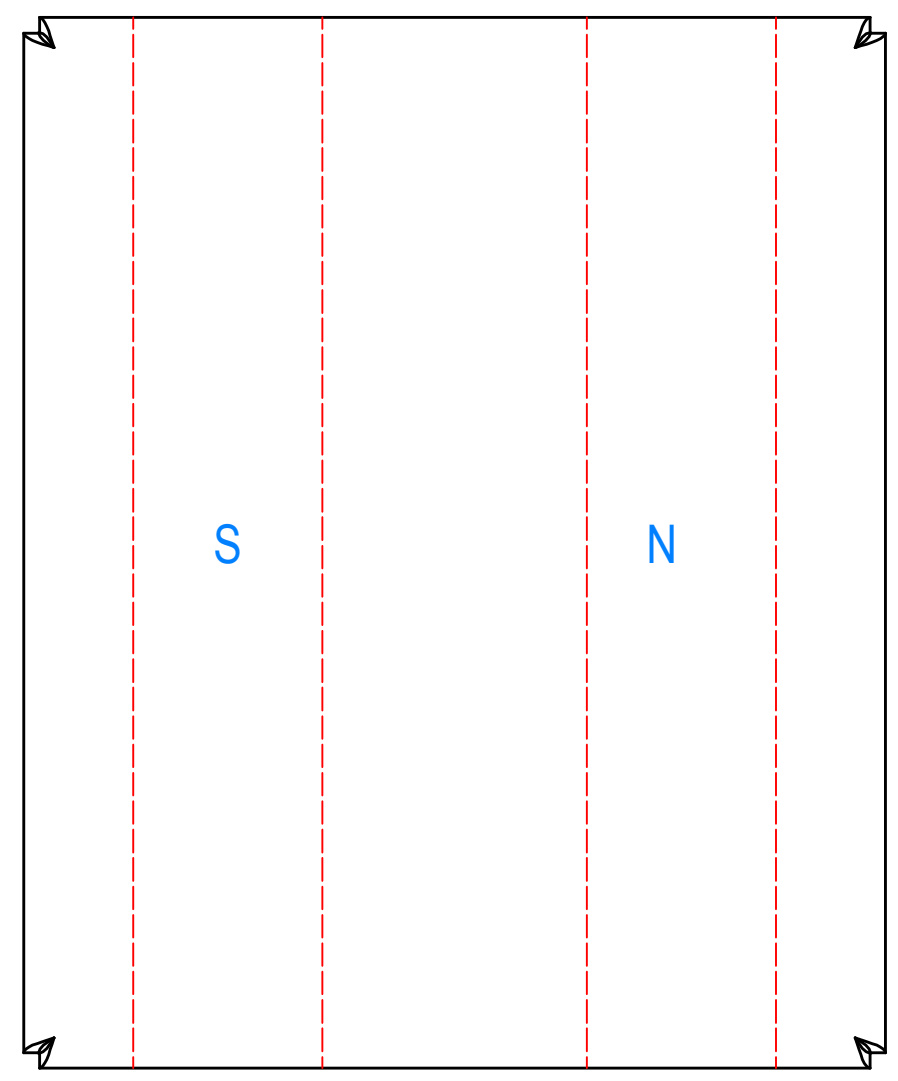
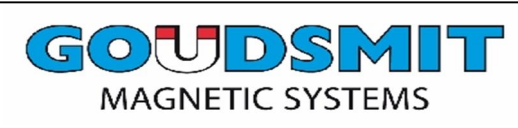


REV	DATE	BY	DESCRIPTION
-	15-3-2013	PB	NEW VAULT, NOTHING CHANGED. OLD REV WAS A



ITEM	QTY	PART NUMBER	DESCRIPTION	Dimensions
2	1	E0003599	COVER	
1	1	E0003600	MAGN. LAY-OUT	
RAW MAT.	1			
	QTY	MAT. NUMBER	MAT. DESCRIPTION	LENGTH (mm) WIDTH (mm)
Sheet: A2		Extra info: SHEET SEPARATOR		General tolerance: ISO 2768 - mK
Drawn: PB	Weight (kg): 3,2			Drawn according: ISO268; ISO1101; ISO2553
Date: 15-3-2013			Status: Standard	
Spare part: False			Customer reference number:	
Quick search: TBSP02			File number: TBSP020140	Rev: -
Description: HSS-F-BA-114x047-0140-B			Part number: TBSP020140	Rev: -



© All rights reserved. Reproduction is not permitted without written permission of GOUDSMIT Magnetic Systems BV