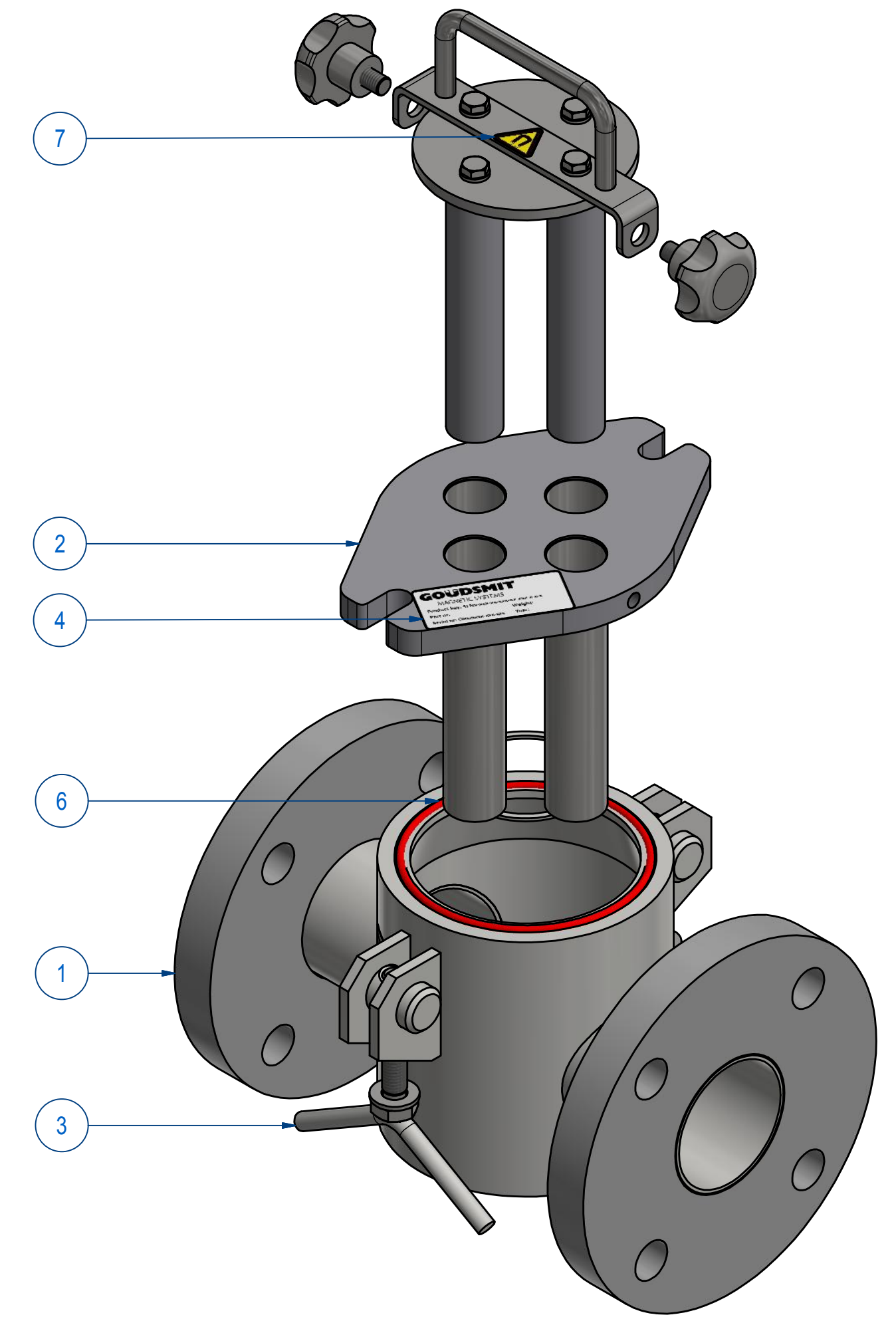
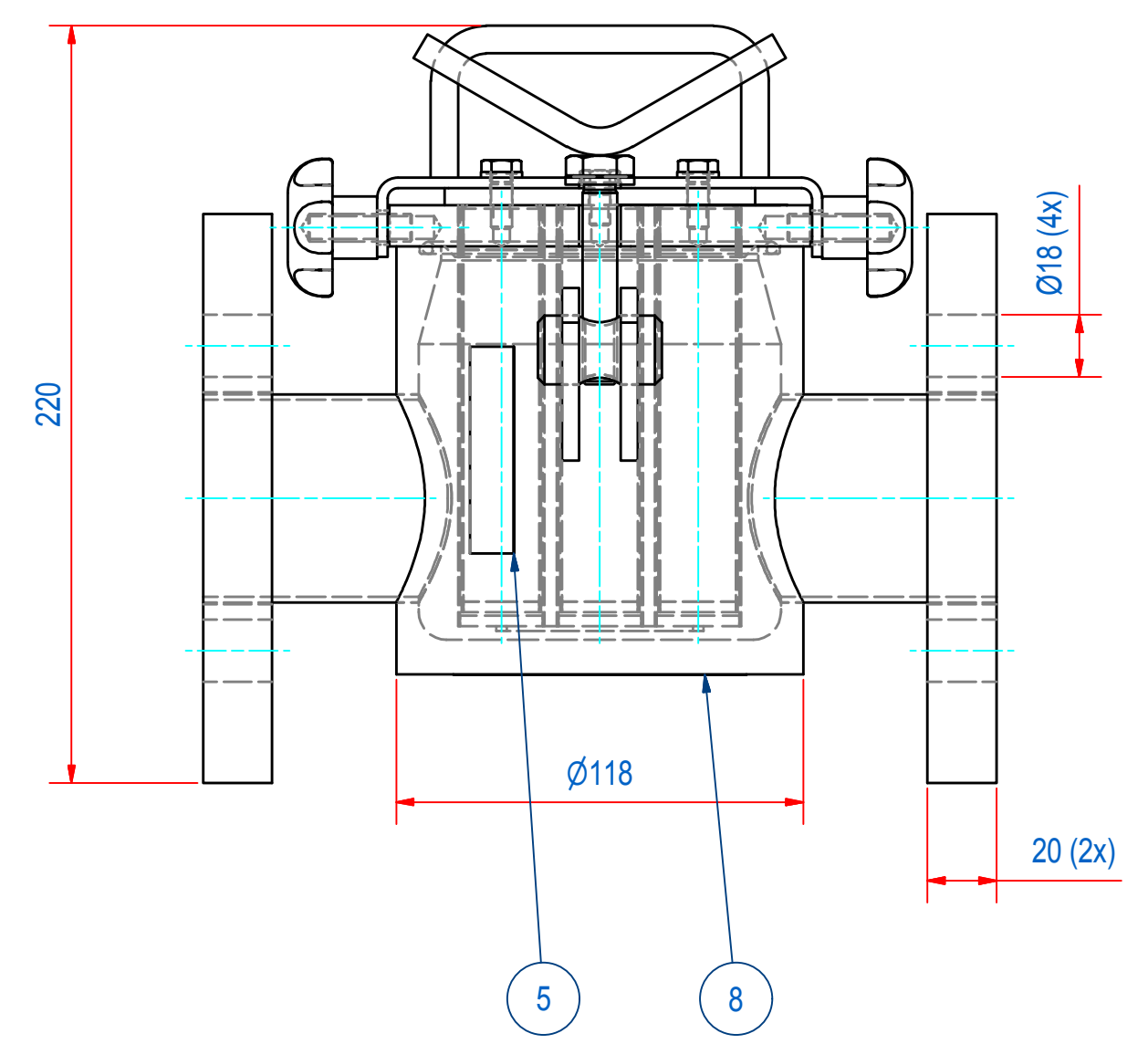
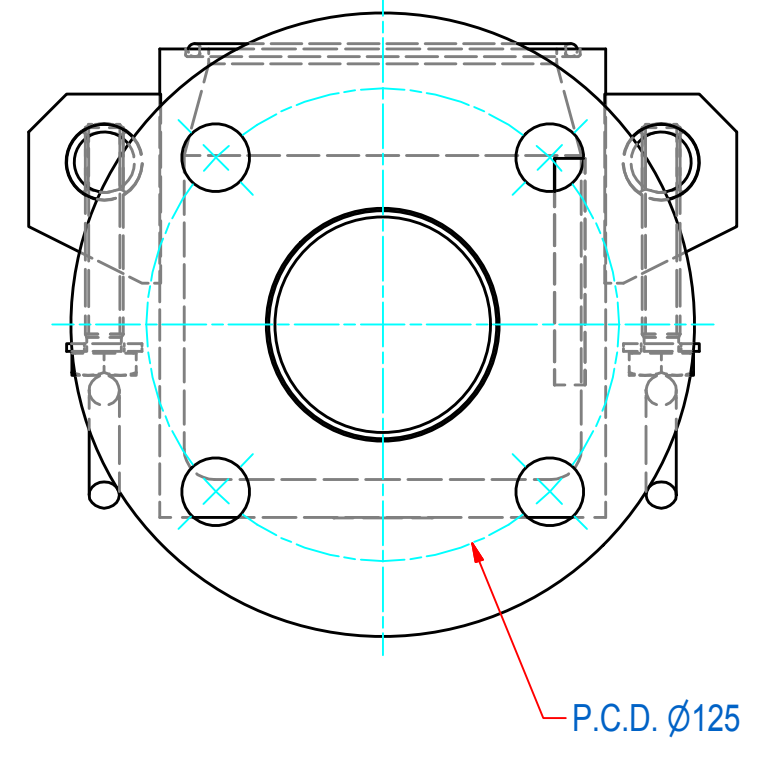
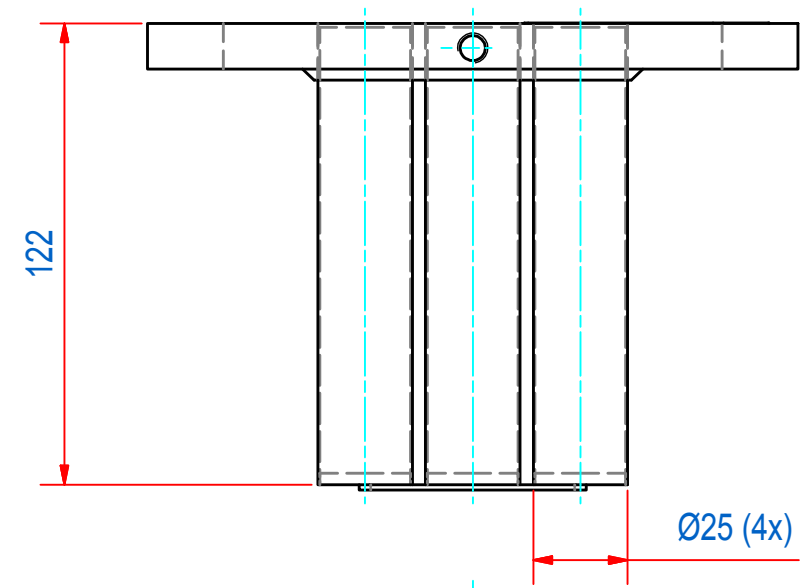
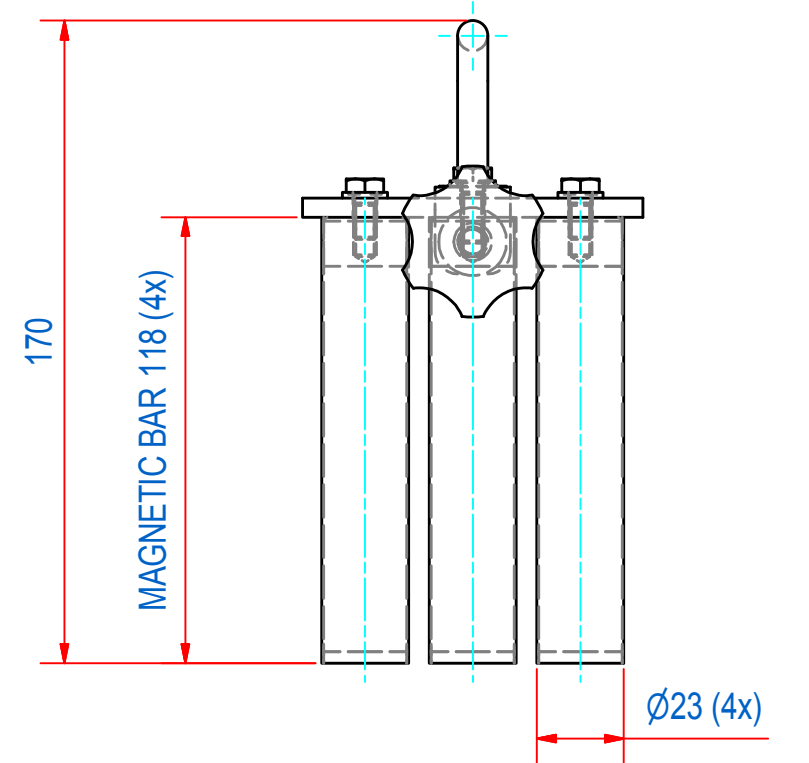
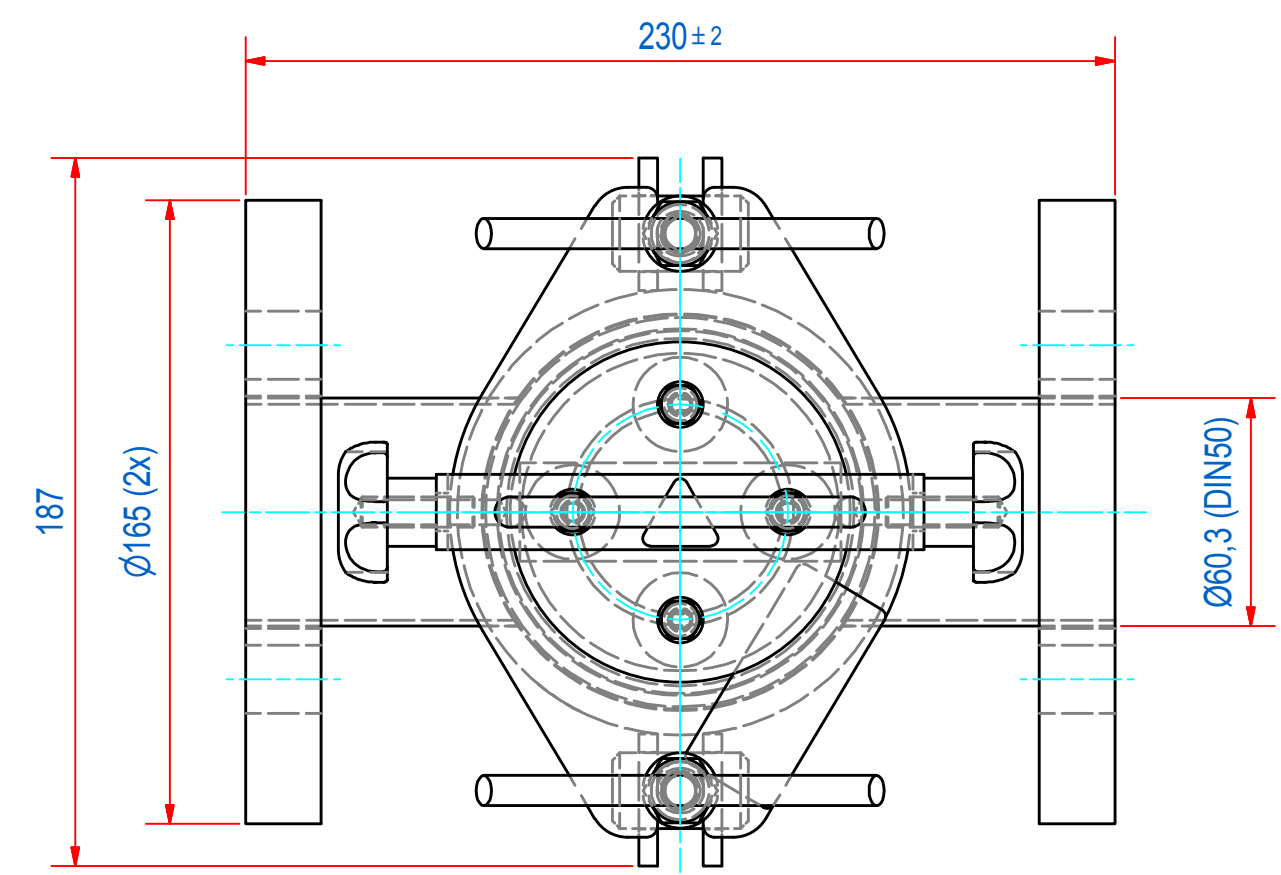


REV	DATE	BY	DESCRIPTION
-	29-4-2013	CR	NEW REVISION VAULT, NOTHING CHANGED, OLD REV WAS F
A	13-4-2018	CR	TYPE PLATE AND WARNING STICKERS ADDED



ITEM	QTY	PART NUMBER	DESCRIPTION	Dimensions
8	1	1215.00406	NAME PLATE GOUDSMIT 85x26	
7	1	1000.20080	STICKER MAGNETIC FIELD 20mm	
5	1	E0093605	STICKER SFN-050 GSM	
4	1	E0086453	TYPE PLATE FILTER SFN	
3	2	M66810	FS000 TOGGLE M10	
6	1	78.1096300	O-RING Ø96xØ3 EC1935	
2	1	M21525	TOP EXTRACTOR DN40/50/65 ASSY	
1	1	M37554	FILTER HOUSE EN1092-1 PN10 DN50	

RAW MAT.	QTY	MAT. NUMBER	MAT. DESCRIPTION	LENGTH (mm)	WIDTH (mm)
1	1				

Sheet: <b>A2</b>	Extra info: <i>Magnetic filter</i>	General tolerance: <b>ISO 2768- mK</b>
Drawn: <i>CR</i>	Weight (kg): <b>13,1</b>	Drawn according: <b>ISO268; ISO1101; ISO2553</b>
Date: <b>29-4-2013</b>		Status: <b>Standard</b>
Spare part: <b>False</b>		Customer reference number:
Quick search: <b>FSN050</b>	© All rights reserved. Reproduction is not permitted without written permission of GOUDSMIT Magnetic Systems BV	File number: <b>SSFN005038</b>
Description: <b>FSN-050-IF-04E-HT-F1m-S-B-B</b>		Part number: <b>SSFN005038</b>