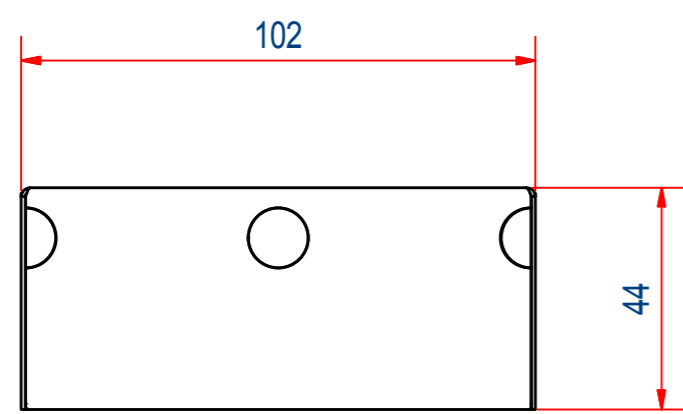
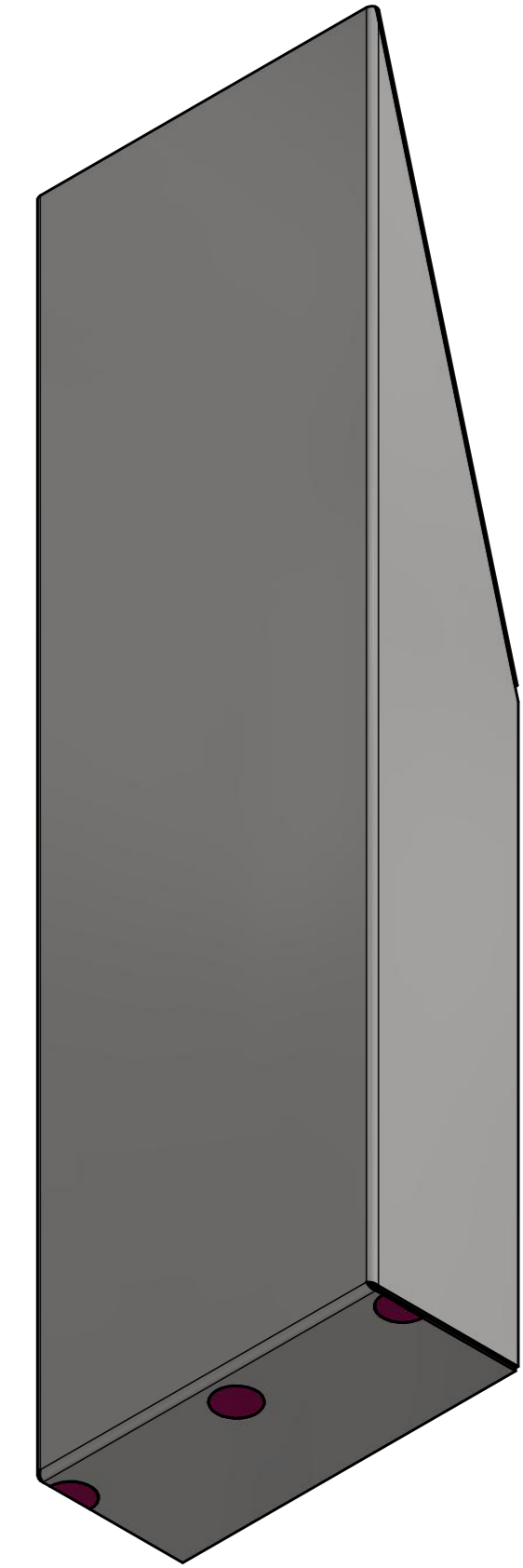
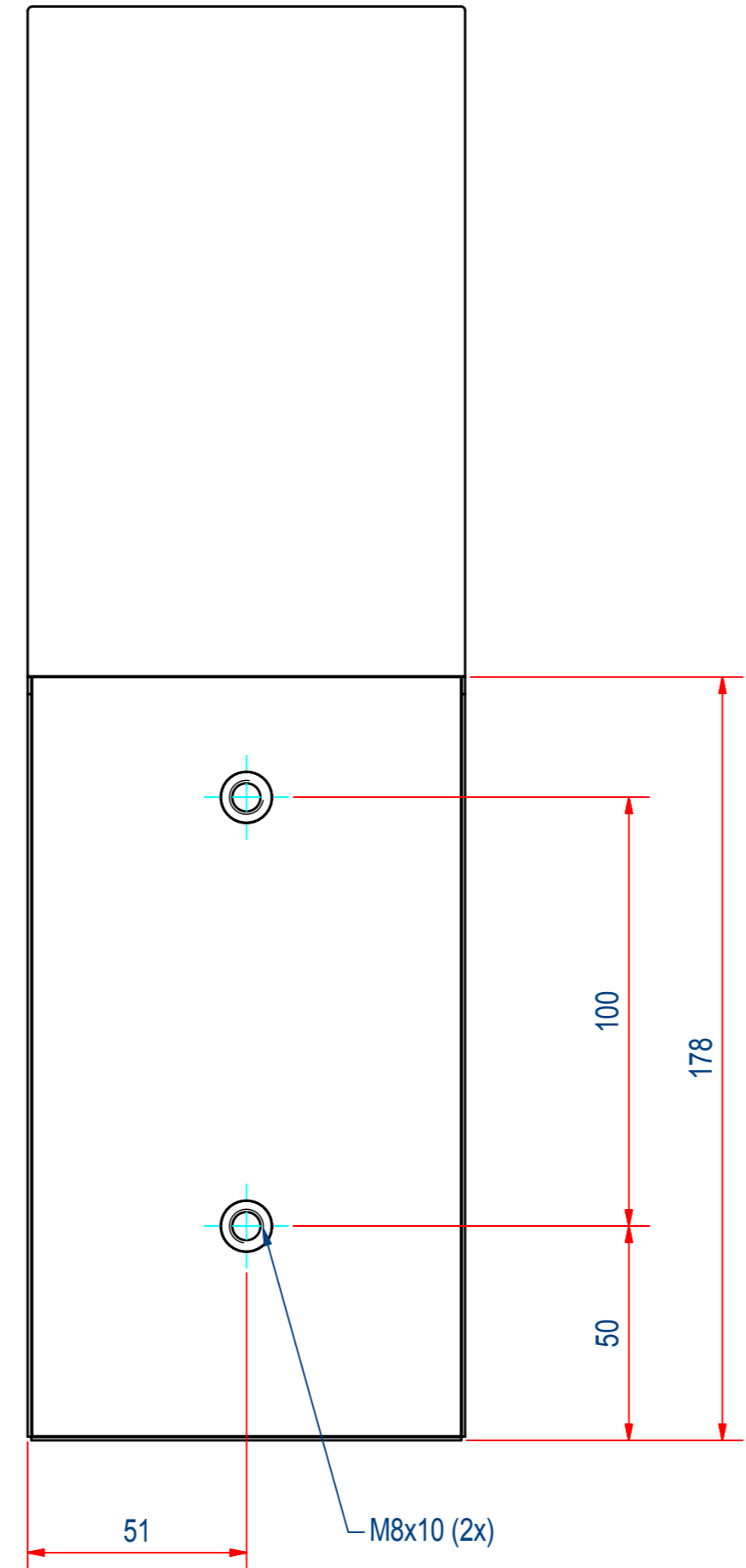
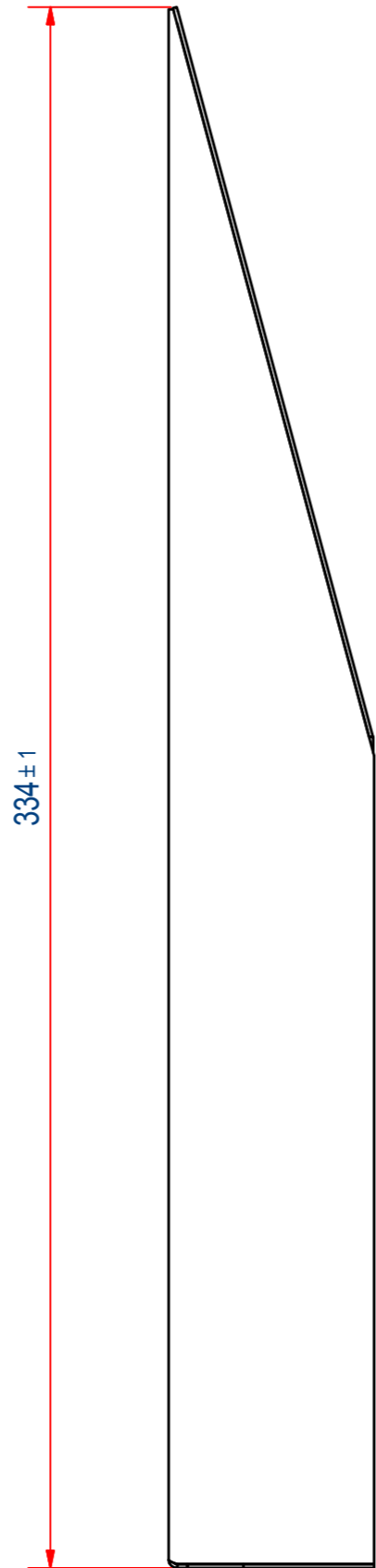
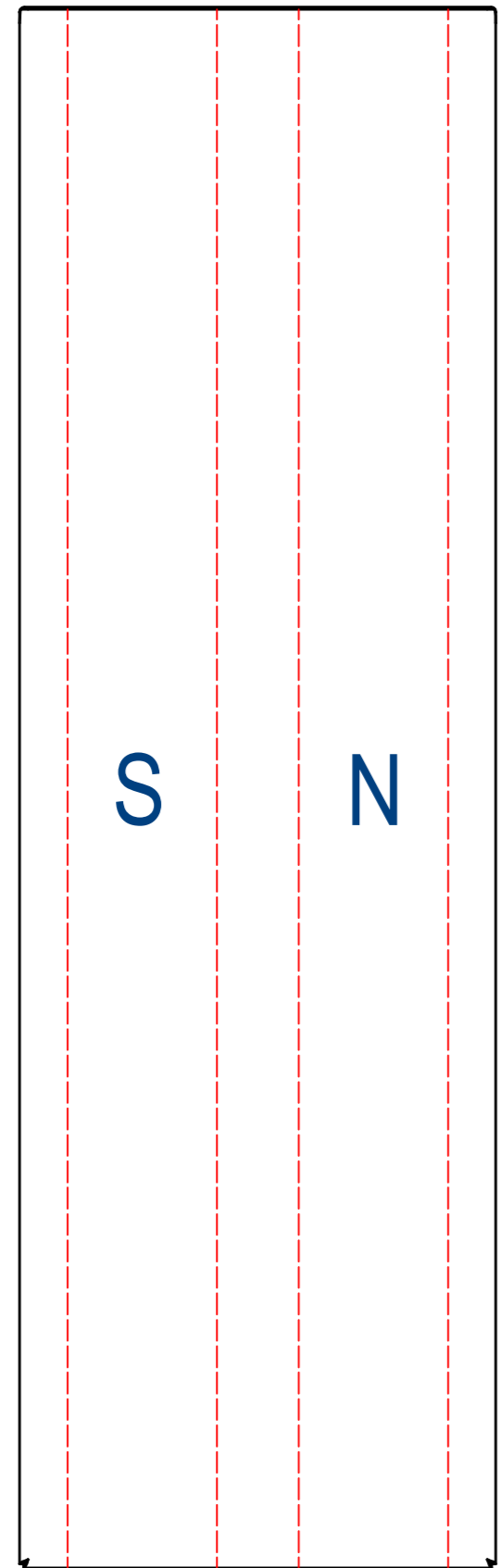


REV	DATE	BY	DESCRIPTION
-	8-10-2013	PB	NEW VAULT, NEW REVISION. NOTHING CHANGED. OLD REV WAS C



ITEM	QTY	PART NUMBER	DESCRIPTION	Dimensions
4	1	E0008934	COVER PART	
3	1	E0008824	MOULDING TB-54	
2	1	E0008907	COVER	
1	1	E0008939	MAGN. LAY-OUT	

RAW MAT.	QTY	MAT. NUMBER	MAT. DESCRIPTION	LENGTH (mm)	WIDTH (mm)
	1				

Sheet: A2	Extra info: REINFORCED WATERTIGHT AISI	General tolerance: ISO 2768- mK
Drawn: PB	Weight (kg): 6,2	Drawn according: ISO268; ISO1101; ISO2553
Date: 8-10-2013		Status: Standard
Spare part: False		Customer reference number:
Quick search: TBBA54	© All rights reserved. Reproduction is not permitted without written permission of GOUDSMIT Magnetic Systems BV	Document number: E0025464 Doc.Rev: -
Description: HRA-F-102x44-BA-0335-R-W		Part number: TBBA033554 Rev: -