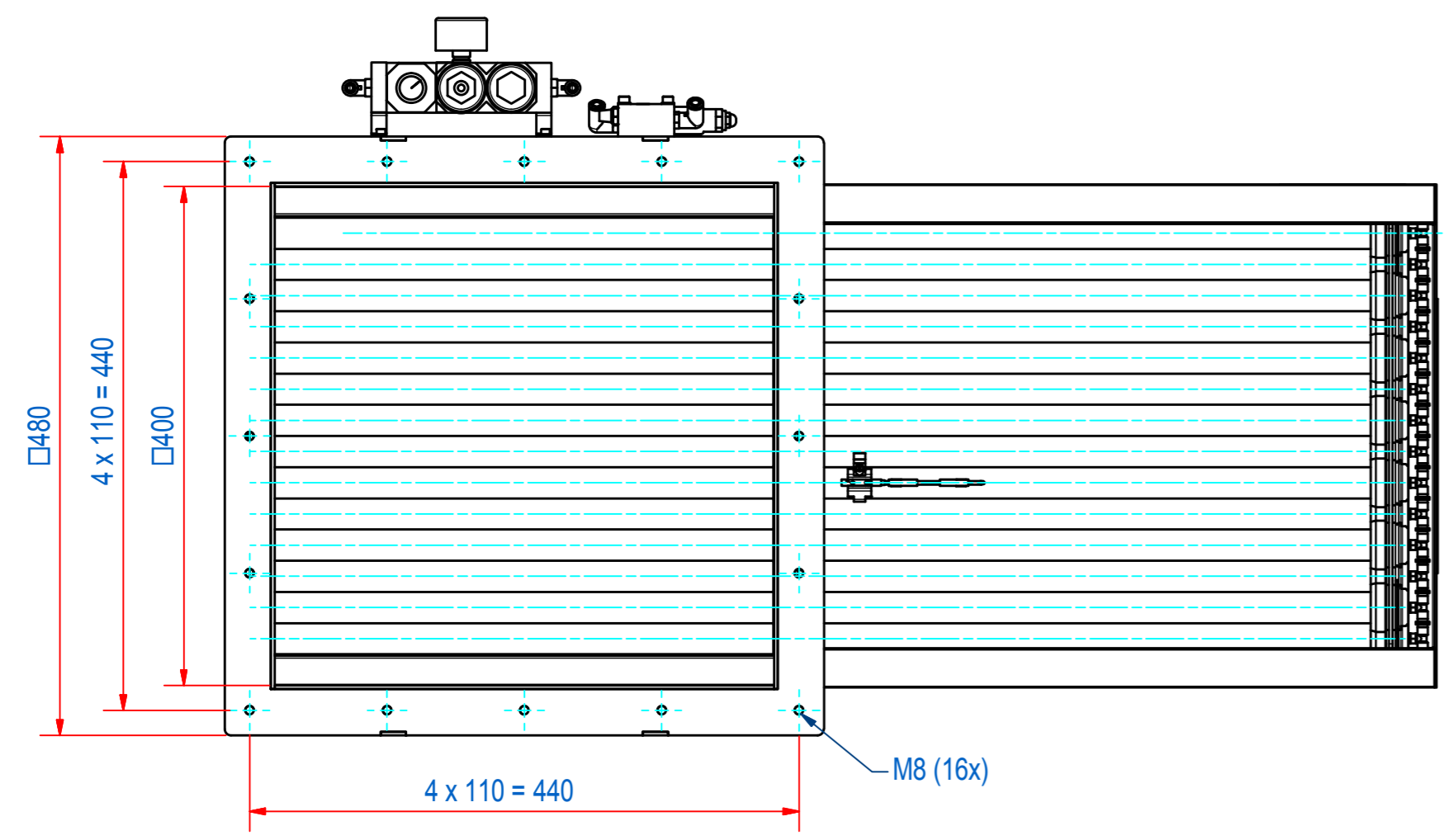
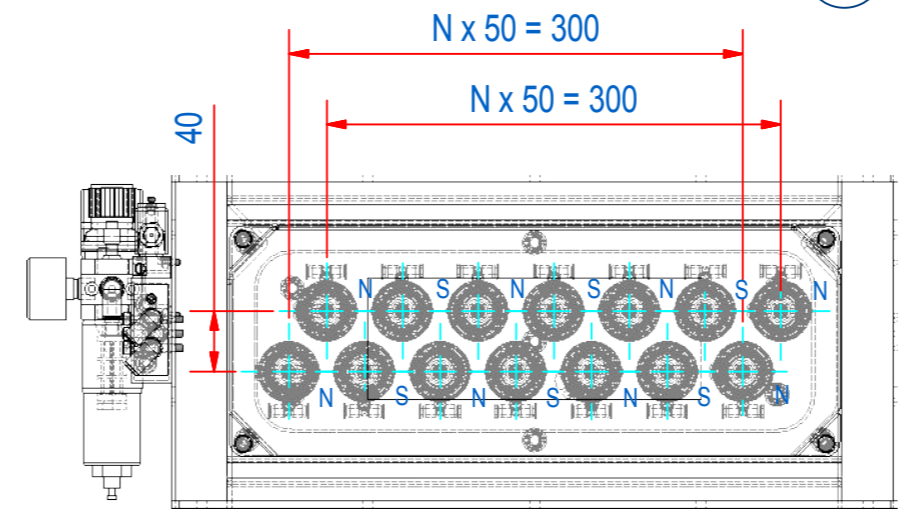
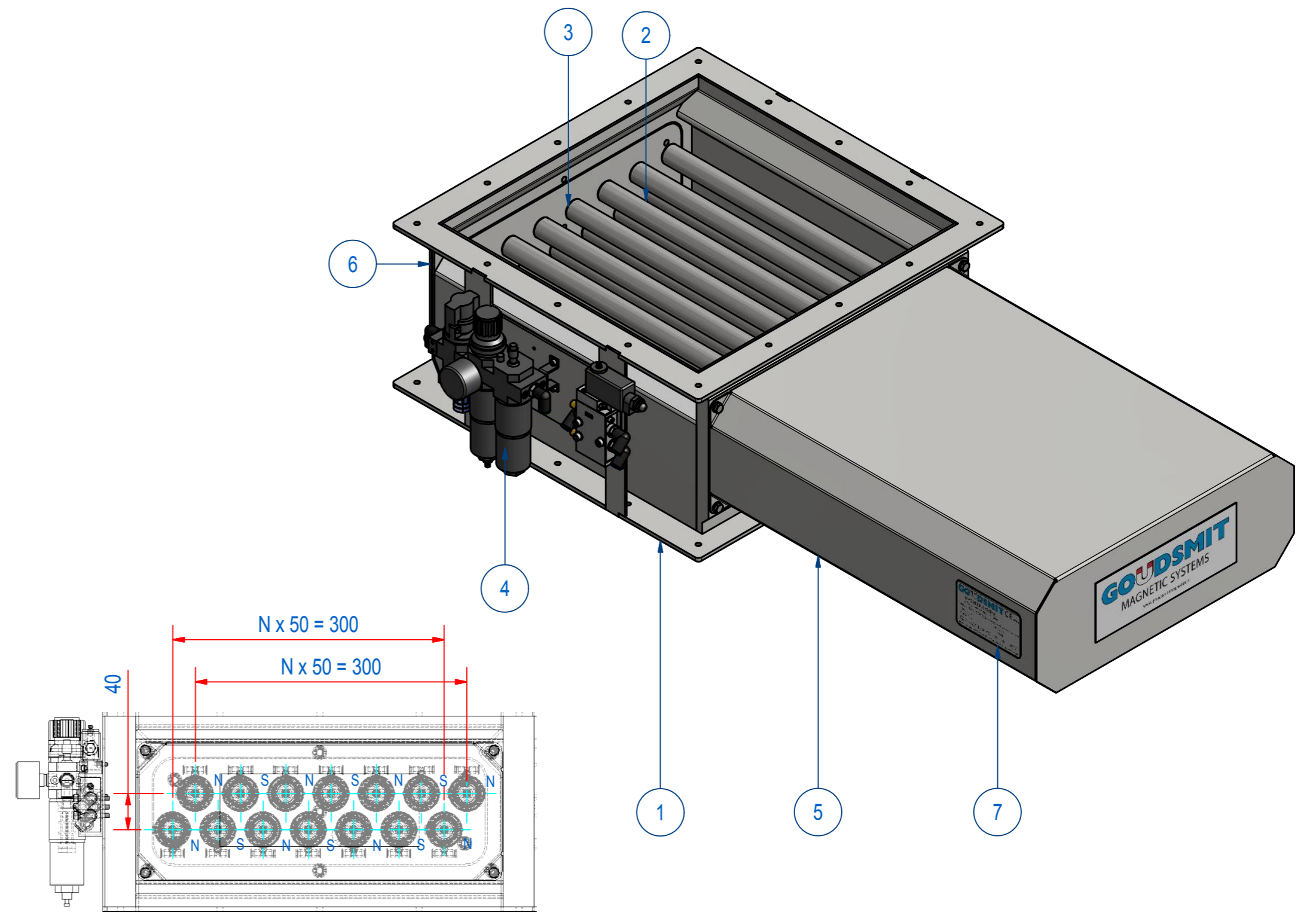
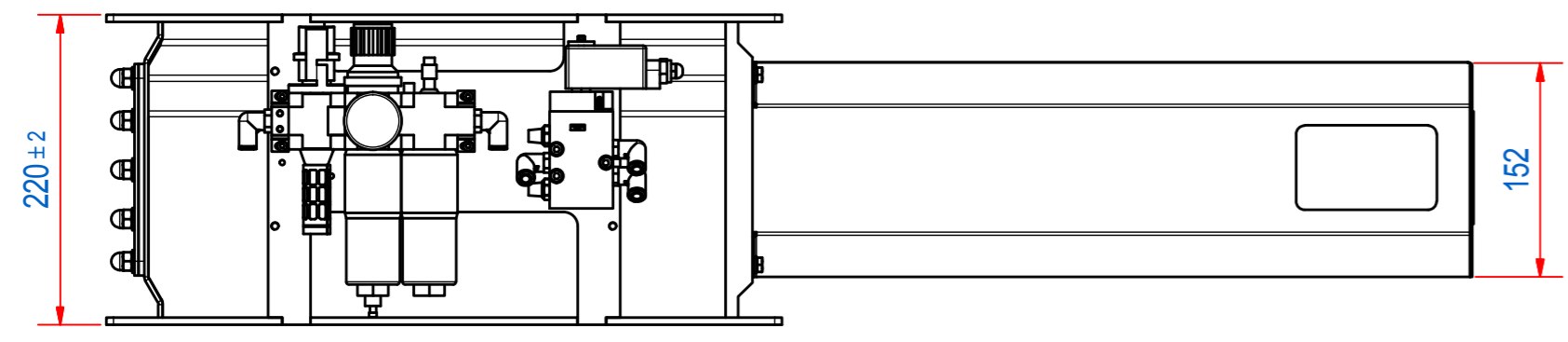
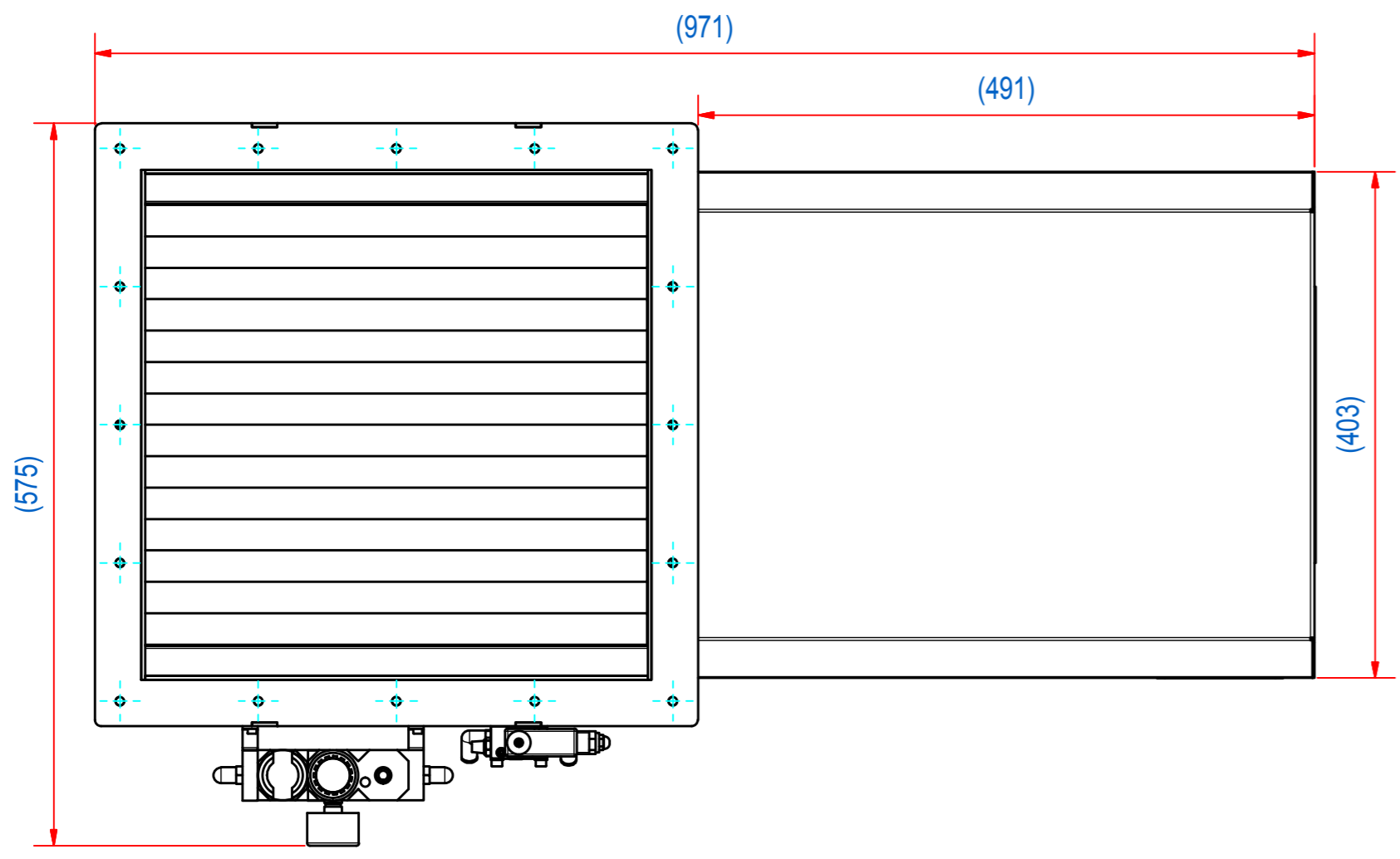


REV	DATE	BY	DESCRIPTION
-	12-2-2015	AvD	ORIGINAL DRAWING
A	9-3-2016	CR	TYPE PLATE ADDED



ITEM	QTY	PART NUMBER	DESCRIPTION	Dimensions
7	1	E0050506	SECD_ ATEX II -/2D T130°C CE	
6	1	E0028733	CD4040 INSPECTION HATCH	
5	1	E0028735	CD4040 PROTECTION COVER	
4	1	E0028591	CD000 CONTROL COMPONENTS	
3	6	E0028903	BAR-N-25-400-25-PNO-SW-B	
2	8	E0028914	BAR-N-25-400-25-PNO-NW-B	
1	1	E0028742	CD4040 WELDING HOUSE 316L	

RAW MAT.	QTY	MAT. NUMBER	MAT. DESCRIPTION	LENGTH (mm)	WIDTH (mm)
	1				

Sheet: <b>A2</b>	Extra info: <b>CLEANFLOW MAGNET STATIC</b>	General tolerance: <b>ISO 2768 - mK</b>
Drawn: <b>AVD</b>	Weight (kg): <b>60,4</b>	Drawn according: <b>ISO268; ISO1101; ISO2553</b>
Date: <b>11-2-2015</b>		Status: <b>Released</b>
Spare part: <b>False</b>		Customer reference number:
Quick search: <b>SECD4040</b>	<b>GOUDSMIT</b> MAGNETIC SYSTEMS	File number: <b>E0029173</b> Rev: <b>A</b>
Description: <b>SECD-4040-14P-N-F1H-B-P-B-E</b>	© All rights reserved. Reproduction is not permitted without written permission of GOUDSMIT Magnetic Systems BV	Part number: <b>SECD400012</b> Rev: <b>A</b>