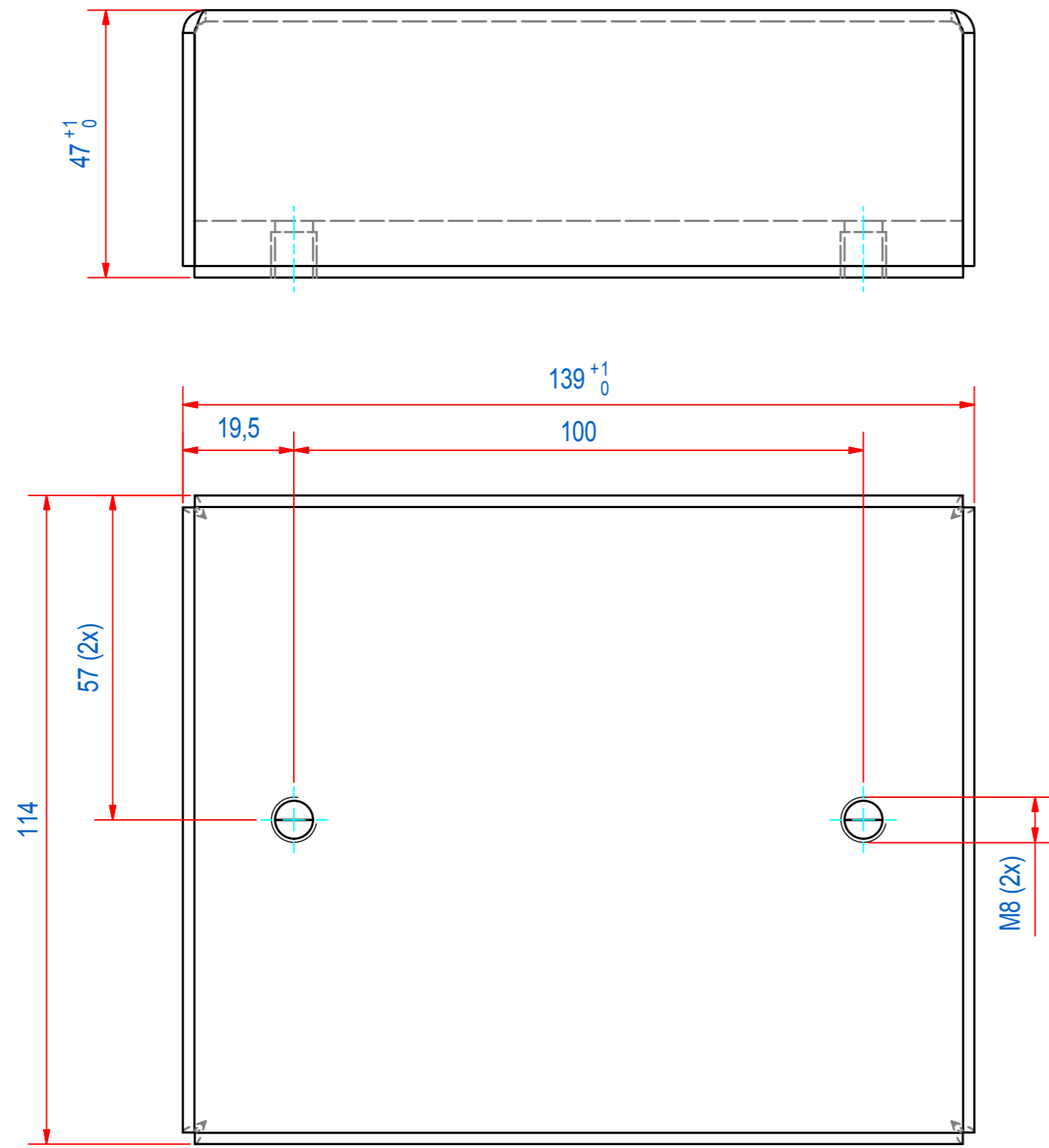
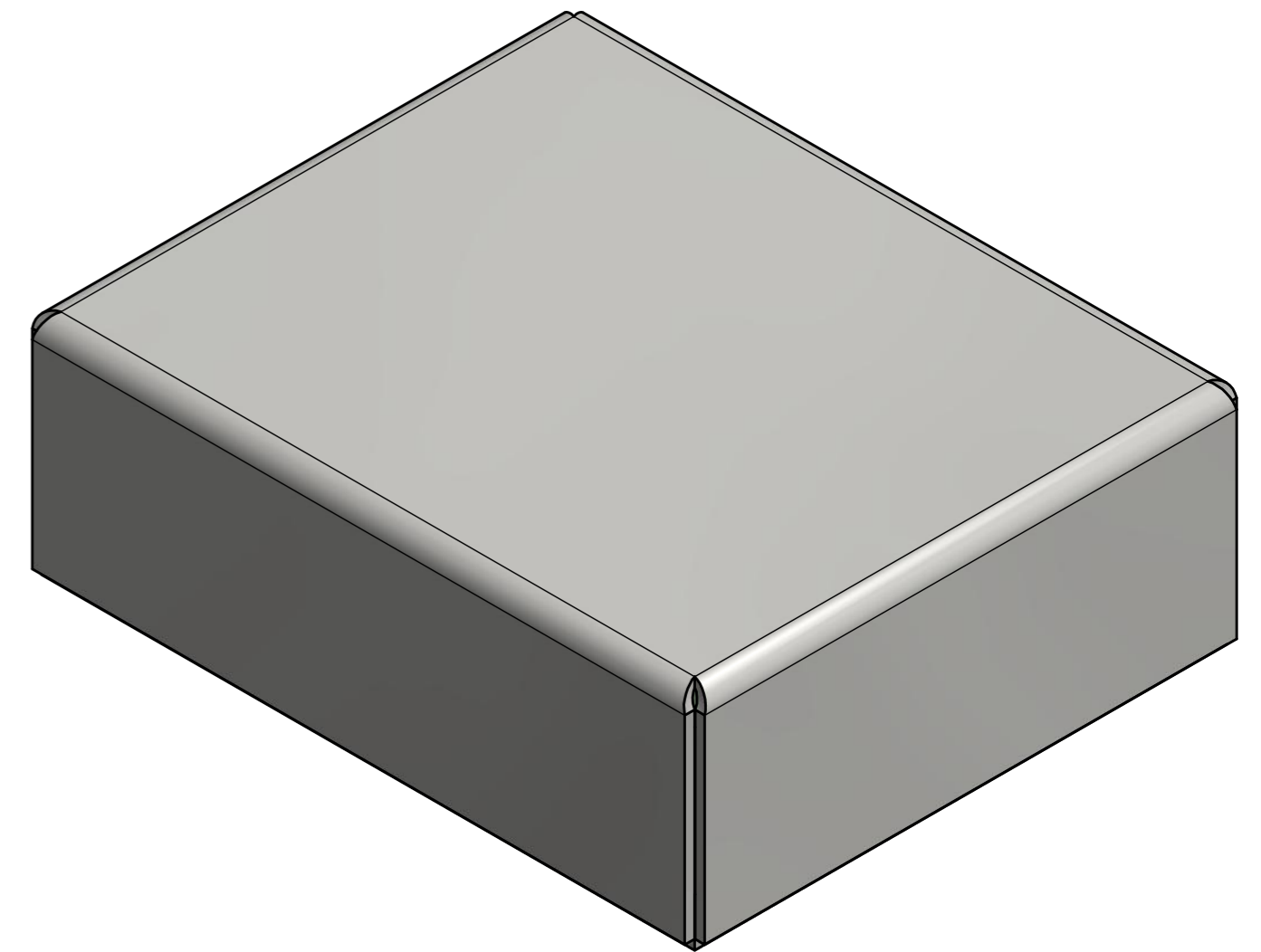


REV	DATE	BY	DESCRIPTION
-	10-4-2013	CR	NEW REVISION VAULT, NOTHING CHANGED, OLD REV WAS A



ITEM	QTY	PART NUMBER	DESCRIPTION	Dimensions	
1	1	TBSP020140	HSS-F-BA-114x047-0140-B		
RAW MAT.	1			LENGTH (mm)	WIDTH (mm)
Sheet: A2		Extra info:		General tolerance: ISO 2768- mK	
Drawn: CR		Weight (kg): 3,2		Drawn according: ISO268; ISO1101; ISO2553	
Date: 10-4-2013				Status: Standard	
Spare part: False				Customer reference number:	
Quick search: VMF01-140		<small>© All rights reserved. Reproduction is not permitted without written permission of GOUDSMIT Magnetic Systems BV</small>		File number: SVMF010140	
Description: SVM-F-114x47-0140-B-F0E				Part number: SVMF010140	