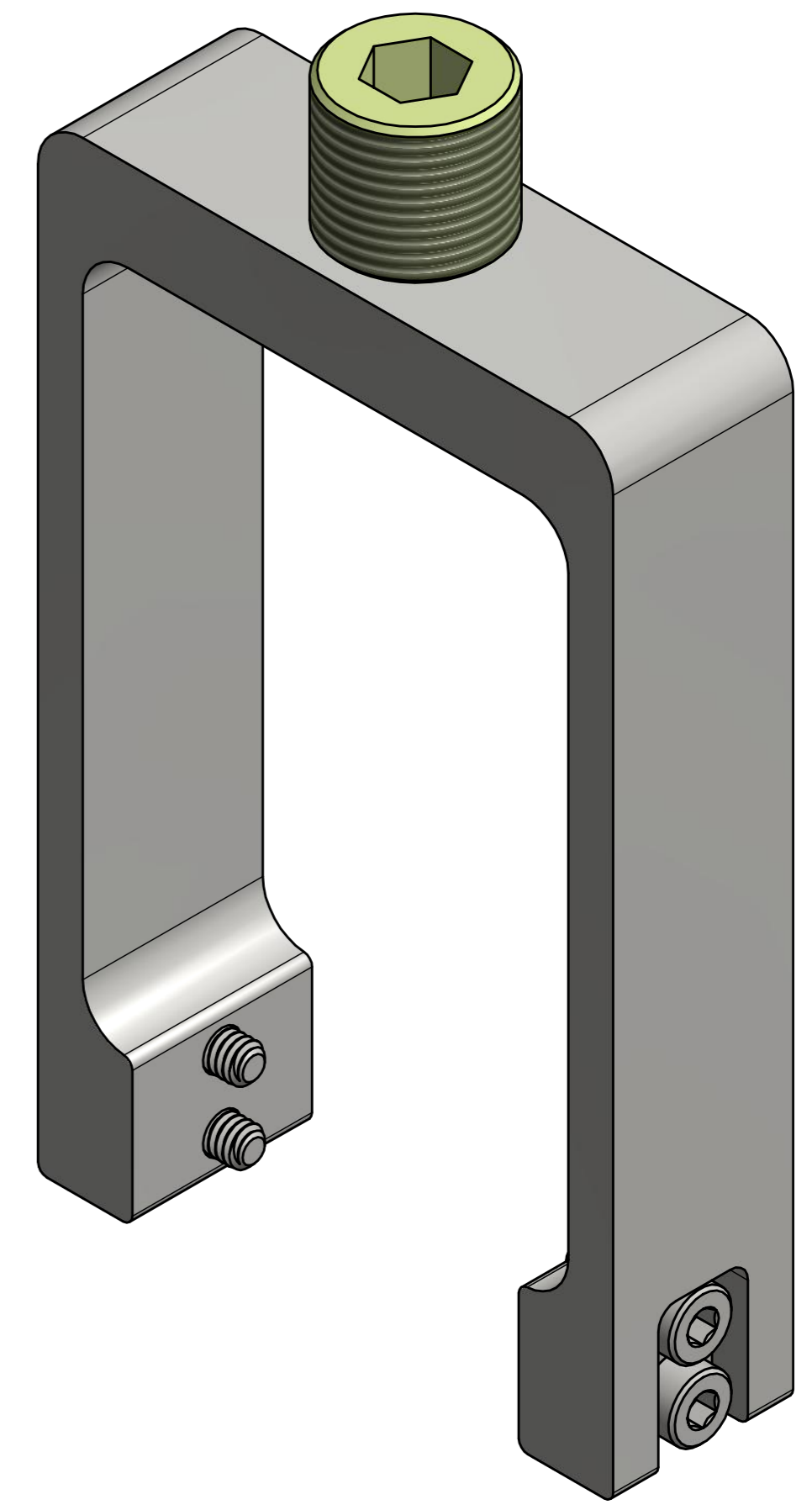
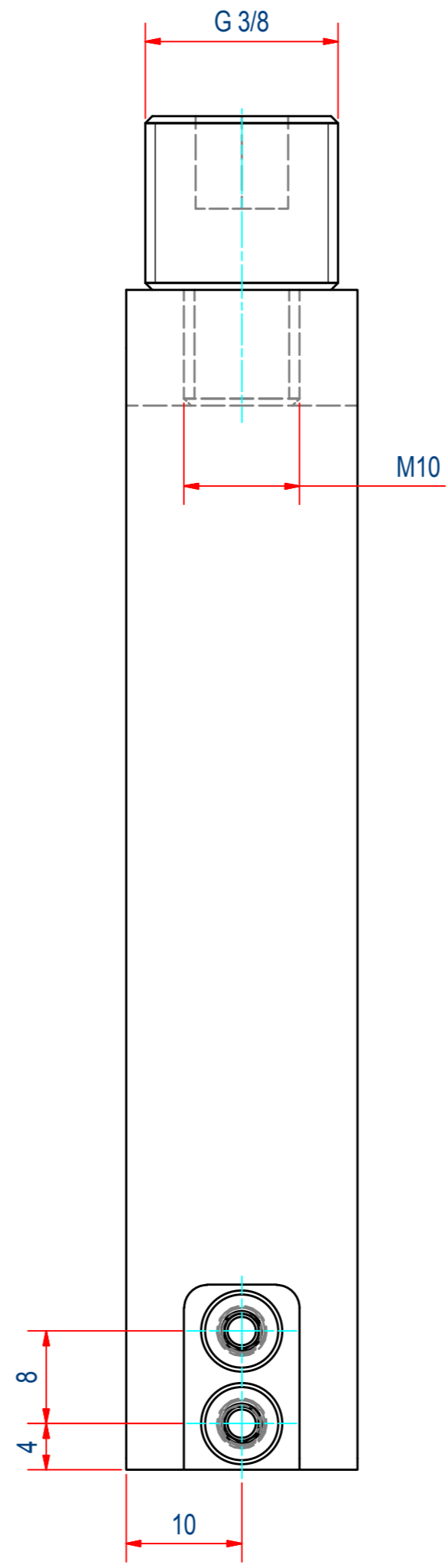
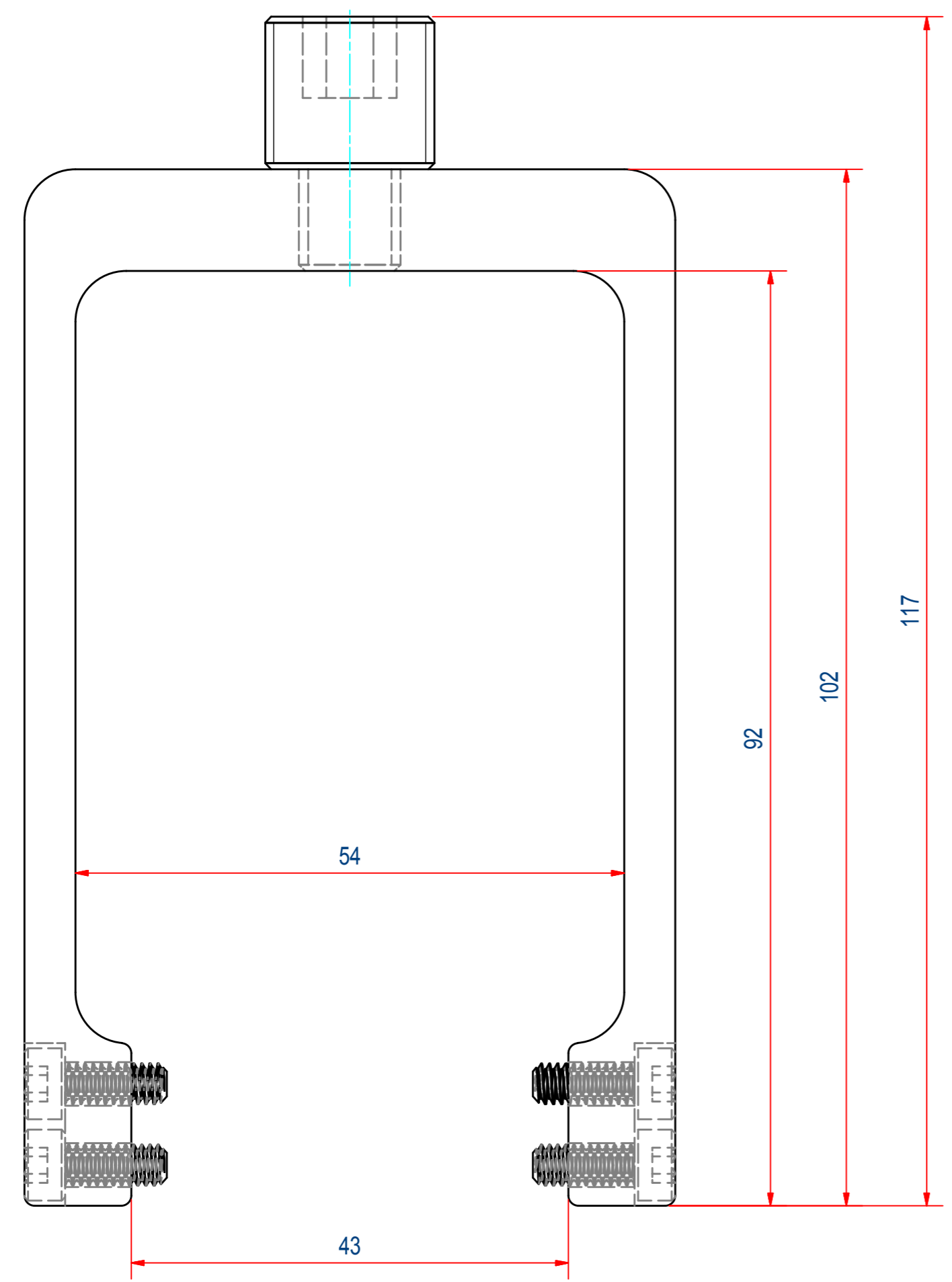
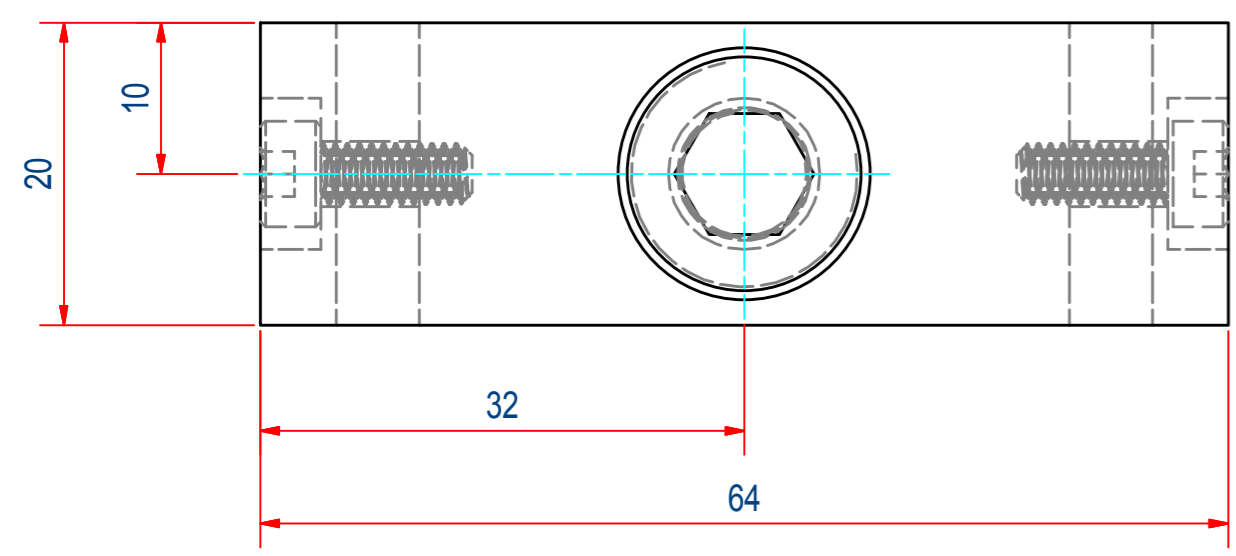


REV	DATE	BY	DESCRIPTION
-	11-12-2013	BS	ORIGINAL DRAWING



RAW MAT.	QTY	MAT. NUMBER	MAT. DESCRIPTION	LENGTH (mm)	WIDTH (mm)
1					
Sheet: <b>A2</b>		Extra info:		General tolerance: <b>ISO 2768- mK</b>	
Drawn: <b>BS</b>		Weight (kg):		Drawn according: <b>ISO268; ISO1101; ISO2553</b>	
Date: <b>29-11-2013</b>				Status: <b>Standard</b>	
Spare part: <b>False</b>				Customer reference number:	
Quick search: <b>MS ACC</b>		© All rights reserved. Reproduction is not permitted without written permission of GOUDSMIT Magnetic Systems BV		File number: <b>MS-8800110</b> Rev: -	
Description: <b>HMS-M/ME/AR30 VERTICAL MOUNT</b>				Part number: <b>MS-8800110</b> Rev: -	