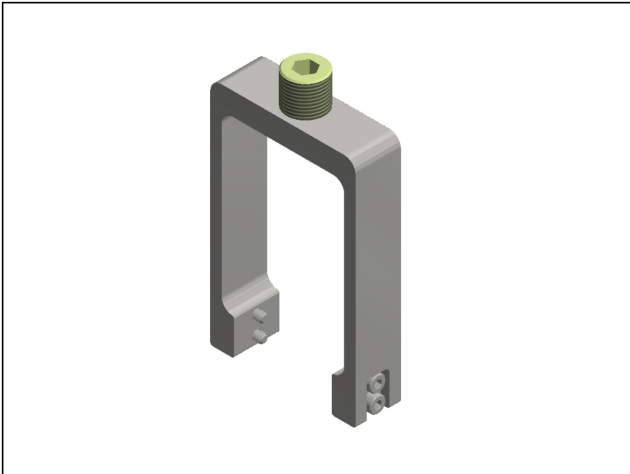


Various accessories

HMS-M/ME/AR30 VERTICAL MOUNT

SKU: MS-8800110



Product Features

Description	Vertical mount
SKU	MS-8800110
Product key	HMS-M/ME/AR30 VERTICAL MOUNT
Application	Mounting accessory - Vertical mount for Magswitch M/ME/AR 30. Vertical mounts include a thread adapter which may be used to easily replace suction systems currently in use, or can be removed and directly mounted via the M10 threaded hole.
Interface/connection dim's	Threaded hole M10 - Including thread adapter from M10x1,5 to G $\frac{3}{8}$ pipe thread
Length	20 mm
Width	64 mm
Height	117 mm
Weight	0.11 kg
Summary	Vertical mount Magswitch AR30