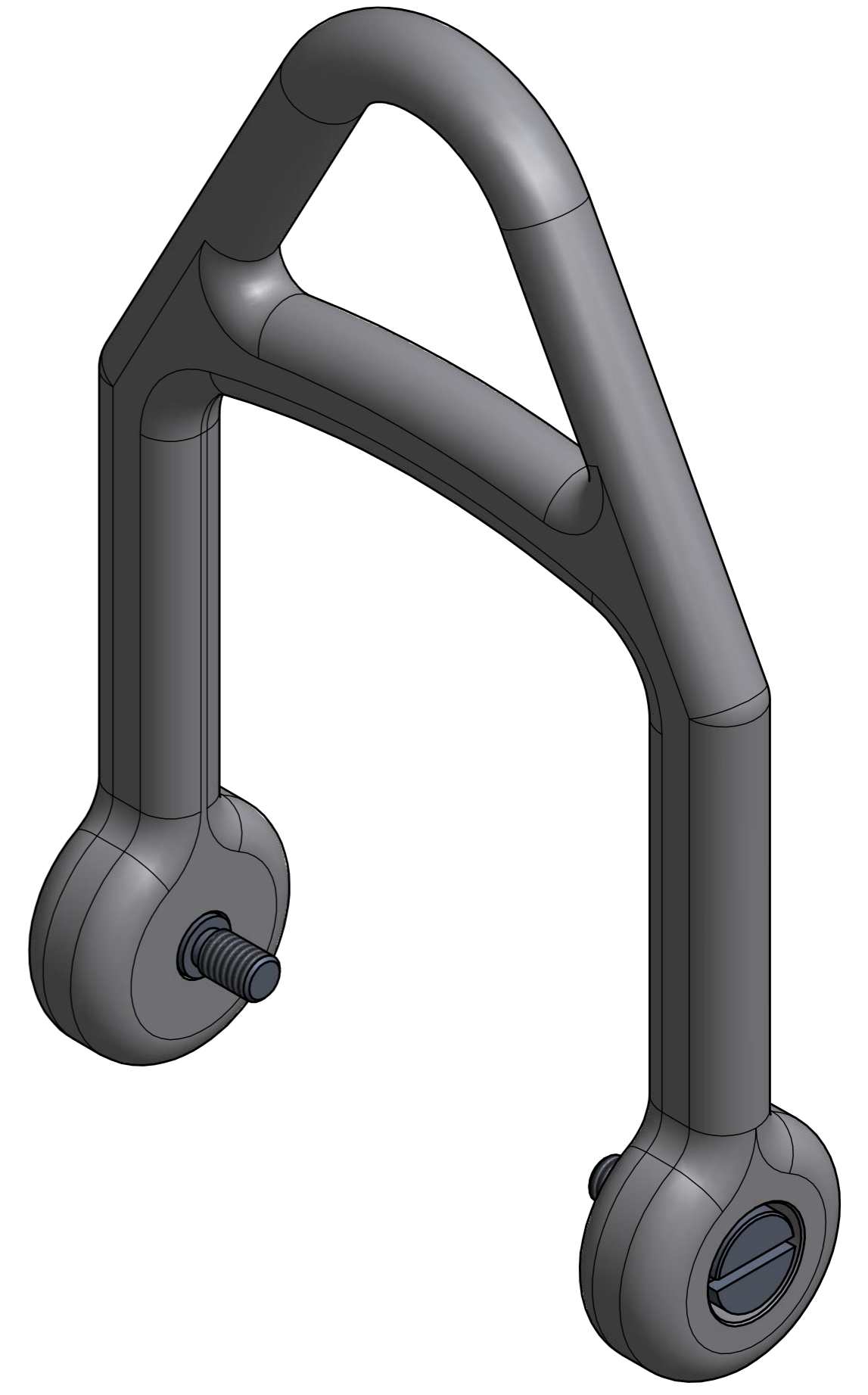
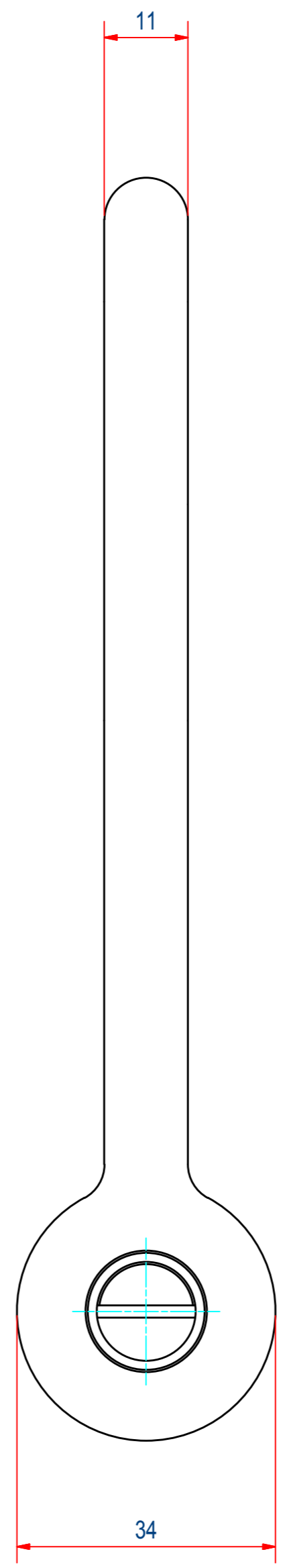
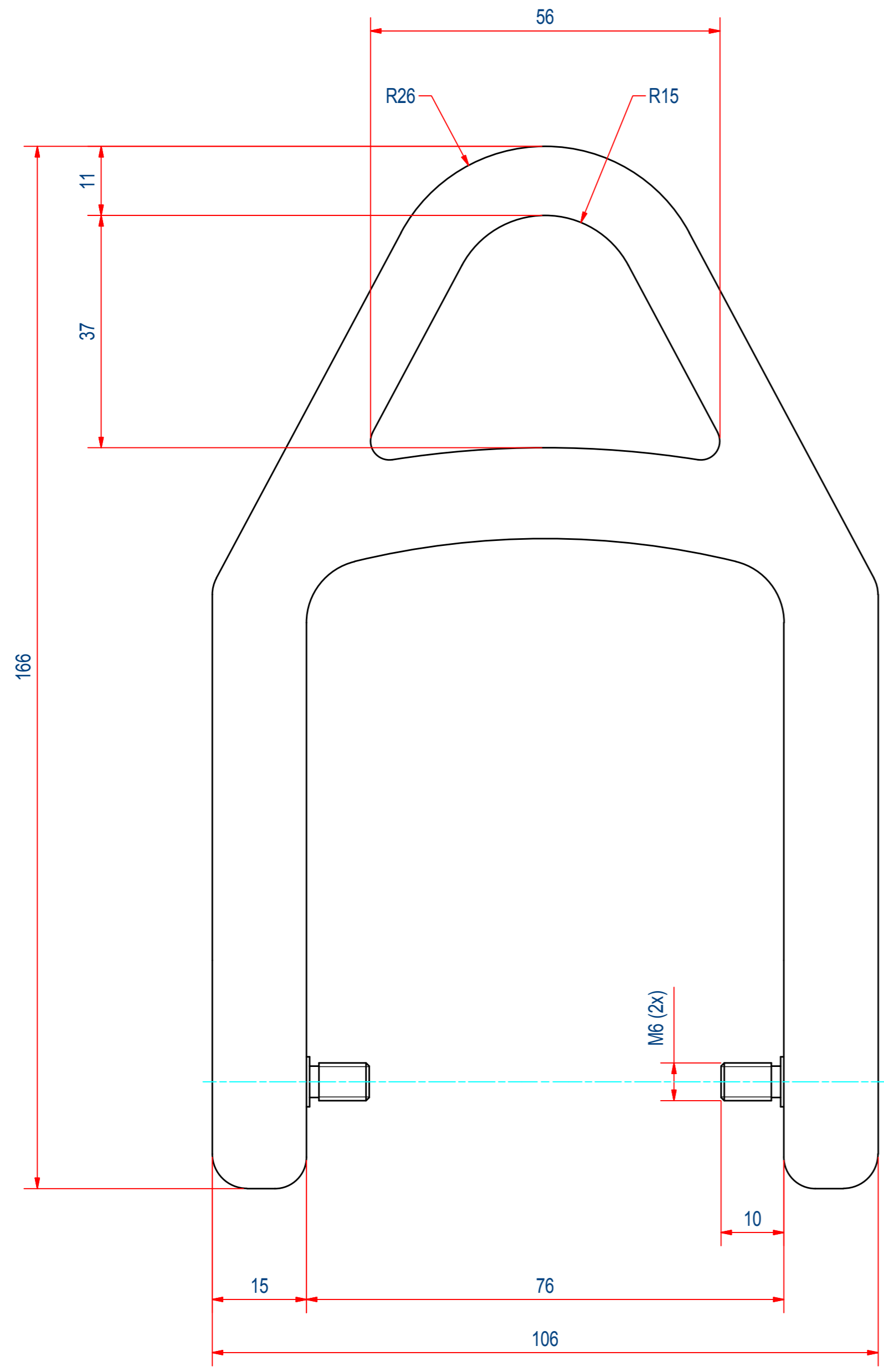


REV	DATE	BY	DESCRIPTION
-	17-10-2013	PB	REFERENCE DRAWING: TMBH005001



RAW MAT.	1								
QTY		MAT. NUMBER		MAT. DESCRIPTION		LENGTH (mm)		WIDTH (mm)	
Sheet:	A2	Extra info:		General tolerance:		ISO 2768- mK			
Drawn:	PB	Weight (kg):		Drawn according:		ISO268; ISO1101; ISO2553			
Date:	17-10-2013			Status:		Standard			
Spare part:	False			Customer reference number:					
Quick search:	MS HOOK50	© All rights reserved. Reproduction is not permitted without written permission of GOUDSMIT Magnetic Systems BV		File number:		MS-8800008			
Description:	HMS-HOOK BRACKET MAGSQUARE50mm			Part number:		MS-8800008			
Rev:	-			Rev:		-			