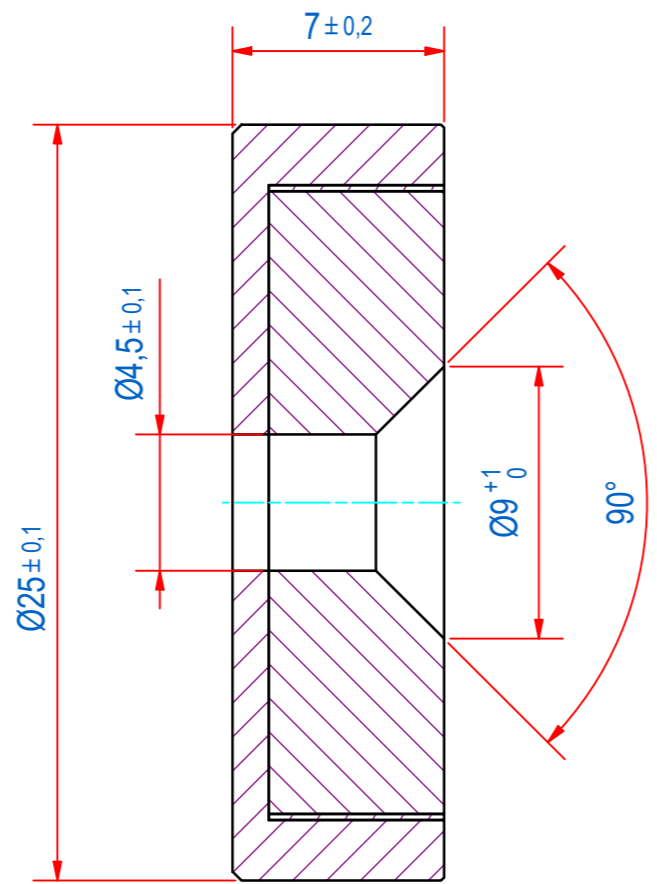
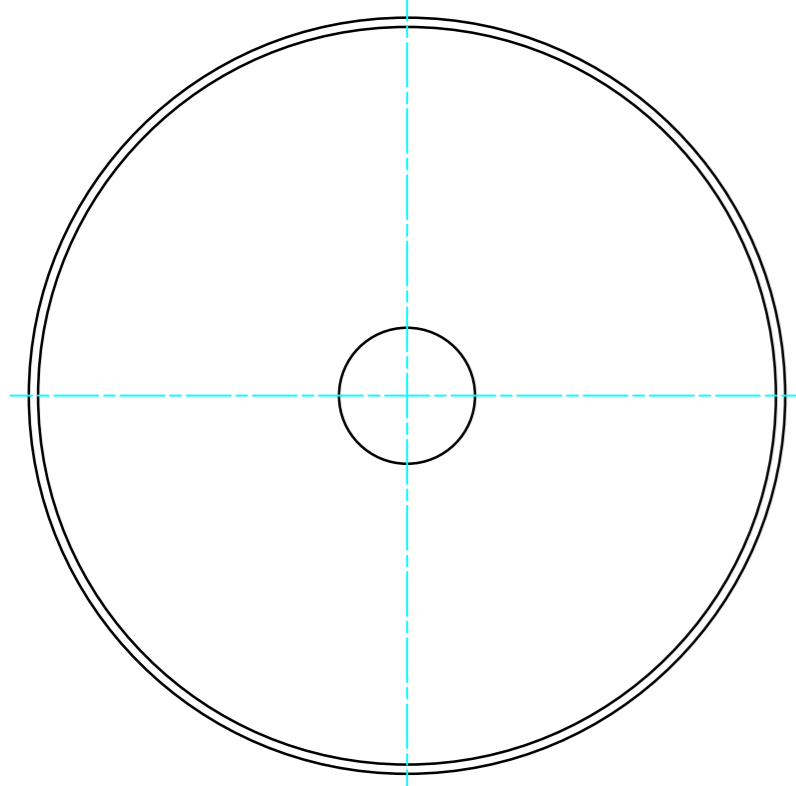
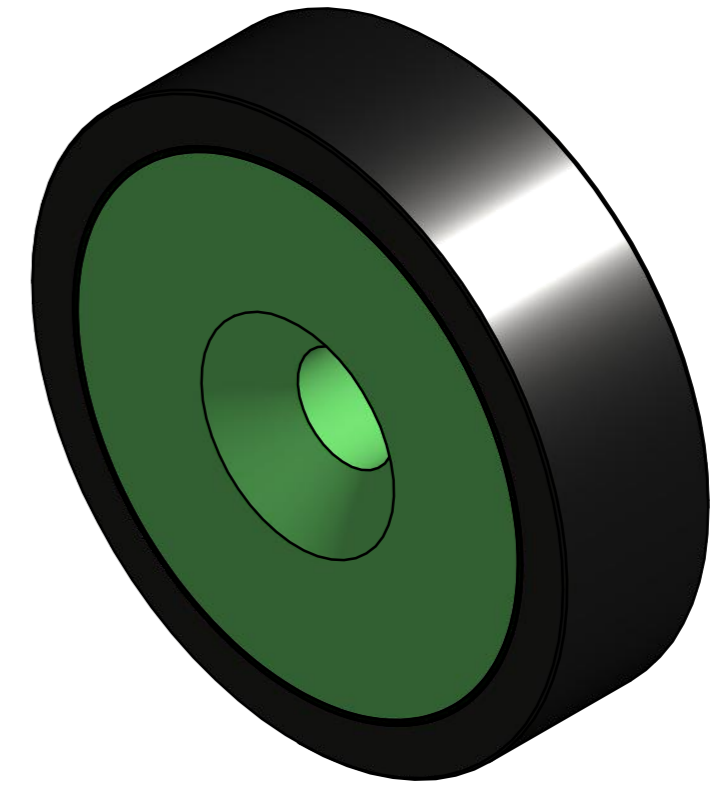
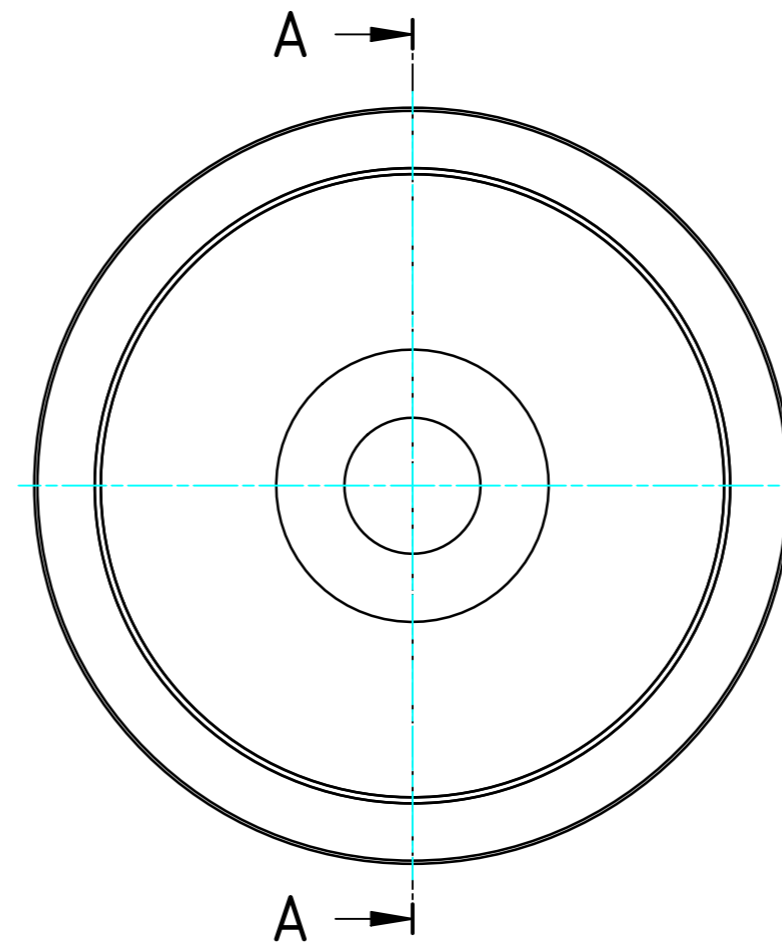


DOC.NR.	REV	DATE	BY	DESCRIPTION
E0121353	-	30-9-2019	PV	ORIGINAL DRAWING



A-A



SURFACE TREATMENT: ZINC PLATED

RAW MAT.	1				
Quantity		Material Number		Material Description	Length (mm) Width (mm)
Sheet:	A2	Extra info:	POTMAGNET NEODYMIUM		General tolerance: ISO 2768- mK
Drawn:	PV	Weight (kg):	0,025		Drawn according: ISO268; ISO1101; ISO2553
Date:	26-8-2019				Status: Released
Spare part:	False	Source:			Customer reference number:
Quick search:	POTGM		<small>© All rights reserved. Reproduction is not permitted without written permission of GOUDSMIT Magnetic Systems BV</small>		Document number: E0121353 Doc.Rev:
Description:	PM-HS-N-SG-D25x7xd4.5/9			Part number: GM17427	Rev: -