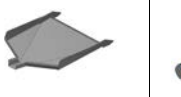



**Cleanflow magnet (Easy cleaning)**

Original: 4-1-2017  
Last Update: 03-04-2018

	Cleanflow magnet (WT= 1.2)		Cleanflow magnet (WT= 0.7)		Size dependent parts			General parts		
	TUBE 52.4 x 1.2 (AISI304L)		TUBE 51.4 x 0.7 (AISI316L)							
	EC1935/2004 - FDA - Atex		EC1935/2004 - FDA - Atex							
	ES (GSN52) 12000 Gauss	HT (GSN45SH) 11500 Gauss	ES (GSN52) 13000 Gauss	HT (GSN45SH) 12500 Gauss	Flange seal	Deflector Flange	Collector	ES (GSN52)	ES (GSN52)	HT (GSN45SH)
#200 Cap tot 20-30 m³/h	 E0063099 Finishing: F1M SECE-2020-02V-ES-F1M-B-B-BB-B	 E0090201 Finishing: F1M SECE-2020-02V-HT-F1M-B-B-BB-B	 E0066622 Finishing: F1M SECE-2020-02U-ES-F1M-B-B-BB-B	 - Finishing: F1M SECE-2020-02U-HT-F1M-B-B-BB-B	 E0059482 #200 GASKET 300x200 SILICONE EC1935	 E0055222 #200 FLANGE HOUSE EASY CLEAN 200	 E0058654 #200 COLLECTOR EASY CLEAN 200	 MNR0049038 23mm D49.7x8x23m GSN52	 MNR0049040 46mm D49.7x8x46m GSN52	 MNR0049039 23mm D49.7x8x23m GSN45SH
#300 Cap Max. 65 m³/h	 E0062793 Finishing: F1M SECE-3030-03V-ES-F1M-B-B-BB-B	 E0091322 Finishing: F1M SECE-3030-03V-HT-F1M-B-B-BB-B	 E0066637 Finishing: F1M SECE-3030-03U-ES-F1M-B-B-BB-B	 E0084231 Finishing: F1M SECE-3030-03U-HT-F1M-B-B-BB-B	 E0060763 #300 GASKET 300x400 SILICONE EC1935	 E0051393 #300 FLANGE HOUSE EASY CLEAN 300	 E0055940 #300 COLLECTOR EASY CLEAN 300	 E0049709 RED SEAL d75 SILICONE EC1935	 E0065778 WHITE SEAL d75 SILICONE EC1935	 E0080040 BLUE SEAL d75 NBR70 EC1935
#400 Cap Max. 120 m³/h	 E0063090 Finishing: F1M SECE-4040-04V-ES-F1M-B-B-BB-B	 - Finishing: F1M SECE-4040-04V-HT-F1M-B-B-BB-B	 E0066639 Finishing: F1M SECE-4040-04U-ES-F1M-B-B-BB-B	 - Finishing: F1M SECE-4040-04U-HT-F1M-B-B-BB-B	 E0062882 #400 GASKET 400x500 SILICONE EC1935	 E0062870 #400 FLANGE HOUSE EASY CLEAN 400	 E0063004 #400 COLLECTOR EASY CLEAN 400	 E0066704 SAFETY SWITCH 'C' STEUTE Ex-HS SI4-5M-II2D + MC4	 E0084784 SECE _ _ EASY CLEAN	 E0084706 & 1000.20030 STICKER MAGNETIC FIELD EARTH SIGN SYMBOL

Reducers Jacob (AISI304L) (Inlet/Outlet)	
E0079974	RED #200-D120 H175 JACOB 304L
E0079994	RED #200-D150 H175 JACOB 304L
E0080000	RED #200-D200 H125 JACOB 304L
E0080004	RED #300-D200 H225 JACOB 304L
E0080022	RED #300-D250 H175 JACOB 304L
E0080030	RED #300-D300 H225 JACOB 304L

Reducers BFM (AISI316L) (Inlet/Outlet)	
E0072003	RED #200-D200 BFM H150 316L
E0069305	RED #300-D250 BFM H160 316L
E0071988	RED #300-D300 BFM H160 316L


Reducers Tube (AISI304L) (Inlet/Outlet)	
E0080064	RED #200-D120 TUBE H260 304L
E0080079	RED #200-D150 TUBE H200 304L
E0080097	RED #200-D200 TUBE H200 304L
E0080117	RED #300-D200 TUBE H340 304L
E0080137	RED #300-D250 TUBE H290 304L

Reducers Jacob (AISI316L) (Inlet/Outlet)	
E0078086	RED #200-D100 H125 JACOB 316L
E0081726	RED #200-D120 H150 JACOB 316L
E0081753	RED #200-D150 H125 JACOB 316L
E0086482	RED #200-D200 H125 JACOB 316L

Reducers BFM (AISI316L) (Inlet)	
E0072009	RED #200-D200 BFM H90 316L
E0071994	RED #300-D300 BFM H90 316L

Reducers EN1092-1 (AISI316L) (Inlet/Outlet)	
E0085940	RED #200-EN1092-1 DN100 H125 316L

Engineers adjust list when a new reducer has been drawn

	EARTH WIRE						
	#	SECE + IN / OUT	SECE + IN / OUT + DEFLECTOR	SECE + DEFLECTOR	SECE + IN / OUT + DEF + COL	SECE + DEFLECTOR + INLET	SECE + DEFLECTOR + OUT
	#200		E0086977	E0087523			
	#300			E0087240			
	#400	E0090668	E0086751	E0087067	E0084654		