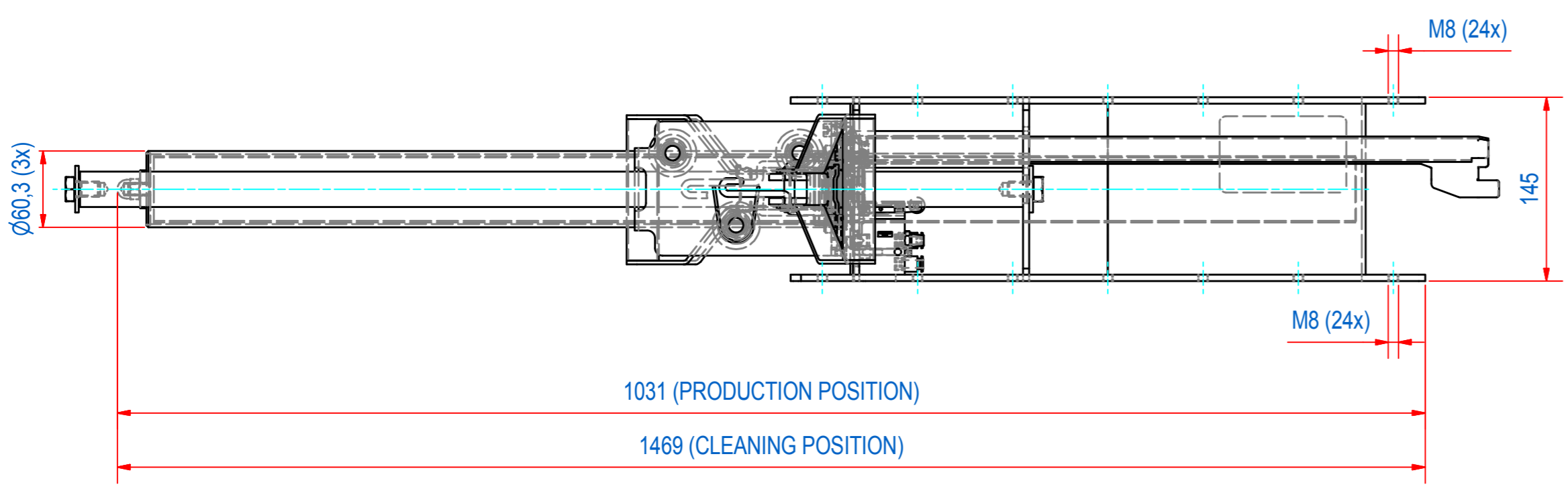
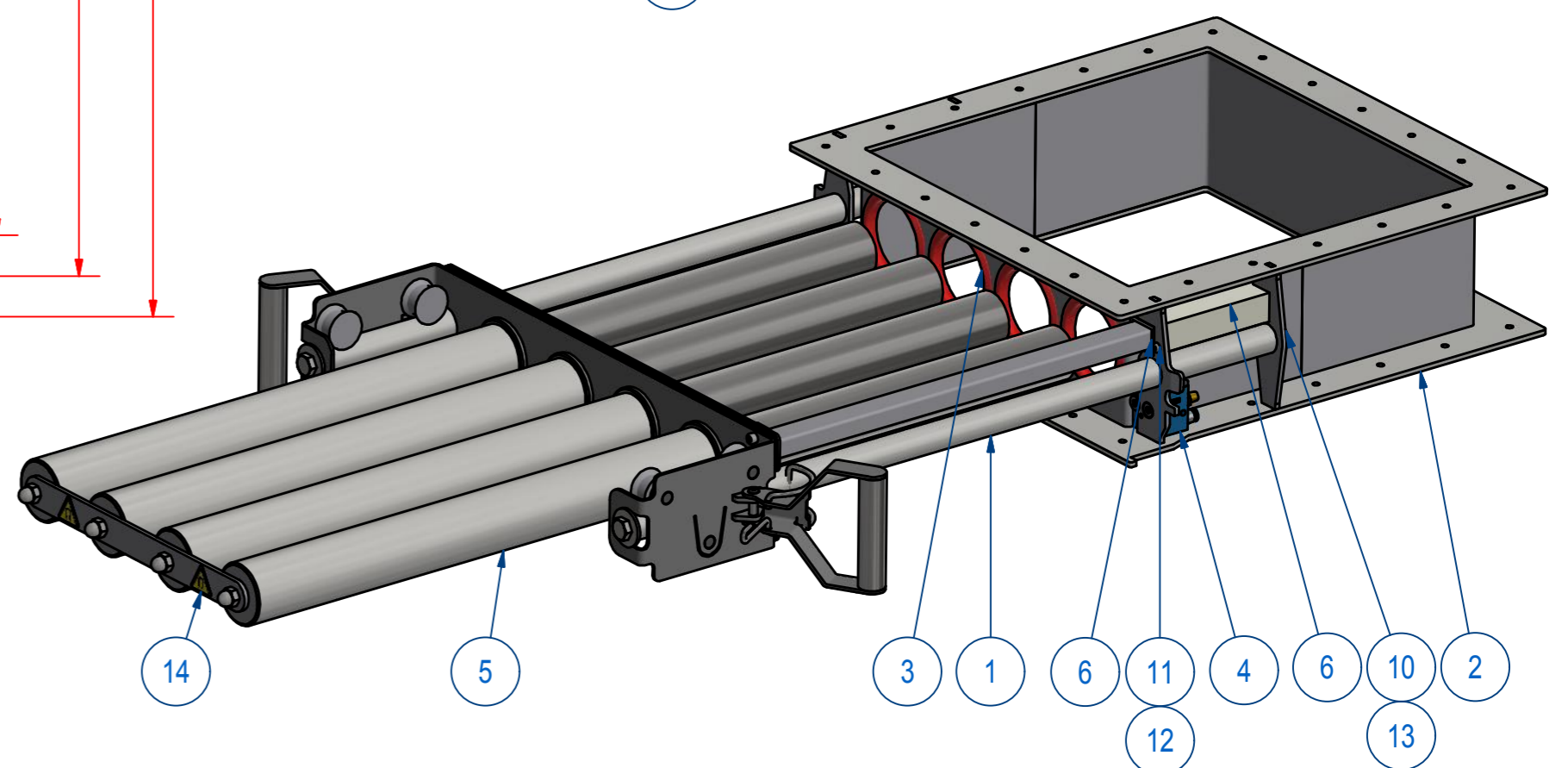
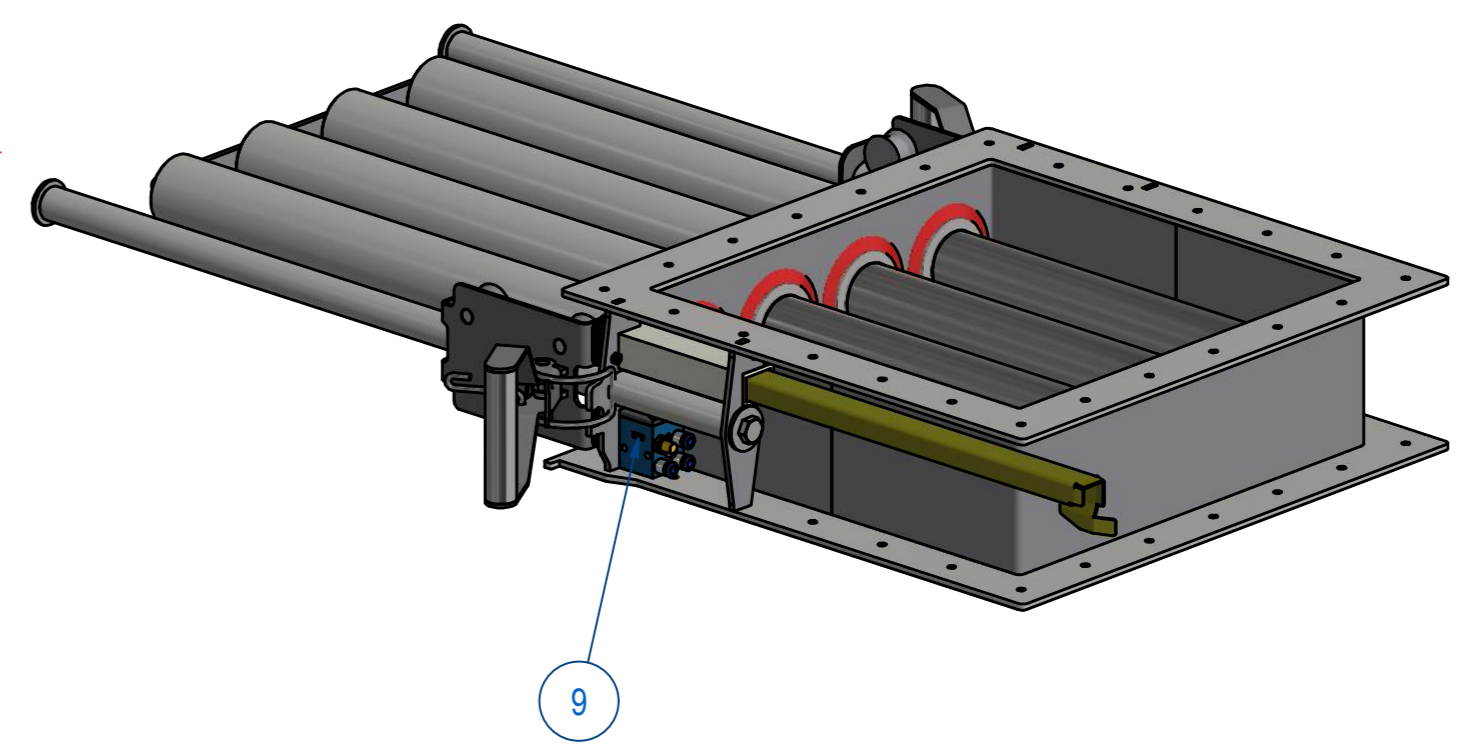
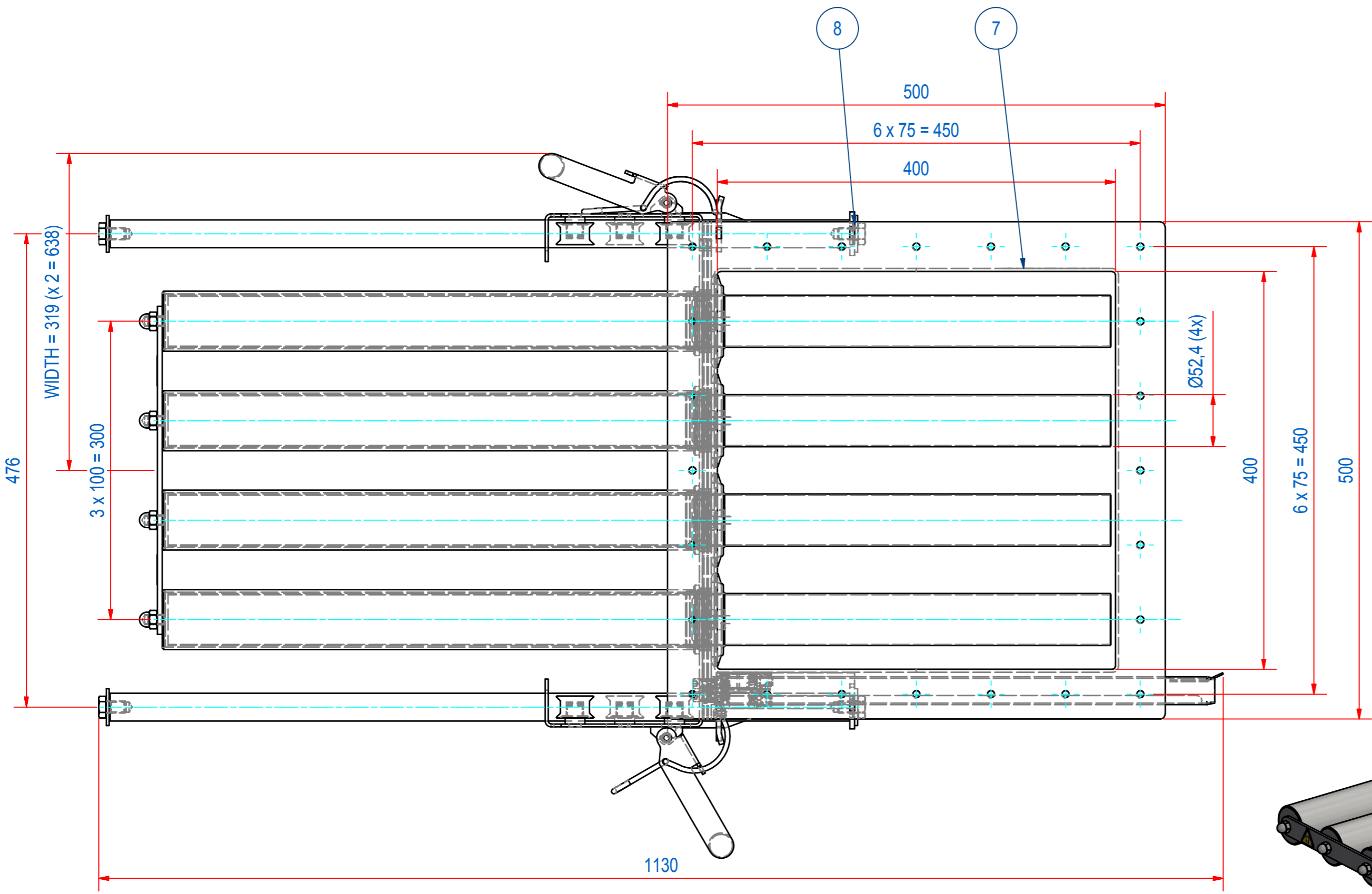


DOC.NR.	REV	DATE	BY	DESCRIPTION
E0063091	B	4-1-2017	AvD	INSERT CHANGED (E0066650 WAS E0062888)
E0063091	C	27-6-2017	AvD	DIMENSIONS ADDED
E0063091	D	26-10-2017	CR	TYPE PLATE AND EARTH SIGN ADDED



ITEM	QTY	PART NUMBER	DESCRIPTION	Dimensions
14	2	1000.20027	STICKER MAGNETIC FIELD 30mm	
13	4	70.9200005	WASHER 3xD M12x37 - A2	M12x37
12	1	60.0200005	NUT, HEX M5 - A2	M5
11	1	54.1205010	SCREW, HEX S BH LOW M5x10 - A2	M5x10
10	4	50.1212020	BOLT, HEX M12x20 - A2	M12x20
9	1	E0093167	SECE PNEUMATIC DIAGRAM	
8	1	E0084706	EARTH SIGN SYMBOL	
7	1	E0084784	SECE EASY CLEAN	
6	1	E0055904	GUIDE BUSH EC1935	
5	1	E0066650	ASSY INSERT EASY CLEAN 400	
4	1	E0051802	ASSY AIR VALVE EASY CLEAN	
3	4	E0049709	SEAL Ø75 SILICONE EC1935	
2	1	E0062872	HOUSE 400x400 EASY CLEAN	
1	2	E0062884	BAR RND ø28 h9 AISI 316L	ø28 - 748

RAW MAT.	Quantity	Material Number	Material Description	Length (mm)	Width (mm)
1					

Sheet: A2	Extra info: CLEANFLOW MAGNET	General tolerance: ISO 2768 - mK
Drawn: FS	Weight (kg): 59,8	Drawn according: ISO268; ISO1101; ISO2553
Date: 2-11-2016		Status: Standard
Spare part: False		Customer reference number:
Quick search: EASY CLEAN 400	© All rights reserved. Reproduction is not permitted without written permission of GOUDSMIT Magnetic Systems BV	Document number: E0063091
Description: SECE-4040-04V-ES-F1M-B-B-BB-B		Doc.Rev: D
		Part number: E0063090
		Rev: C