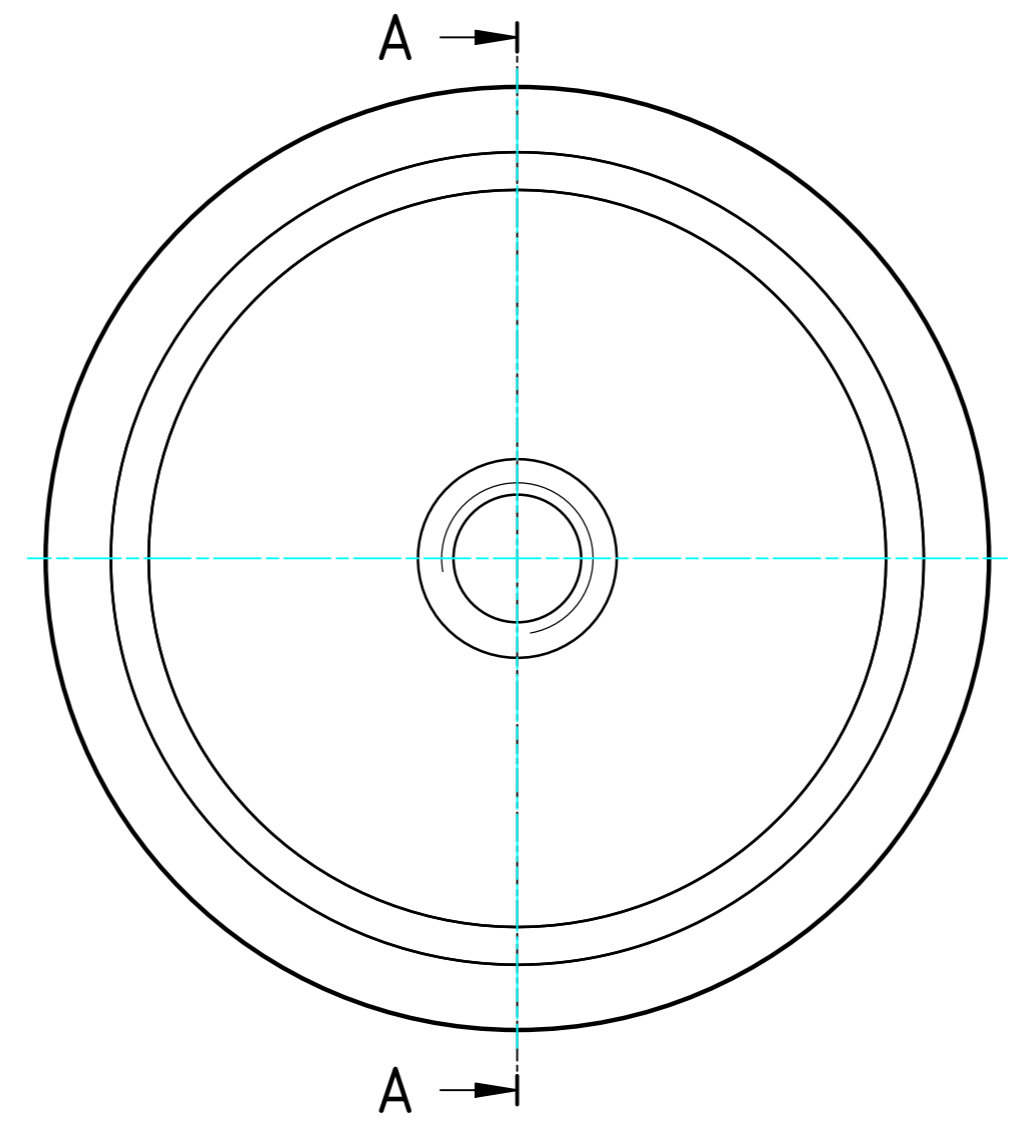
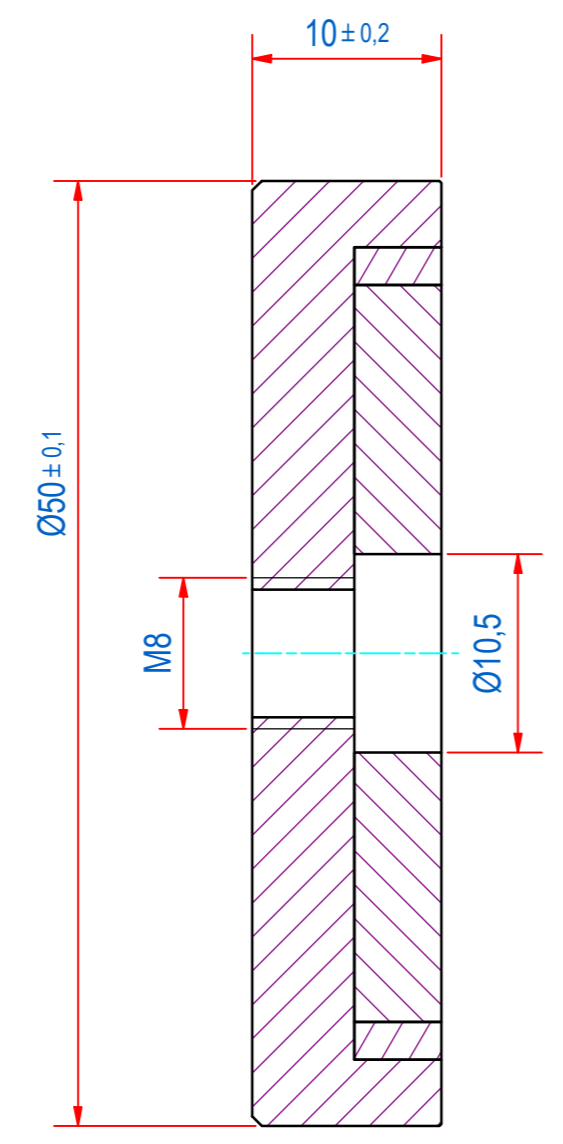
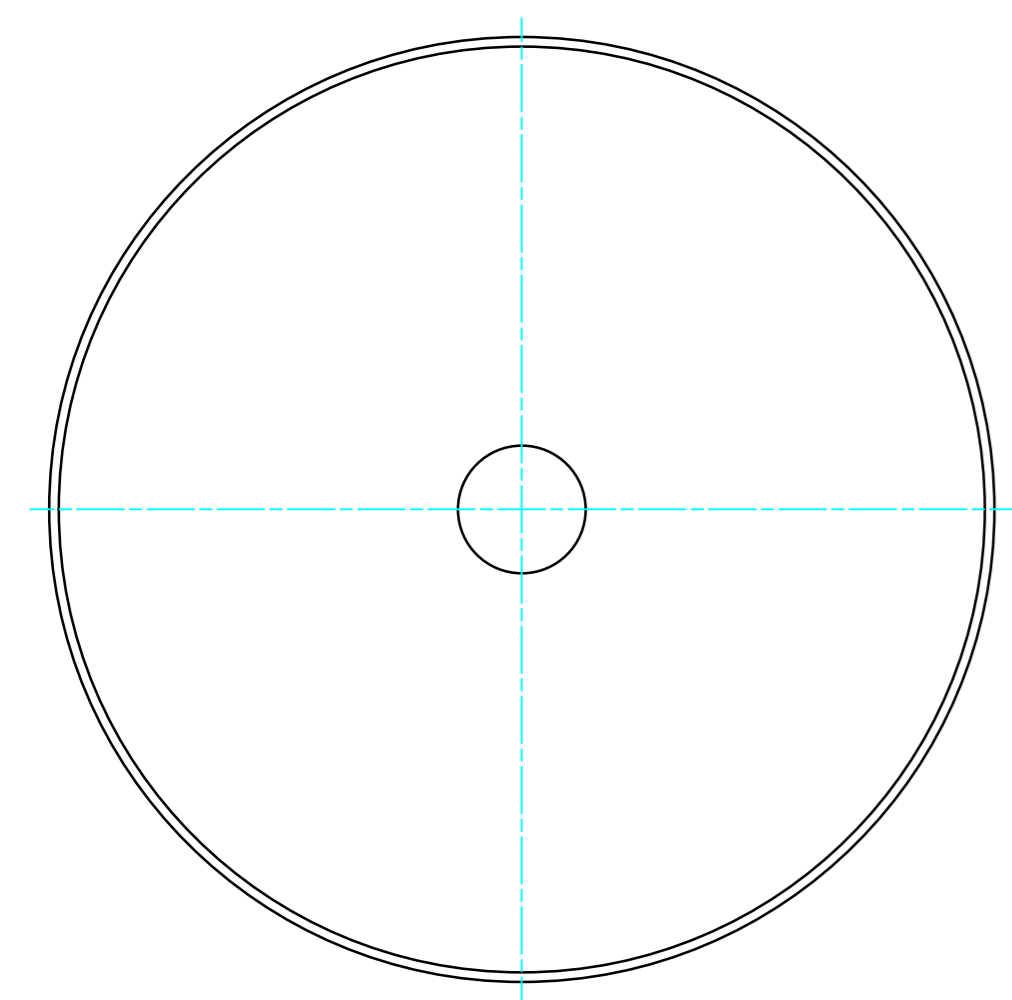


DOC.NR.	REV	DATE	BY	DESCRIPTION
E0120996	-	1-10-2019	PV	ORIGINAL DRAWING



SURFACE TREATMENT: ZINC PLATED

RAW MAT.	Quantity: 1	Material Number	Material Description	Length (mm)	Width (mm)
Sheet: A2	Weight (kg): 0,14	Extra info: POTMAGNET NEODYMIUM	General tolerance: ISO 2768- mK		
Date: 21-8-2019	Spare part: False		Drawn according: ISO268; ISO1101; ISO2553		
Quick search: POTGM	Source:		Status: Released		
Description: PM-TI-N-SG-D50x10xM8		© All rights reserved. Reproduction is not permitted without written permission of GOUDSMIT Magnetic Systems BV	Customer reference number:	Document number: E0120996	Doc.Rev: -
			Part number: GM17440	Rev: -	