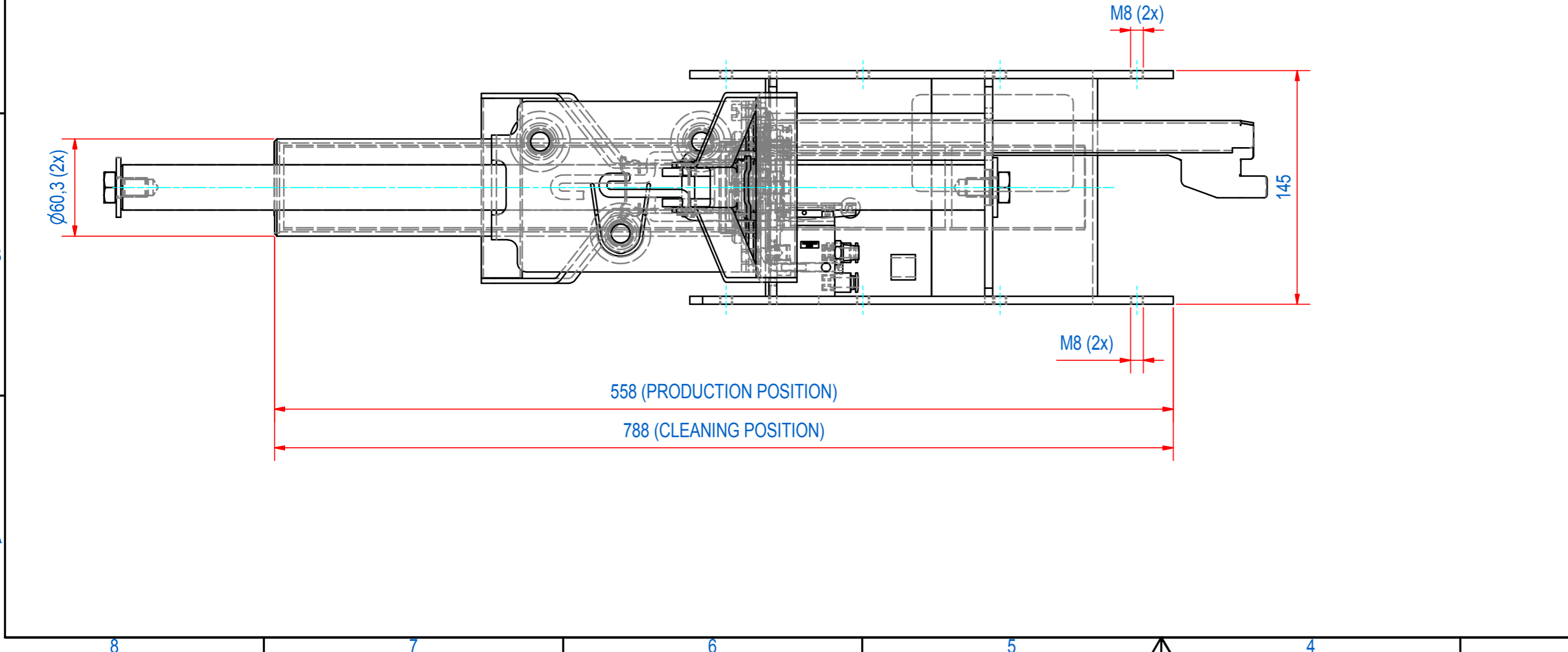
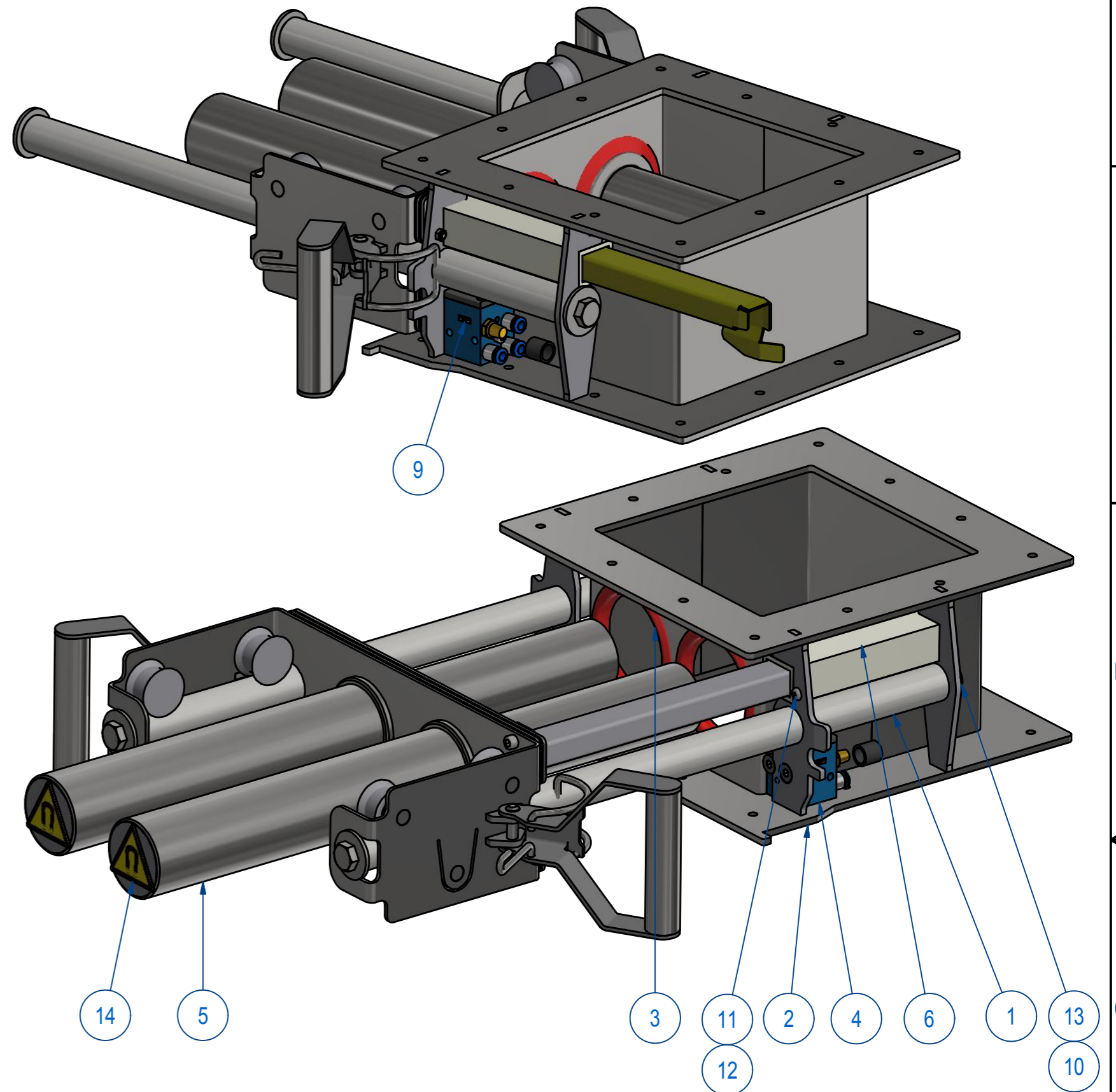
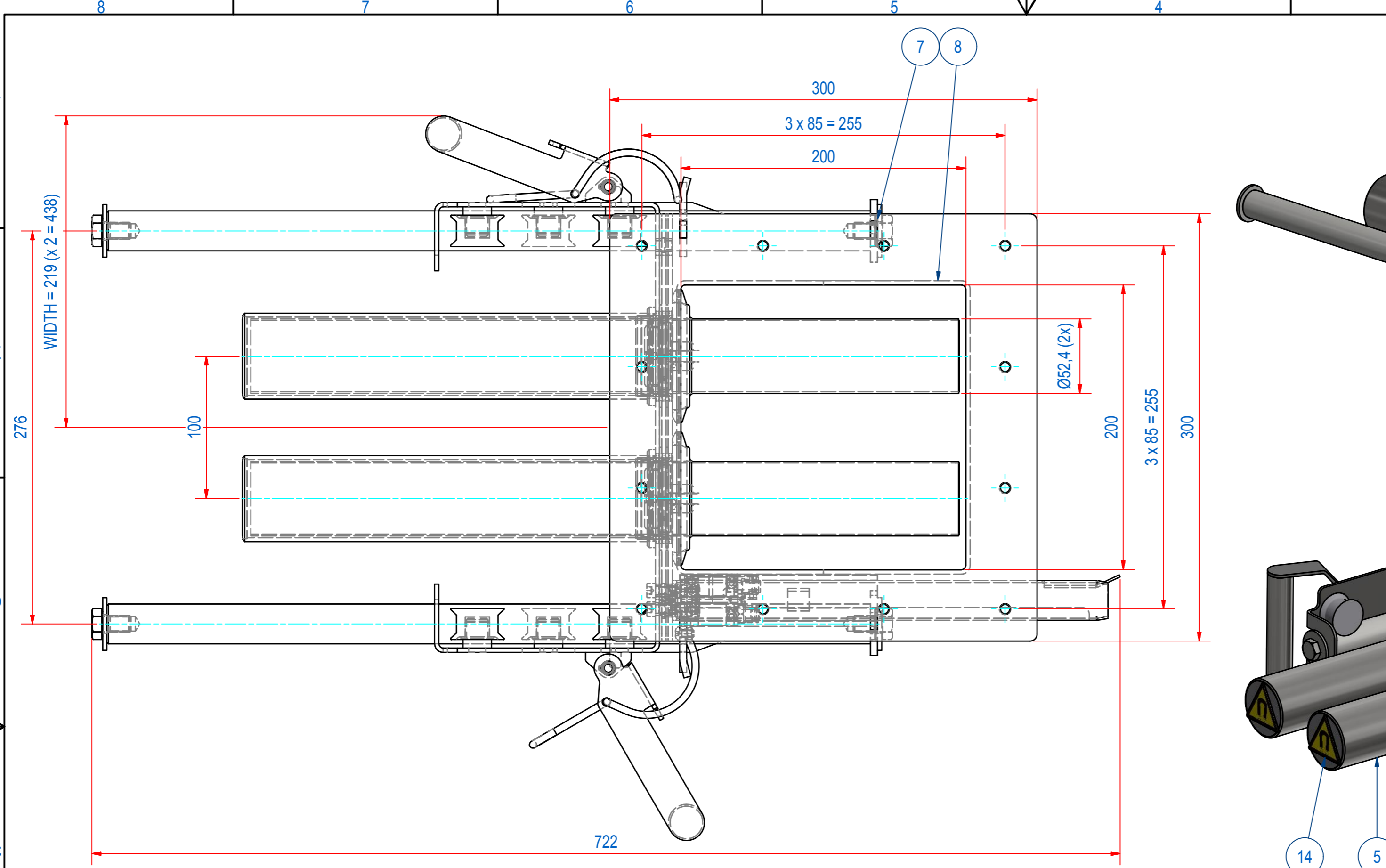


DOC.NR.	REV	DATE	BY	DESCRIPTION
E0063100	A	21-12-2016	AvD	COMPLETELY CHANGED, AISI316 WAS AISI304
E0063100	B	3-1-2017	AvD	INSERT CHANGED E0058637 WAS E0066624
E0063100	C	26-10-2017	CR	TYPE PLATE, STICKER 'MAGNETIC FIELD' AND EARTH SIGN ADDED



ITEM	QTY	PART NUMBER	DESCRIPTION	Dimensions
14	2	1000.20030	STICKER MAGNETIC FIELD small	
13	4	70.8300012	WASHER 3xD M12x37 - A4	M12x37
12	1	60.0300005	NUT, HEX M5 - A4	M5
11	1	54.1305010	SCREW, HEX S BH LOW M5x10 - A4	M5x10
10	4	50.1312020	BOLT, HEX M12 x 20 - A4	M12 x 20
9	1	E0093167	SECE PNEUMATIC DIAGRAM	
8	1	E0084784	SECE_EASY CLEAN	
7	1	E0084706	EARTH SIGN SYMBOL	
6	1	E0055904	GUIDE BUSH EC1935	
5	1	E0066624	ASSY INSERT EASY CLEAN 200	
4	1	E0051802	ASSY AIR VALVE EASY CLEAN	
3	2	E0049709	SEAL Ø75 SILICONE EC1935	
2	1	E0058639	HOUSE 200x200 EASY CLEAN	
1	2	E0058691	BAR RND ø28 h9 AISI 316L	ø28 - 540

RAW MAT.	Quantity	Material Number	Material Description	Length (mm)	Width (mm)
1					

Sheet: A2	Extra info: CLEANFLOW MAGNET	General tolerance: ISO 2768 - mK
Drawn: FS	Weight (kg): 28,1	Drawn according: ISO268; ISO1101; ISO2553
Date: 2-11-2016		Status: Standard
Spare part: False		Customer reference number:
Quick search: EASY CLEAN 200	© All rights reserved. Reproduction is not permitted without written permission of GOUDSMIT Magnetic Systems BV	Document number: E0063100
Description: SECE-2020-02V-ES-F1M-B-B-BB-B		Doc.Rev: C
		Part number: E0063099
		Rev: C