

Instrument holder acc. to DIN 16281

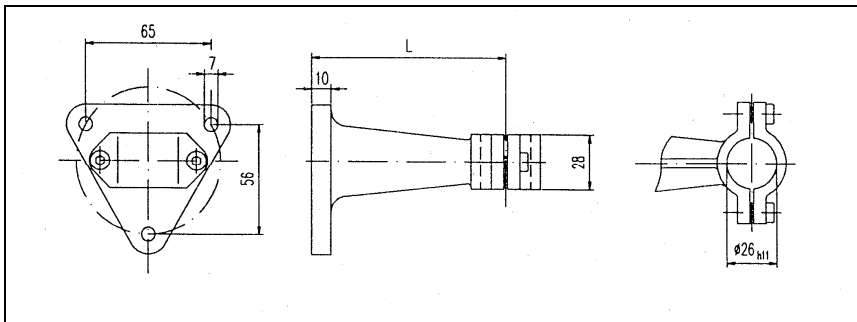
Type

L	Material	Surface	Weight [kg]	Order No.
60	Aluminium	Painted black	0.150	9094
100			0.180	9095
160			0.260	9096
100	Stainless steel 1.4571	Bare metal	0.210	9098

Applications

Instrument holders are used to mount pressure gauges and other indicating instruments. The protrusion is determined by the diameter and height of the instrument as well as by the orientation and position of the port. This instrument holder is designed to be used with an adapter.

Dimensions [mm]



Description

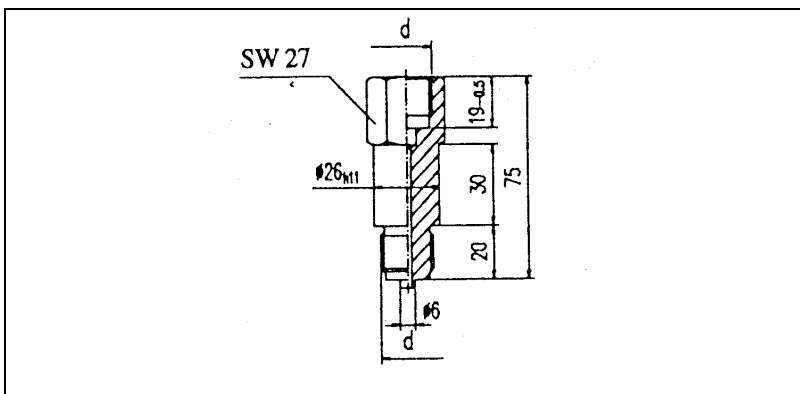
- Instrument holder for wall mounting
- An adapter is required to fasten pressure gauges (see below)
- Screws for wall mounting are not included

Adapter

Type

Mounting accessories	Port d	Material	Weight [kg]	Order No.
Adapter DIN 16281-G	G 1/2	Brass	0.250	9091
		Steel	0.230	9093
		Stainless steel - 1.4571	0.230	9099

Dimensions [mm]



Applications

- Used to fasten pressure gauges (preferably size 100, 160 or 250) and pressure gauge valves in an instrument holder

Pulsation damper PN 400

Order No.		
	Thread G 1/2	
Brass	9018/M	
Stainless steel	9018/ES	
Steel	9018/S	

Material / components

	9018/M	9018/S	9018/ES
Housing	Brass	Steel	1.4571
Screw plug	Brass	Steel	1.4571
O-ring	Perbunan		FKM
Adjusting screw	1.4404		

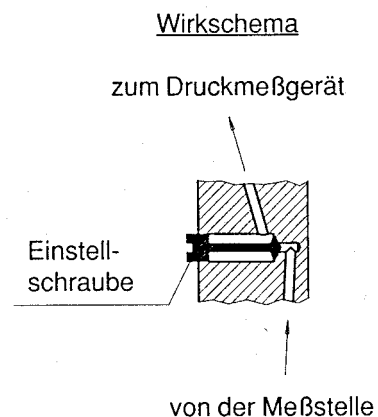
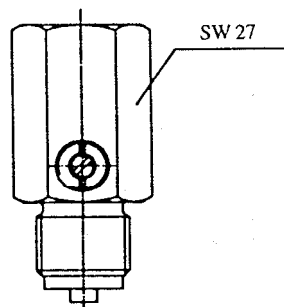
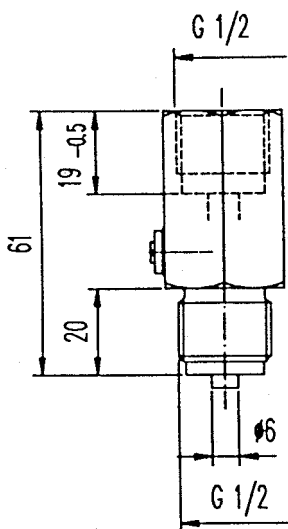
Pressure port

Type

Thread	Material	PN [bar]	Temperature range °C
G 1/2	Brass	400	-10 to 120
	Stainless steel	400	-10 to 120
	1.4571	400	-10 to 120
	Steel St 35.8		

G 1/2 x G 1/2 B acc. to EN 837-1 / 7.3

Dimensions [mm]



Applications

Damping devices protect pressure gauges against pressure surges and pulsating media. They are adjustable (by varying the cross-section of the bore) and can therefore be adapted to the specific operating conditions of each application.

They can be readjusted if necessary at any time during operation. The pulsations and pressure surges that occur in the medium, for example in compressors, steam engines, hydraulic presses, shredders, etc., are to a large extent compensated by the damping device. The service life of the pressure gauge is significantly prolonged as a result and the accuracy of the readings improved.

Damping devices require a minimum pressure of 0.4 bar in order to respond.

Description

- **Surface** : Steel, phosphatised
Stainless steel, bare metal surface
- **Media** : Liquids, gases and vapours
- **Max. temperature** : 120°C
- Special version for oxygen available on request, max. 50 bar at 60°C