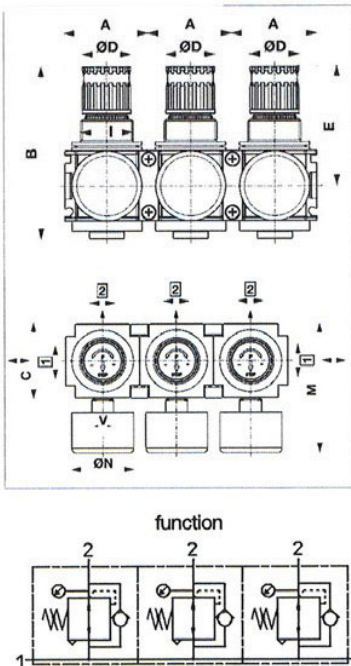


This type of regulator is equipped with a continuous pressure supply. The pressure inlet can be selected on left or right side, so it can be used for "battery mounting". The attached regulators offer independent and different pressure adjustments because the supply pressure is existing on both sides of the unit (connection no. 1). The working pressure p_2 (secondary pressure), which is kept almost constant, regardless of pressure fluctuations (inlet pressure p_1) in the system and air consumption, is available on the backside connection (connection no. 2).

The regulator (diaphragm type) is fitted with a secondary exhaust (self-relieving) to reduce the working pressure without air extraction. Contamination and damage can be avoided if a filter is installed. We recommend to use the units G^{3/8} or G^{3/4} as they have the higher flow capacity.
Important: Use of filter always recommended.



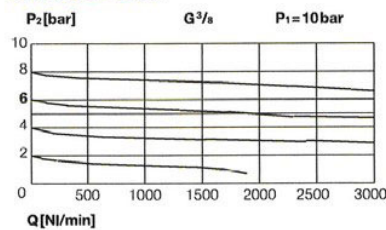
Technical data

	Size I		Size II		
	G ^{1/4}	G ^{3/8}	G ^{1/2}	G ^{3/4}	G1**
Connection 1	G ^{1/4}	G ^{3/8}	G ^{1/2}	G ^{3/4}	G1**
Connection 2	G ^{1/4}	G ^{1/4}		G ^{1/2}	
Nominal rates of flow (NI/min)*	1.800	1.800	5.800	6.800	6.800
Max. operating pressure (p₁)	25 bar				
Max. secondary pressure (p₂)	10 bar (opt. 6, 16 bar)				
Max. operating temperature	+80 °C				
Material	- housing: zinc alloy - seals: NBR				
Weight (without gauge)	390g	390g	950g	950g	1.410g

* Measured at 10 bar pre-pressure (p_1), 6 bar secondary pressure (p_2) and $\Delta p = 1$ bar acc. to DIN ISO 6953

** Inlet and outlet only with mounting plates set G1 (included, see page 70)

Rates of flow



Dimensions [mm]

Size	I	II
Connection thread	G ^{1/4} , G ^{3/8}	G ^{1/2} , G ^{3/4}
A	48	70
B	98	134
C	48	70
D (ø)	28	39
E	68	98
F	24	35
I	M30x1,5	M42x1,5
M	84	106
N (ø)	40	50
V	G ^{1/4}	G ^{1/4}

Pressure regulator with pressure supply at both ends, incl. pressure gauge

Article No.	Type No.	Thread	Size	Connection rear	Control range bar	Pressure gauge display bar
149188	VRB 42	G 1/2	2	G 1/2	0.5 - 6	0 - 6
149189	VRB 43	G 1/2	2	G 1/2	0.5 - 10	0 - 10
149190	VRB 44	G 1/2	2	G 1/2	0.5 - 16	0 - 16
149191	VRB 52	G 3/4	2	G 1/2	0.5 - 6	0 - 6
149192	VRB 53	G 3/4	2	G 1/2	0.5 - 10	0 - 10
149193	VRB 54	G 3/4	2	G 1/2	0.5 - 16	0 - 16
149194	VRB 62	G 1	2	G 1/2	0.5 - 6	0 - 6
149195	VRB 63	G 1	2	G 1/2	0.5 - 10	0 - 10
149196	VRB 64	G 1	2	G 1/2	0.5 - 16	0 - 16

Spare parts

Article No.	Type No.	Description
100650	VZ 782	Set of wearing parts, compatible with G 1/2 - G 1