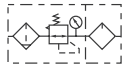


»GA« Series

GACL 11–GACL 55 A

Symbol



Product features

Two-piece service units consisting of a diaphragm pressure regulator, independent of inlet pressure, with self-relieving design, combined with a centrifugal separator and a proportional lubricator.

Specifications / Technical data

Type	Size 300			Size 400		Size 600		
	GACL 11 GACL 11 A	GACL 12 GACL 12 A	GACL 13 GACL 13 A	GACL 32 GACL 32 A	GACL 33 GACL 33 A	GACL 34 GACL 34 A	GACL 55 GACL 55 A	
Fluid	Air							
Port size	1/4"	3/8"	1/2"	3/8"	1/2"	3/4"	1"	
Filtering grade	5 µm (40 µm on request)							
Pressure range	1.5 to 9 bar (0.15 to 0.9 MPa, 20 to 130 psi)							
Inlet pressure max.	10 bar (1.0 MPa, 145 psi)							
Temperature range	-5 to 70 °C							
Capacity of drain bowl	60 cm ³			100 cm ³		205 cm ³		
Capacity of oil bowl	98 cm ³			185 cm ³		410 cm ³		
Recommended lubricant	Mineral oil, viscosity 32 cSt, acc. to DIN 51524 - ISO VG 32							
Weight	1020 g			1810 g		3430 g		
Constitute	Filter-regulator	GAC 11 GAC 11 A	GAC 12 GAC 12 A	GAC 13 GAC 13 A	GAC 32 GAC 32 A	GAC 33 GAC 33 A	GAC 34 GAC 34 A	GAC 55 GAC 55 A
	Lubricator	GAL 11	GAL 12	GAL 13	GAL 32	GAL 33	GAL 34	GAL 55

Ordering information

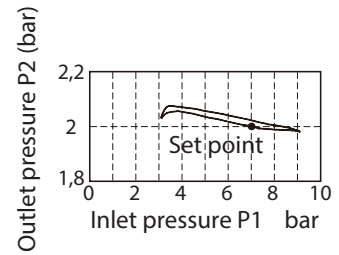
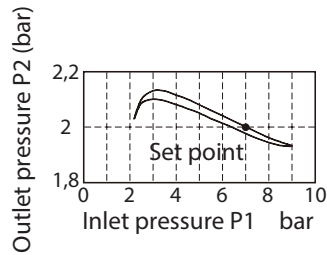
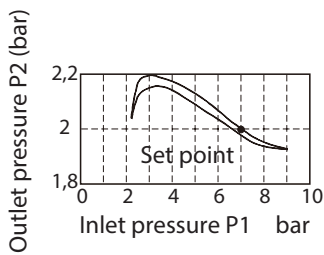
Type	description
GACL 11–GACL 13, GACL 32, GACL 33	Service units, 2-piece with polycarbonate bowl, bowl guard and joiner for wall mounting, semi-automatic drain valve
GACL 34, GACL 55	Service units, 2-piece with metal bowl, sight glass and joiner for wall mounting, semi-automatic drain valve
GACL 11 A–GACL 13 A, GACL 32 A, GACL 33 A	Service units, 2-piece with polycarbonate bowl, bowl guard and joiner for wall mounting, fully-automatic drain valve
GACL 34 A, GACL 55 A	Service units, 2-piece with metal bowl, sight glass and joiner for wall mounting, fully-automatic drain valve

»GA« Series

GACL 11–GACL 55 A

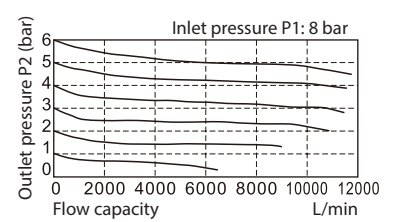
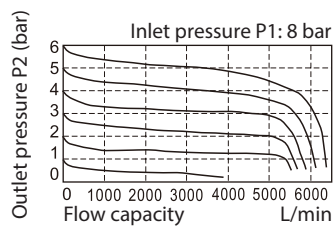
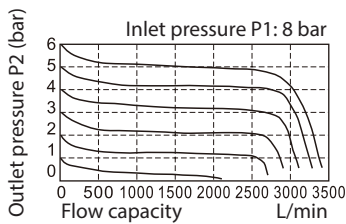
Pressure chart

GACL11–GACL13, GACL11A–GACL13A GACL32, GACL33, GACL32A, GACL33A GACL34, GACL55, GACL34A, GACL55A



Flow chart

GACL12*, GACL13, GACL12A, GACL13A GACL32, GACL33, GACL32A, GACL33A GACL34, GACL55, GACL34A, GACL55A



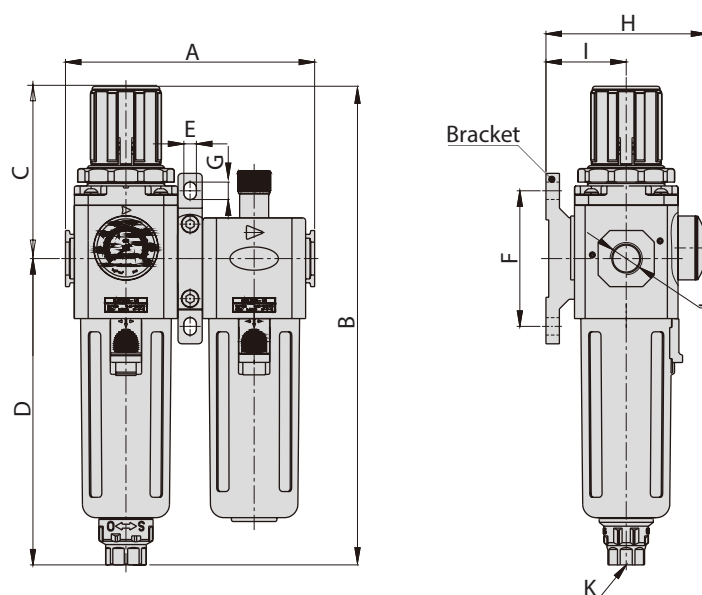
*Flow rates GACL 11, GACL 11 A approx. 22% less

»GA« Series

GACL 11–GACL 55 A

Body dimensions

GACL 11–GACL 13, GACL 32, GACL 33, GACL 11 A–GACL 13 A, GACL 32 A, GACL 33 A



Article Nr.	Type	A	B	C	D	E	F	G	H	I	J	K
178491, 178496	GACL 11, GACL 11 A	128,5	247,0	89,0	158,0	6,5	70,0	9,0	83,0	41,5	1/4"	G1/4
178492, 178497	GACL 12, GACL 12 A	128,5	247,0	89,0	158,0	6,5	70,0	9,0	83,0	41,5	3/8"	G1/4
178493, 178498	GACL 13, GACL 13 A	128,5	247,0	89,0	158,0	6,5	70,0	9,0	83,0	41,5	1/2"	G1/4
178494, 178499	GACL 32, GACL 32 A	164,0	285,5	108,0	177,5	8,6	80,0	12,0	99,0	50,0	3/8"	G1/4
178495, 178500	GACL 33, GACL 33 A	164,0	285,5	108,0	177,5	8,6	80,0	12,0	99,0	50,0	1/2"	G1/4
178501, 178503	GACL 34, GACL 34 A	206,0	336,5	131,5	205,0	11,0	100,0	16,0	128,0	70,0	3/4"	G1/4
178502, 178504	GACL 55, GACL 55 A	206,0	336,5	131,5	205,0	11,0	100,0	16,0	128,0	70,0	1"	G1/4

(Value in mm, exception K = inch)

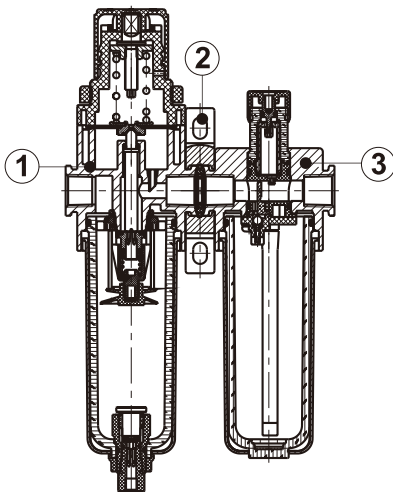
»GA« Series

GACL 11–GACL 55 A

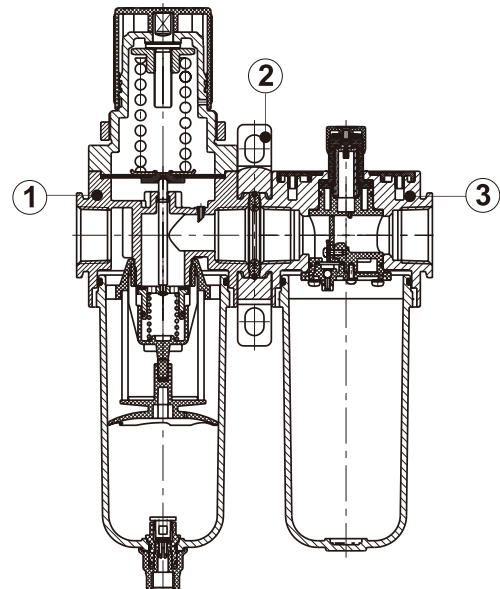
Components and materials

No.	Item	Material (body)
1	G series filter-regulator	Aluminium alloy
2	Bracket	Aluminium alloy
3	G series lubricator	Aluminium alloy

GACL 11 - GACL 33 A









GACL 34 - GACL 55 A



»GA« Series

GACL 11–GACL 55 A

Accessoires

	For GACL 11–GACL 13 and GACL 11 A–GACL 13 A		For GACL 32, GACL 33, GACL 32 A and GACL 33 A		For GACL 34, GACL 55, GACL 34 A and GACL 55 A		description
	Art. No.	Type	Art. No.	Type	Art. No.	Type	
no image available	179141	GAR 11 120	179142	GAR 32 120	179142	GAR 32 120	Adapter plate for mounting standard pressure gauges
	101672	110.46-KD	101677	206-KD	101677	206-KD	Standard pressure gauges
	179146	GAF 11 400	179144	GAF 32 400	179143	GF 34 400	Filter element 5 µm
	116482	HW 300	116484	HW 400	116486	HW 600	Mounting bracket
	116613	UB 300	116614	UB 400	116615	UB 600	Joiner without wall mounting
	116516	LB 300	116517	LB 400	116518	LB 600	Joiner with wall mounting, 1 drilled hole
	116609	TB 300	116610	TB 400	116611	TB 600	Joiner with wall mounting, 2 drilled holes