

## »GA« Series

GAL 11–GAL 55

Symbol



### Product features

Proportional lubricators, oil can be filled under pressure.

### Specifications / Technical data

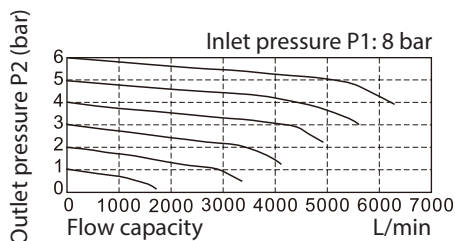
Type	Size 300			Size 400		Size 600	
	GAL 11	GAL 12	GAL 13	GAL 32	GAL 33	GAL 34	GAL 55
Fluid	Air						
Port size	1/4"	3/8"	1/2"	3/8"	1/2"	3/4"	1"
Pressure range	0.5 to 9 bar (0.05 to 0.9 MPa, 7 to 130 psi)						
Inlet pressure max.	10 bar (1.0 MPa, 145 psi)						
Temperature range	-5 to 70 °C						
Capacity of oil bowl	98 cm <sup>3</sup>			185 cm <sup>3</sup>		410 cm <sup>3</sup>	
Weight	370 g			660 g		1040 g	
Drop rate at qv = 1000 l/min	1 to 2 drops/min (recommended value)						
Oil grade	Mineral oil, viscosity 32 cSt, acc. to DIN 51524 - ISO VG 32						

### Ordering information

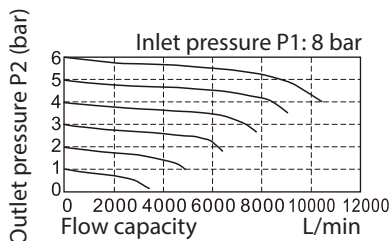
Type	description
GAL 11–GAL 13, GAL 32, GAL 33	Oil-mist lubricators with polycarbonate bowl, bowl guard and »HW« mounting bracket
GAL 34, GAL 55	Oil-mist lubricators with metal bowl, sight glass and »HW« mounting bracket

### Flow chart

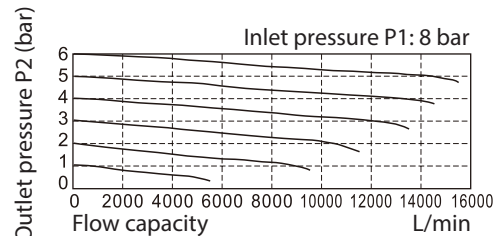
GL 12\*, GL 13



GL 32, GL 33



GL 34, GL 55



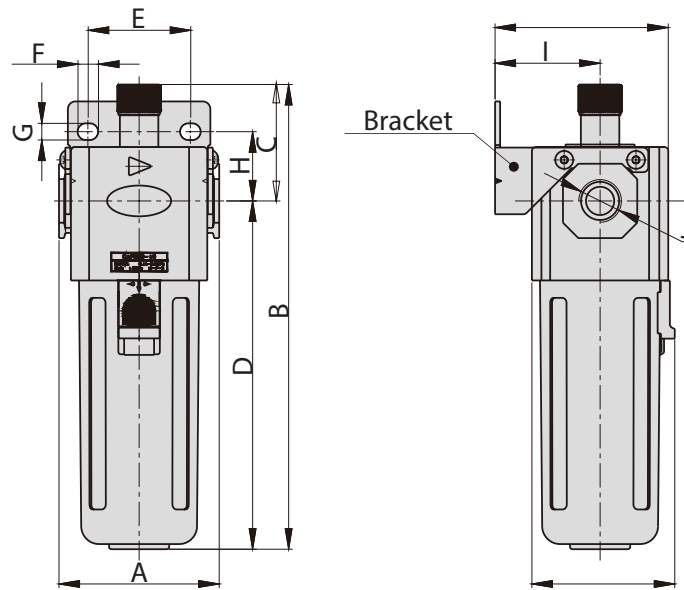
\*Flow rates GAL 11 approx. 17% less

## »GA« Series

GAL 11–GAL 55

### Body dimensions

GAL 11–GAL 13, GAL 32, GAL 33



Article number	Type	A	B	C	D	E	F	G	H	I	J
178456, 178461	GAF 11, GAF 11 A	62,5	181,0	45,0	136,0	40,0	8,0	6,5	27,0	41,0	1/4"
178457, 178462	GAF 12, GAF 12 A	62,5	181,0	45,0	136,0	40,0	8,0	6,5	27,0	41,0	3/8"
178458, 178463	GAF 13, GAF 13 A	62,5	181,0	45,0	136,0	40,0	8,0	6,5	27,0	41,0	1/2"
178459, 178464	GAF 32, GAF 32 A	80,0	204,5	49,5	155,0	55,0	11,0	8,5	33,5	50,0	3/8"
178460, 178465	GAF 33, GAF 33 A	80,0	204,5	49,5	155,0	55,0	11,0	8,5	33,5	50,0	1/2"
178466, 178468	GAF 34, GAF 34 A	100,0	246,0	63,5	182,5	66,0	13,0	11,0	50,0	70,0	3/4"
178467, 178469	GAF 55, GAF 55 A	100,0	246,0	63,5	182,5	66,0	13,0	11,0	50,0	70,0	1"

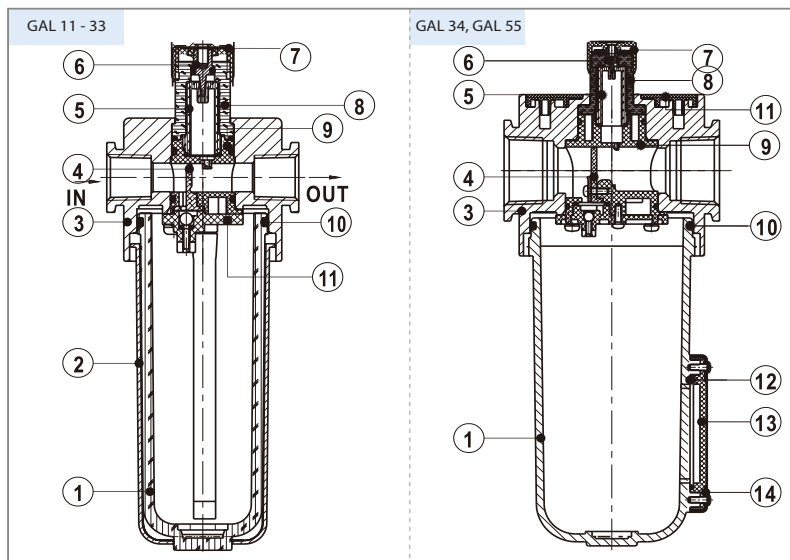
(Value in mm, exception J = inch)

**»GA« Series**

GAL 11–GAL 55

**Components and materials**





No.	Item	Material
1	Oil Bowl	Aluminum alloy / PC
2	Meter cover	SPCC
3	Body of lubricator	Aluminum alloy
4	Distance block	PU
5	Drip pipe	PC
6	Ejector pin	Brass
7	Adjusting ring	POM
8	Adjusting looker	PC
9	Sprayer body	PA66
10	O-ring	NBR
11	Sprayer bottom cap	POM
12	Liquid meter seal	NBR
13	Liquid meter inside cover	PC
14	Liquid meter cover	SPCC



## »GA« Series

GAL 11–GAL 55

### Accessories

	For GAL 11–GAL 13		For GAL 32 und GAL 33		For GAL 34 und GAL 55		description
	Art. No.	Type	Art. No.	Type	Art. No.	Type	
	179148	HW 301-A	116485	HW 401	116487	HW 601	Mounting bracket, incl. 4 screws
	116613	UB 300	116614	UB 400	116615	UB 600	Joiner without wall mounting
	116516	LB 300	116517	LB 400	116518	LB 600	Joiner with wall mounting, 1 drilled hole
	116609	TB 300	116610	TB 400	116611	TB 600	Joiner with wall mounting, 2 drilled holes