



351.512

## 2/2-way ball valve

**Pneumatic actuator**

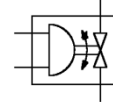
**Double air-piloted**

**Interface to ISO 5211**

**Stainless steel valve**

### 351.509 – 351.515

**Rp 3/8 to Rp 2 (ISO 7/1)**



### Characteristics

Type of operation	Double air-piloted
Port	Rp 3/8 to Rp 2 screwed end
Type of construction	Ball valve with floating precision ball in PTFE half shells
Nominal diameter	10 - 50 mm
Mounting position	Any
Rated pressure of ball valve	- See pressure-temperature diagram -
<b>Pilot pressure (actuator)</b>	<b>5.6 to 8.4 bar</b>
Pilot fluid	Filtered, dry compressed air
Operating temperature	-20 to +80°C Wider temperature range (max. 150°C) on request
Flow direction	Any
Flow media	Air, water, gas and corrosive media
Valve adapter	<b>Pre-assembled</b>
Pneumatic control	Directly mounted or separate 5/2-way valves Electrically operated (see "Accessories") <b>On request:</b> Pneumatically or manually operated

### Kv values

Art. No.	m³/h
351.509 / 351.509-1	11
351.510 / 351.510-1	20
351.511	60
351.512	100
351.513	130
351.514	170
351.515	280

### Torques (valve at 0°)

Art. No.	Nm
395.499	8
395.500	10
395.501	14
395.502	20
395.503	28
395.504	40
395.505	56

### Ordering data

Valve with actuator		Actuator	Valve		Weight [kg]
Art. No.	Thread Rp (ISO 7/1)	Part No.	Part No.	Part No.	
351.509	3/8	1590.00	395.499	1.24	1.24
351.509-1	3/8	1590.00	395.499	1.24	1.24
351.510	1/2	1590.00	395.500	1.31	1.31
351.510-1	1/2	1590.00	395.500	1.31	1.31
351.511	3/4	3090.00	395.501	1.69	1.69
351.512	1	3090.00	395.502	1.93	1.93
351.513	1 1/4	-*	-*	2.69	2.69
351.514	1 1/2	6090.00	395.504	3.54	3.54
351.515	2	9090.00	-*	5.18	5.18

### Materials

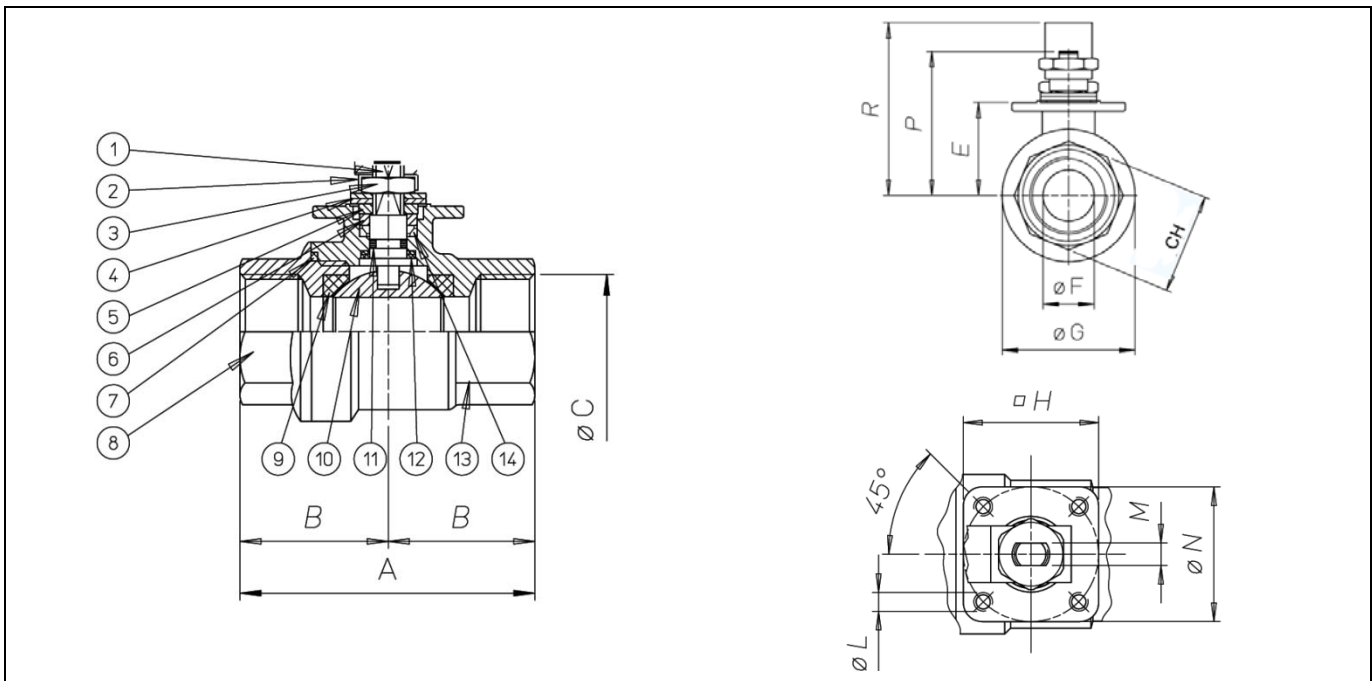
No. -Nr.	Designation	Material No.	
		AISI	DIN
1	Shaft	316	1.4401
2	Washer	304	1.4301
3	Fixing nut	304	1.4301
4	Spring cup	301	1.4310
5	Spacer ring	304	1.4301
6	Stuffing box	304	1.4301
7	Sealing washer	PTFE	
8	Body	316	1.4408
9	Ball seal	PTFE	
10	Ball	316	1.4401
11	O-ring	FPM	
12	Bottom shaft seal	PTFE	
13	Body	316	1.4408
14	Top shaft seal	PTFE	

### Accessories / spare parts

Order No.	351.509 351.509-1	351.510 351.510-1	351.511	351.512	351.513	351.514	351.515
<b>Actuator</b>	1590.00 (DA 15)	1590.00 (DA 15)	3090.00 (DA 30)	3090.00 (DA 30)	-*	6090.00 (DA 60)	9090.00 (DA 90)
<b>Repair kit (actuator)</b>	22.1590.00	22.1590.00	22.3090.00	22.3090.00	22.4590.00	22.6090.00	-*
<b>Ball valve</b>	395,499	395,500	395,501	395,502	-*	395,504	-*
<b>Assembly kit</b>	MSE.1590	MSE.1590	MSE.3090	MSE.3090	MSE.4590	MSE.4590	MSE.9090
<b>Valve conversion plate</b>	350.890	350.890	350.891	350.891	350.891	350.891	350.891
<b>Pilot valves, NAMUR, 5/2-way (accessories)</b>	551.32 24 V DC				551.31 230 V/50 Hz		

\* Replacement articles can be supplied on request!

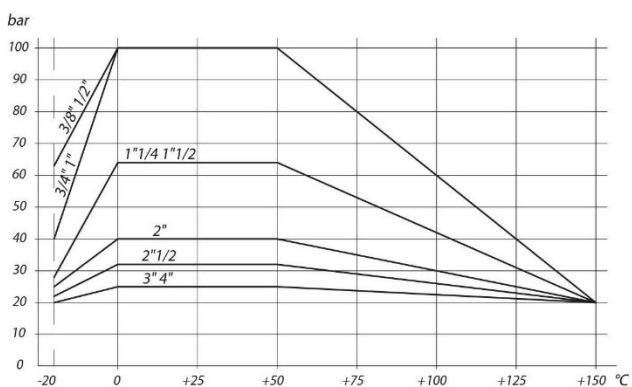
Dimensions (valve)



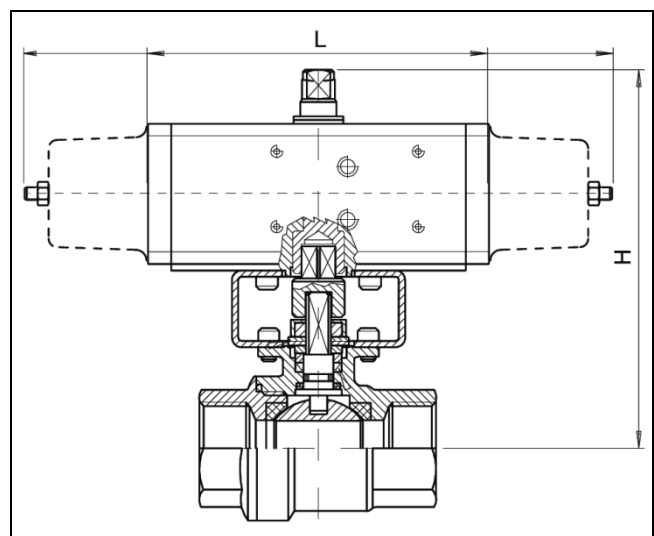
Dimensions [mm]

Art. No.	A	B	øC	E	øF	øG	□H	øL	□M	øN	CH	P	R	S	L	H
<b>351.509</b>	51	25.5	3/8"	19.5	10	29	36	M5	4	36	21.5	37	52	110	114	133.5
Art. No. 103581 = discontinued product. No longer available. New product 154071 (351.509-1)																
<b>351.509-1</b>	51	25.5	3/8"	19.5	10	29	36	M5	4	36	21.5	37	52	110	114	133.5
<b>351.510</b>	61	30.5	1/2"	24.5	15	34	36	M5	4	36	26.5	42	55	110	114	138.5
Art. No. 103582 = discontinued product. No longer available. New product 154072 (351.510-1)																
<b>351.510-1</b>	61	30.5	1/2"	24.5	15	34	36	M5	4	36	26.5	42	55	110	114	138.5
<b>351.511</b>	70	35	3/4"	30.5	20	42.5	36	M5	6	36	31.5	52	66	140	130	152.5
<b>351.512</b>	85	42.5	1"	34.5	25	50.5	36	M5	6	36	40.5	56	70	140	130	156.5
<b>351.513</b>	95	47.5	1 1/4"	42	32	63	42	M5	8	42	49.5	68	85	180	144	171
<b>351.514</b>	105	52.5	1 1/2"	48	40	75.5	42	M5	8	42	54.5	74	91	180	152	181
<b>351.515</b>	125	62.5	2"	55	50	91	50	M6	10	50	69.5	87	105	230	169	196

Pressure / temperature



Basic dimensions [mm] (with actuator)



## Standards and directives

<b>97/23/EC (PED)</b>	<i>Scope: Art. 3, Section 3 Unmarked (acc. to Annex II, Diagram 2, Art. 3, Section 3 is applicable)</i>
<b>RoHS</b>	<i>Not applicable</i>