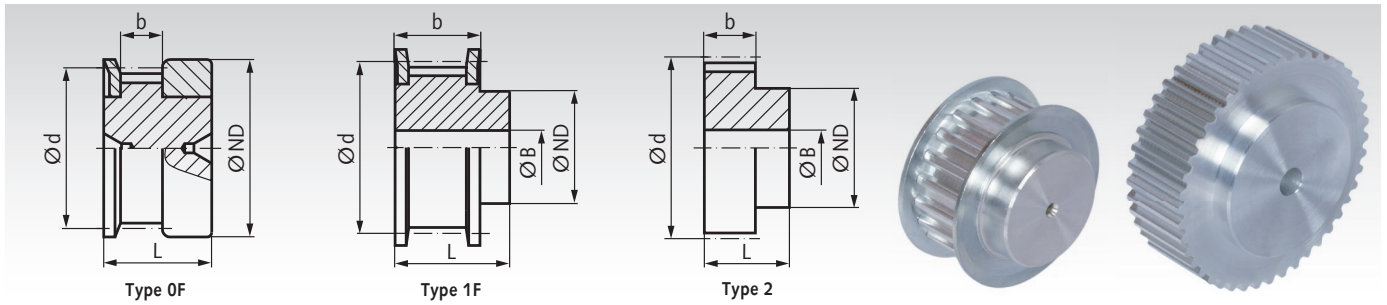


T Pulleys, Pitch 2.5 mm Made from Aluminium



Material: Aluminium similar to EN AW2017A. Flanges zinc-plated steel.

Ordering Details: e.g.: Product No. 160 210 00, Pulley, Pitch T2.5, 10 Teeth, Timing Belt Width 6 mm

Profile T 2.5, Timing Belt Width 6 mm

Product No. Belt Width 6 mm	Type	Number of teeth	Type	Outside Ø			ND mm	b mm	L mm	Pilot Hole B mm	Weight g
				Pulley mm	Flange mm	d mm					
160 210 00	16 T2,5/10-2	10	0F	7,46	12,0	7,96	10	9	16	-	
160 211 00	16 T2,5/11-2	11	0F	8,25	12,0	8,75	10	9	16	-	
160 212 00	16 T2,5/12-2	12	0F	9,05	13,0	9,55	12	9	16	-	3
160 213 00	16 T2,5/13-2	13	0F	9,85	13,0	10,35	12	9	16	-	4
160 214 00	16 T2,5/14-2	14	0F	10,64	15,0	11,14	14	9	16	-	4
160 215 00	16 T2,5/15-2	15	0F	11,44	15,0	11,94	15	9	16	-	5
160 216 00	16 T2,5/16-2	16	0F	12,23	16,0	12,73	16	9	16	-	5
160 217 00	16 T2,5/17-2	17	1F	13,03	18,0	13,53	10	10	16	3	6
160 218 00	16 T2,5/18-2	18	1F	13,82	18,0	14,32	10	10	16	3	6
160 219 00	16 T2,5/19-2	19	1F	14,62	18,0	15,12	10	10	16	3	7
160 220 00	16 T2,5/20-2	20	1F	15,42	19,5	15,92	11	10	16	3	8
160 222 00	16 T2,5/22-2	22	1F	17,01	23,0	17,51	11	10	16	3	9
160 224 00	16 T2,5/24-2	24	1F	18,60	23,0	19,10	12	10	16	3	12
160 225 00	16 T2,5/25-2	25	1F	19,39	23,0	19,89	13	10	16	3	13
160 226 00	16 T2,5/26-2	26	1F	20,19	25,0	20,69	14	10	16	4	14
160 228 00	16 T2,5/28-2	28	1F	21,78	25,0	22,28	14	10	16	4	16
160 230 00	16 T2,5/30-2	30	1F	23,37	28,0	23,87	16	10	16	6	18
160 232 00	16 T2,5/32-2	32	1F	24,96	32,0	25,46	16	10	16	6	20
160 236 00	16 T2,5/36-2	36	1F	28,15	36,0	28,65	20	10	16	6	26
160 240 00	16 T2,5/40-2	40	1F	31,33	38,0	31,83	22	10	16	6	32
160 244 00	16 T2,5/44-0	44	2	34,51	-	35,01	24	10	16	6	40
160 248 00	16 T2,5/48-0	48	2	37,70	-	38,20	26	10	16	6	48
160 260 00	16 T2,5/60-0	60	2	47,25	-	47,75	34	10	16	8	73
160 272 00	16 T2,5/72-0	72	2	56,80	-	57,30	34	10	16	10	
160 284 00	16 T2,5/84-0	84	2	66,35	-	66,85	38	10	16	10	
160 296 00	16 T2,5/96-0	96	2	75,89	-	76,39	40	10	16	10	

Profile T 2.5, Timing Belt Width 10 mm

Product No. Belt Width 10 mm	Type	Number of teeth	Type	Outside Ø			ND mm	b mm	L mm	Pilot Hole B mm	Weight g
				Pulley mm	Flange mm	d mm					
160 310 00	20 T2,5/10-2	10	0F	7,46	12,0	7,96	10	13	20	-	
160 311 00	20 T2,5/11-2	11	0F	8,25	12,0	8,75	10	13	20	-	
160 312 00	20 T2,5/12-2	12	0F	9,05	13,0	9,55	12	13	20	-	4
160 313 00	20 T2,5/13-2	13	0F	9,85	13,0	10,35	12	13	20	-	5
160 314 00	20 T2,5/14-2	14	0F	10,64	15,0	11,14	14	13	20	-	6
160 315 00	20 T2,5/15-2	15	0F	11,44	15,0	11,94	15	13	20	-	7
160 316 00	20 T2,5/16-2	16	0F	12,23	16,0	12,73	16	13	20	-	7
160 317 00	20 T2,5/17-2	17	1F	13,03	18,0	13,53	10	14	20	3	8
160 318 00	20 T2,5/18-2	18	1F	13,82	18,0	14,32	10	14	20	3	8
160 319 00	20 T2,5/19-2	19	1F	14,62	18,0	15,12	10	14	20	3	10
160 320 00	20 T2,5/20-2	20	1F	15,42	19,5	15,92	11	14	20	3	11
160 322 00	20 T2,5/22-2	22	1F	17,01	23,0	17,51	11	14	20	3	13
160 324 00	20 T2,5/24-2	24	1F	18,60	23,0	19,10	12	14	20	3	17
160 325 00	20 T2,5/25-2	25	1F	19,39	23,0	19,89	13	14	20	3	18
160 326 00	20 T2,5/26-2	26	1F	20,19	25,0	20,69	14	14	20	4	20
160 328 00	20 T2,5/28-2	28	1F	21,78	25,0	22,28	14	14	20	4	22
160 330 00	20 T2,5/30-2	30	1F	23,37	28,0	23,87	16	14	20	6	25
160 332 00	20 T2,5/32-2	32	1F	24,96	32,0	25,46	16	14	20	6	28
160 336 00	20 T2,5/36-2	36	1F	28,15	36,0	28,65	20	14	20	6	36
160 340 00	20 T2,5/40-2	40	1F	31,33	38,0	31,83	22	14	20	6	45
160 344 00	20 T2,5/44-0	44	2	34,51	-	35,01	24	14	20	6	56
160 348 00	20 T2,5/48-0	48	2	37,70	-	38,20	26	14	20	6	67
160 360 00	20 T2,5/60-0	60	2	47,25	-	47,75	34	14	20	8	102
160 372 00	20 T2,5/72-0	72	2	56,80	-	57,30	34	14	20	10	
160 384 00	20 T2,5/84-0	84	2	66,35	-	66,85	38	14	20	10	
160 396 00	20 T2,5/96-0	96	2	75,89	-	76,39	40	14	20	10	