

three-piece, »FUTURA« series

Three-piece service units with excellent flow rates in modern design.

Lockable diaphragm pressure regulator with secondary ventilation, oil can be filled without interrupting operation.

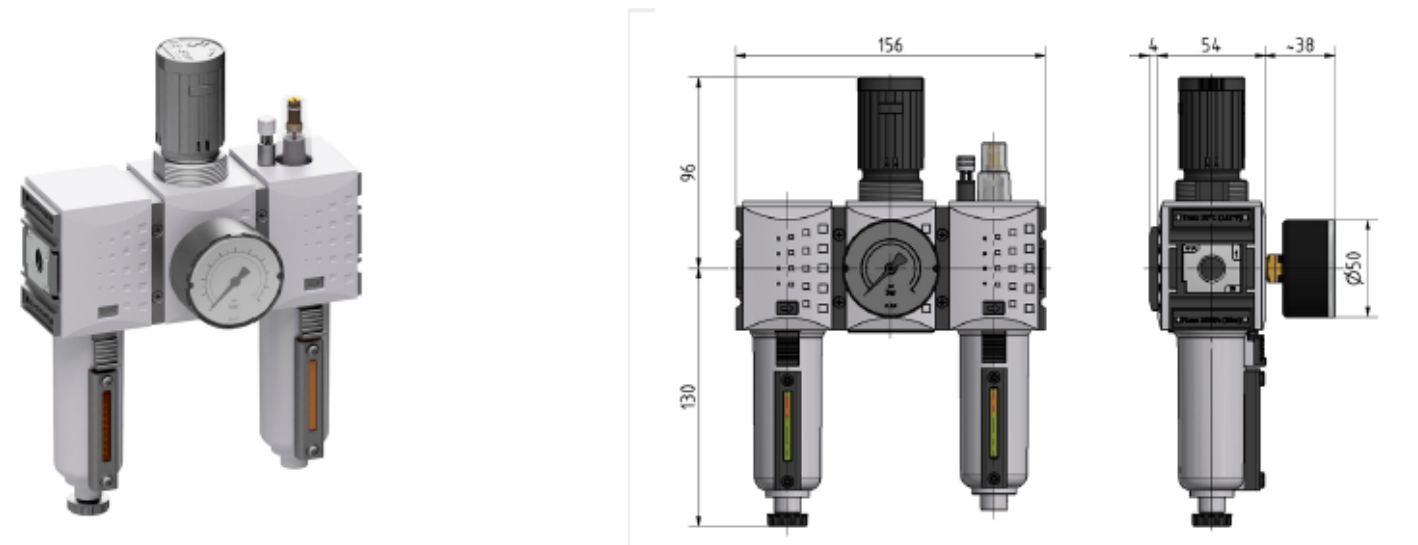
Input pressure	1.5 - 16 bar
Temperature range	-10 °C to 50 °C
Medium	Compressed air, neutral gases
Housing	PA66 GF60
Connecting thread	Material: Die-cast zinc
Filter element	Cellpor (PE)
Filter rating	5 µm
Sight dome	PC
Sealant	NBR
Diaphragms	NBR
Flow rate measurement	At P ₁ = 10 bar, P ₂ = 6.3 bar and pressure drop Δ _p = 1 bar

Service unit, 3-piece with metal bowl, sight glass and pressure gauge

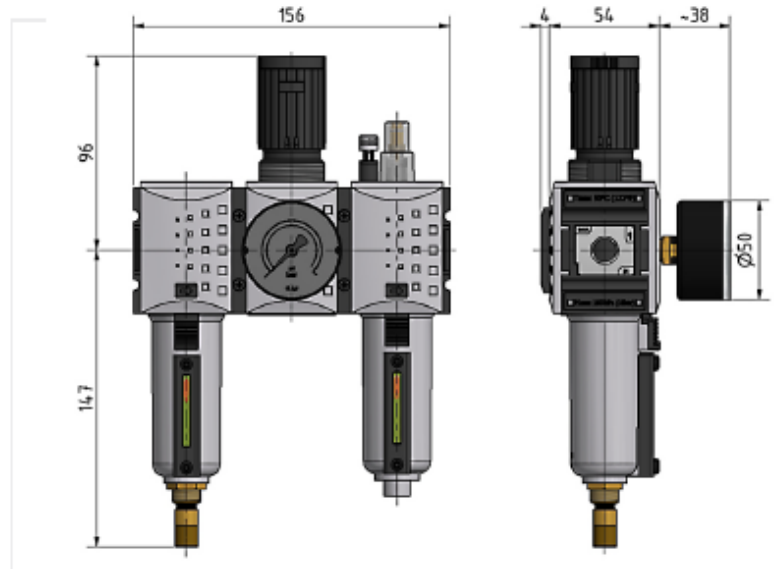
Art. No.	Type No.	Thread	Size	Control range bar	Pressure gauge display bar	Flow rate l/min	Condensate drain
152663	FU 621-M-1	G 1/4	1	0.1 - 1	0 - 1.6	1750	Semi-automatic
152664	FU 621-M-2	G 1/4	1	0.1 - 2	0 - 2.5	1750	Semi-automatic
152665	FU 621-M-4	G 1/4	1	0.2 - 4	0 - 6	1750	Semi-automatic
152666	FU 621-M	G 1/4	1	0.5 - 8	0 - 10	1750	Semi-automatic
152667	FU 621-M-10	G 1/4	1	0.5 - 10	0 - 16	1750	Semi-automatic
152668	FU 621-M-16	G 1/4	1	0.5 - 16	0 - 25	1750	Semi-automatic
152669	FU 622-M-1	G 3/8	1	0.1 - 1	0 - 1.6	1750	Semi-automatic
152670	FU 622-M-2	G 3/8	1	0.1 - 2	0 - 2.5	1750	Semi-automatic
152671	FU 622-M-4	G 3/8	1	0.2 - 4	0 - 6	1750	Semi-automatic
152672	FU 622-M	G 3/8	1	0.5 - 8	0 - 10	1750	Semi-automatic
152673	FU 622-M-10	G 3/8	1	0.5 - 10	0 - 16	1750	Semi-automatic
152674	FU 622-M-16	G 3/8	1	0.5 - 16	0 - 25	1750	Semi-automatic
152687	FU 633-M-1	G 1/4	1	0.1 - 1	0 - 1.6	1750	Fully-automatic
152688	FU 633-M-2	G 1/4	1	0.1 - 2	0 - 2.5	1750	Fully-automatic
152689	FU 633-M-4	G 1/4	1	0.2 - 4	0 - 6	1750	Fully-automatic
152690	FU 633-M	G 1/4	1	0.5 - 8	0 - 10	1750	Fully-automatic
152691	FU 633-M-10	G 1/4	1	0.5 - 10	0 - 16	1750	Fully-automatic
152692	FU 633-M-16	G 1/4	1	0.5 - 16	0 - 25	1750	Fully-automatic
152693	FU 634-M-1	G 3/8	1	0.1 - 1	0 - 1.6	1750	Fully-automatic
152694	FU 634-M-2	G 3/8	1	0.1 - 2	0 - 2.5	1750	Fully-automatic
152695	FU 634-M-4	G 3/8	1	0.2 - 4	0 - 6	1750	Fully-automatic
152696	FU 634-M	G 3/8	1	0.5 - 8	0 - 10	1750	Fully-automatic
152697	FU 634-M-10	G 3/8	1	0.5 - 10	0 - 16	1750	Fully-automatic
152698	FU 634-M-16	G 3/8	1	0.5 - 16	0 - 25	1750	Fully-automatic

Accessories / spare parts

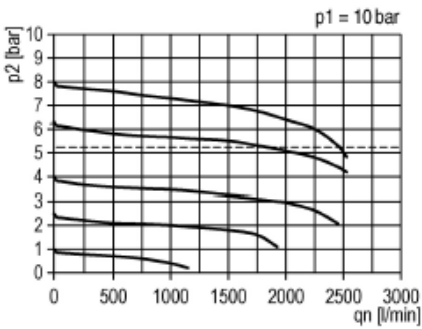
Art. No.	Type No.	Description
100038	H 850	Mounting bracket, incl. 2 screws
100039	WK 100	Wall bracket, incl. 2 screws
100040	KP 100	Joiner set, incl. 2 screws
100130	BSF 14	Polycarbonate bowl, incl. bowl guard
100212	BSL 14	Polycarbonate bowl, incl. bowl guard for oiler
100131	MF 14	Metal bowl, incl. sight glass
100213	ML 14	Metal bowl, incl. sight glass for oiler
100132	BSF 14-A	Polycarbonate bowl with automatic drain valve
100133	MF 14-A	Metal bowl, incl. sight glass, with automatic drain valve
100041	FU 11-55	Panel nut M36x1.5
100037	SS 32	Key lock
135851	WK 101-14	Wall bracket with connection thread G 1/4
135852	WK 101-38	Wall bracket with connection thread G 3/8
152945	H 851	Mounting bracket with control panel nut M36x1.5
100134	611.6.905	Filter element 5 µm, cellpor
100214	901.7.990	Sight dome, polycarbonate
100042	22.7010.4	Seal kit for pressure regulator
100362	655.6.900	Automatic drain valve

Semi-automatic:


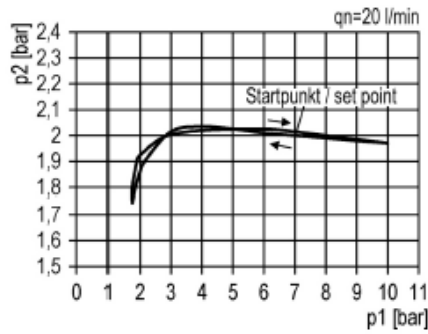
Fully-automatic:



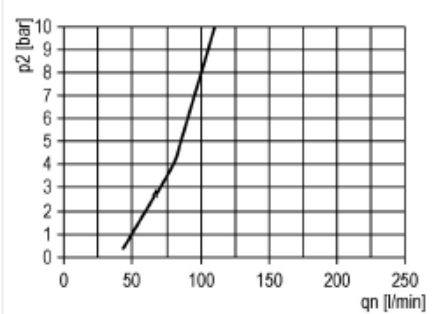
flow characteristic



pressure characteristic



lubricator operating limit



symbol

