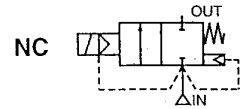




**Normally closed**  
Combined-operation diaphragm  
Rp 1 - 1 1/4 - 1 1/2

**MV 1219/0**  
**MV 1229/0**  
**MV 1220/0**  
**MV 1221/0**

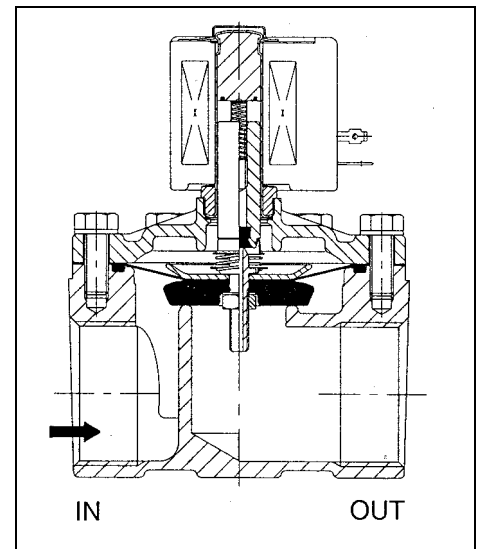


### Description

- Shut-off valve for controlling air, inert gas, water, light oil and other media according to the seal materials used.
- The valves do **not** require a minimum operating pressure.
- The high-quality materials used for the valves and extensive testing guarantee a long service life.
- The solenoid valves are in line with international standards.

### General

<b>Pressure difference</b>	0 to 9 bar [1 bar = 100 kPa]
<b>Permissible static pressure</b>	18 bar
<b>Maximum viscosity</b>	65 cSt (mm <sup>2</sup> /s)
<b>Response time</b>	15 to 120 ms



Medium	Temperature range (1)	Seals	Order No.	
			NBR	FPM
Air, gas, water, light oil	-20 to +85 °C -10 to +130 °C	NBR FPM	MV 1219/0 MV 1220/0 MV 1221/0	MV 1229/0

(1) At temperatures below zero the medium may freeze and damage the valve.

### Electrical data

<b>Voltages (2)</b>	DC (=) 24 V - 12 V → Please use the suffix »G« to order DC valves
	AC (~) 24 V/50 Hz - 110 V/50 Hz - 230 V/50 Hz

Coil type	(2) Other voltages and 60 Hz frequency on request				Ambient temperature (1)	Degree of protection (with connector socket fitted)
	Pickup	Holding		Hot / cold =		
		(VA)	(VA)			
CM12-FT MLXX-HP	110 -	23.6 -	15.4 -	- 21 / 30.6	-20 to +75 -20 to +25	IP65 NEMA 3, 7, 9

### Characteristics

Con- nec- tion	Nom- inal dia- meter	Flow coefficient Kv		Operating pressure difference (bar)						Coil type		Catalogue No. Please use the suffix »G« to order DC valves		
				Min.	Max.			~	=					
					~	=	~			=	~			=
1	25	11.1	185	0	9	7	9	7	9	5	CM12-FT	MLXX-HP	MV 1219/0	MV 1229/0
1 1/4	28	12.8	213	0	9	7	9	7	9	5	CM12-FT	MLXX-HP	MV 1220/0	
1 1/2	32	19.3	322	0	9	7	9	7	9	5	CM12-FT	MLXX-HP	MV 1221/0	

**Design features**

	MV 1219/0 to MV 1221/0	MV 1229/0
Body	Brass	Brass
Guide tube	Stainless steel	Stainless steel
Magnet armature and armature plug	Stainless steel	Stainless steel
Springs	Stainless steel	Stainless steel
Valve seat	Brass	Brass
Seals	NBR	FPM
Diaphragm and valve disc	NBR	FPM
Shading ring	Copper	Copper
Insulation class (coil)	F or H	F or H
Electrical connection	ISO 4400; connector socket (PG 11P)	ISO 4400; connector socket (PG 11P)
Electrical design	IEC 335	IEC 335

**Main spare parts**

Order No.	Repair kit	Diaphragms
MV 1219/0	302283	202715-044
MV 1219 G/0	On request	On request
MV 1220/0	302283	202715-044
MV 1220 G/0	On request	On request
MV 1221/0	302286	202715-045
MV 1221 G/0	On request	On request
MV 1229/0	302283V	202715-058
MV 1229 G/0	On request	On request

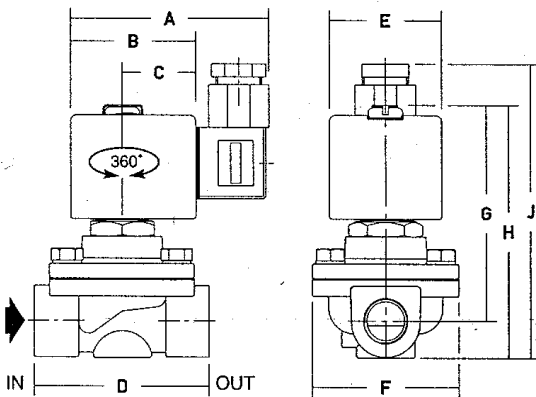
**Coils**

Order No.	Coils				Insulation class		Max. perm. operating temperature °C		Max. perm. temperature rise °C*		Max. perm. ambient temperature °C**	
	~ (2)	V	= (3)	V	~	=	~	=	~	=	~	=
MV 1219/0 MV 1229/0 MV 1220/0 MV 1221/0	400-525-101 400-525-107 400-525-117	24 110 230	MLXX-HP	24	FT	HP	155	180	80	155	75	25

(2) Other voltages and 60 Hz frequency on request  
 (3) Please use the suffix »G« to order DC valves

\* Coil temperature after energising  
 \*\*Additional effect of the medium temperature within the value range stated in the catalogue

**Dimensions [mm], weights [g]**



Order No.	1219/0 1229/0	1220/0	1221/0	G 1	G 1 1/4	G 1 1/2
»MV«	(~)	(~)	(~)	(=)	(=)	(=)
A	86	86	86	83	83	83
B	56	56	56	64	64	64
C	33	33	33	32	32	32
D	95	95	111	95	95	111
E	50	50	50	64	64	64
F	83	83	99	83	83	99
G	112	112	125	133	140	146
H	132	143	153	154	165	175
J	137	148	158	-	-	-
Weight (4)	2000	2500	2500			

**Special versions (on request)**

(4) Including coil and connector socket

- Seals and valve disc made of EPDM (ethylene-propylene) and CR (neoprene)
- Explosion proof body in accordance with CENELEC and national standards
- High-power coil
- Slow closing
- Mounting bracket for valves with a brass body
- Manual operator
- Connector socket with LED and protective circuit

**Installation**

- **Mounting position:** Valves with CM12FT magnet: Any  
 Valves with MLXX-HP magnet: **Piping axis horizontal, magnetic head on top**
- Other screw connections on request
- Installation and maintenance instructions enclosed with each valve
- Spare parts and replacement coils (see above)