



Service unit 3-piece

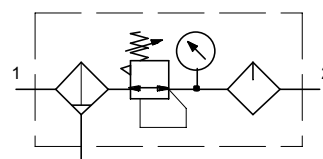
Size 1

>FU 6XX< Series

G 1/4

G 3/8

5 µm



Description

Service unit as a pre-assembled combination of individual service units in the "*Futura*" series. The filter, pressure regulator and oil-mist lubricator unite compressed air conditioning (filtration), preselection of a required working pressure (regulator) and the ability to meter the addition of oil.

Characteristics

Type	FU 621	FU 633	FU 622	FU 634
Port (thread)	G 1/4		G 3/8	
Type of construction	- Centrifugal filter - Diaphragm pressure regulator with self-relieving design - Standard oil-mist lubricator, refilling under pressure			
Medium	Compressed air, neutral gases			
Mounting position	Vertical			
Temperature Medium / ambient	Max. 50°C			
Input pressure Pin			Min. 1.5 bar Min. 1.5 bar Max. 16 bar	
	- With semi-automatic drain - With automatic drain - With manual drain			
Control range (output pressure)	0.1 to 1 bar / 0.1 to 2 bar / 0.2 to 4 bar / 0.5 to 8 bar / 0.5 to 10 bar / 0.5 to 16 bar			
Filter rating	Pore size 5 µm			
Bowl capacity			Filter:	28 cm ³
			Oil-mist lubricator:	40 cm ³
Condensate drain	Semi-automatic / fully automatic – pressureless exhaust			
Drip rate at Qv = 1000 l/min	1 – 2 drops (recommended value)			
Oil grade	32 acc. to DIN 51517 – ISO VG 32			
Mounting type	Bracket, wall mounting			

Materials

Part	Material:
Head pc. / spring bonnet / handwh.	PA66 GF60
Diaphragm	Brass / NBR / PA 6
Bowl	Polycarbonate
Bowl guard	Polyamide
Metal bowl	Die-cast zinc
O-rings	NBR
Filter element	Cellpor
Sight dome	Polycarbonate
Threaded plate	Die-cast zinc

Ordering information

- The service units are delivered in single packs
- Pressure gauge incl. in scope of supply

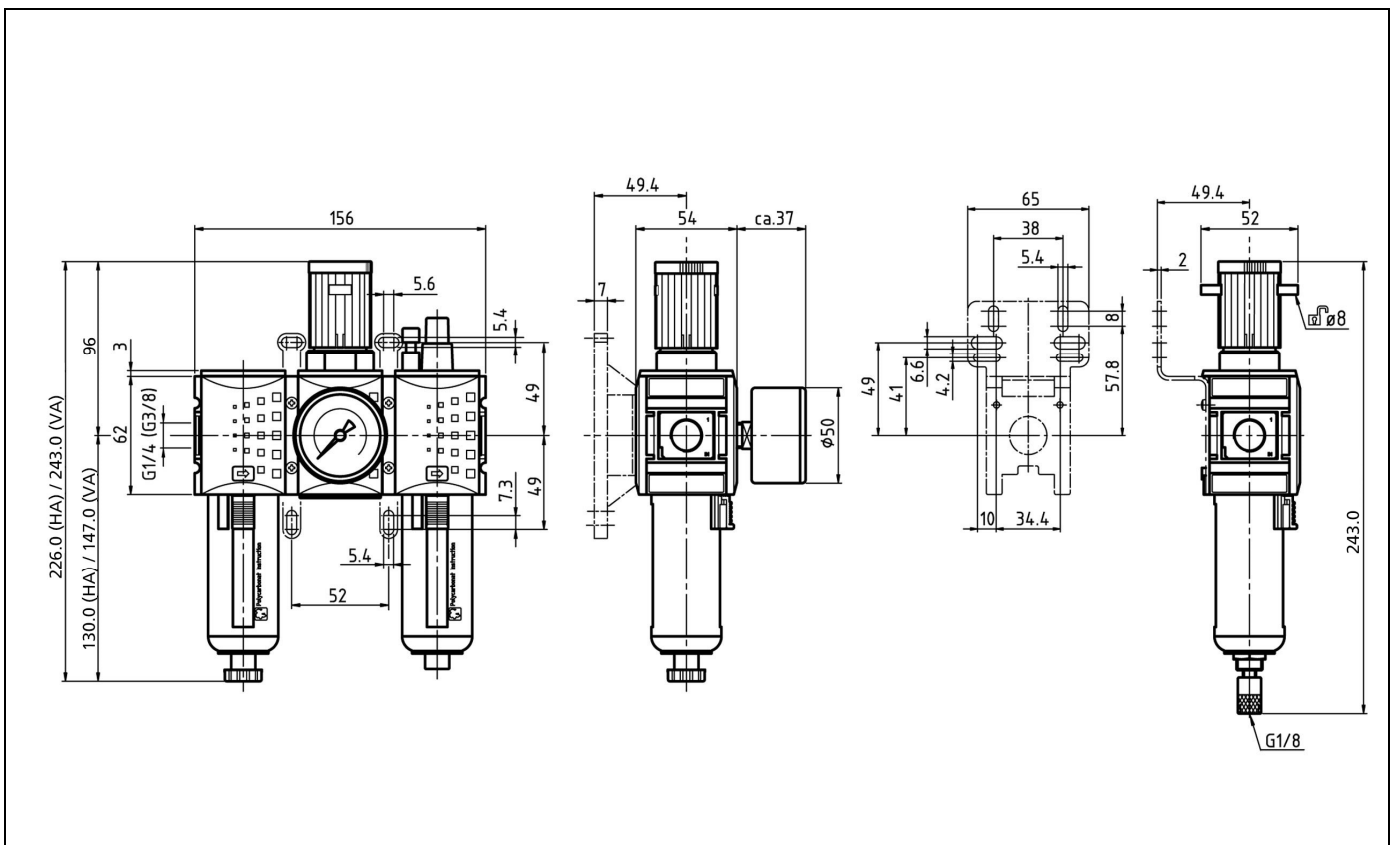
Accessories

Designation	Art. No.
Mounting bracket, incl. screws	H 850
Joiner set with wall bracket	WK 100
Joiner set	KP 100
Polycarbonate bowl with bowl guard / filter	BSF 14
Polycarb. bowl with bowl guard / lubricator	BSL 14
Polycarb. bowl with fully autom. drain valve	BSF 14-A
Metal bowl / filter	MF 14
Metal bowl / lubricator	ML 14
Metal bowl with fully automatic drain valve	MF 14-A
Lock	SS 32

Spare parts

Designation	Art. No.
Set of seals for pressure regulator	22.7010.4
Sight dome, polycarbonate	901.7.990
Filter element 5 µm	611.6.905
Panel nut	FU 11-55
Wall bracket with connection thread G 1/4	WK 101-14
Wall bracket with connection thread G 3/8	WK 101-38
Mounting bracket with control panel nut	H 851
Automatic bleeder valve	655.6.900

Dimensions



Flow rates

Flow rate measurement at p_1 10.0 bar

Type	FU 621	FU 622	FU 633	FU 634
p_2 setting	10.3			
Normal flow rate Δp 1.0 bar [l/min]	1750			