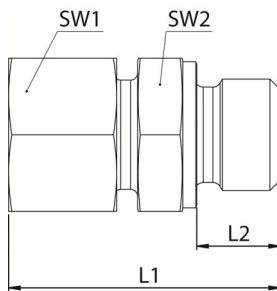


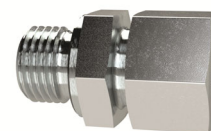
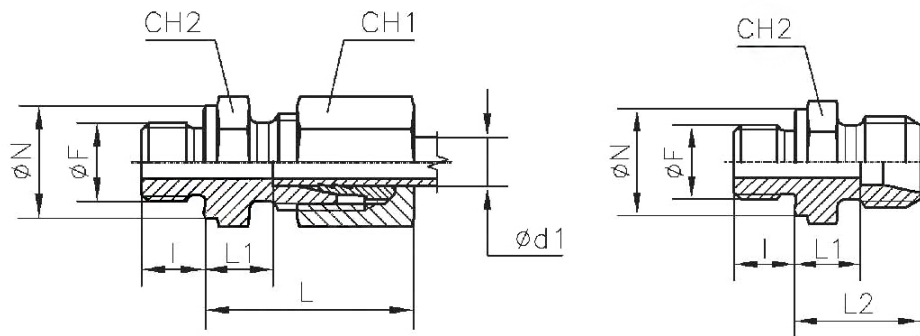
Material Galvanised steel (DIN 2353)



GEM84SLST

Male connector, metric tapered thread, very light type

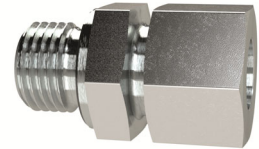
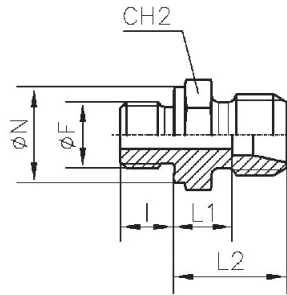
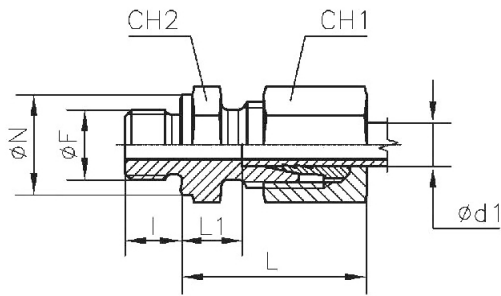
Art. No.	Type No.	Thread	Tube O.D. mm	PN bar	L1 mm	L2 mm	a/f 1 mm	a/f 2 mm
159495	GEM84SLST	M8x1.0 tapered	4	100	26.0	8.0	10	10
159496	GEM85SLST	M8x1.0 tapered	5	100	26.0	8.0	12	11
159497	GEM106SLST	M10x1.0 tapered	6	100	26.0	8.0	12	11
159498	GEM108SLST	M10x1.0 tapered	8	100	28.0	8.0	14	12



GEM106LST

Male connector, metric thread, light type

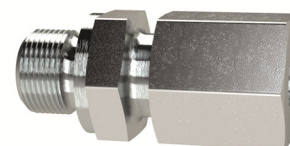
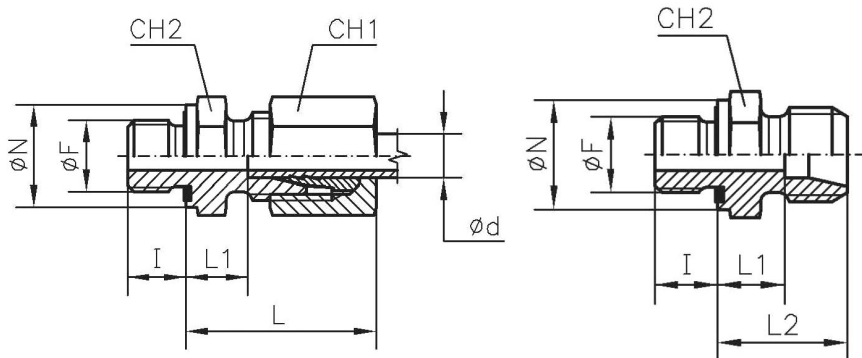
Art. No.	Type No.	Thread $\varnothing F$	Tube O.D. mm	l mm	L mm	L1 mm	L2 mm	$\varnothing N$ mm	CH1 mm	CH2 mm	PN bar
159499	GEM106LST	M10x1.0	6	8	23	8.5	15.5	14	14	14	315
159500	GEM128LST	M12x1.5	8	12	25	10.0	17.0	17	17	17	315
159501	GEM148LST	M14x1.5	8	12	25	10.0	17.0	19	17	19	315
159502	GEM168LST	M16x1.5	8	12	26	11.5	18.5	21	17	22	315
159503	GEM188LST	M18x1.5	8	12	26	11.5	18.5	23	17	24	315
159504	GEM1410LST	M14x1.5	10	12	26	11.0	18.0	19	19	19	315
159505	GEM1610LST	M16x1.5	10	12	27	12.0	19.0	21	19	22	315
159506	GEM1810LST	M18x1.5	10	12	27	12.5	19.5	23	19	24	315
159507	GEM2210LST	M22x1.5	10	14	28	13.0	21.0	27	19	27	315
159508	GEM1412LST	M14x1.5	12	12	26	11.0	18.0	19	22	19	315
159509	GEM1612LST	M16x1.5	12	12	27	12.5	19.5	21	22	22	315
159510	GEM1812LST	M18x1.5	12	12	27	12.5	19.5	23	22	24	315
159511	GEM2212LST	M22x1.5	12	14	29	14.0	21.0	27	22	27	315
159512	GEM1615LST	M16x1.5	15	12	29	13.5	20.0	21	27	24	315
159513	GEM1815LST	M18x1.5	15	12	29	13.5	20.5	23	27	24	315
159514	GEM2215LST	M22x1.5	15	14	30	15.0	22.0	27	27	27	315
159515	GEM1818LST	M18x1.5	18	12	29	14.0	21.5	23	32	27	315
159516	GEM2218LST	M22x1.5	18	14	31	14.5	22.0	27	32	27	315
159517	GEM2618LST	M26x1.5	18	16	32	16.5	22.0	31	32	32	315
159518	GEM2222LST	M22x1.5	22	14	33	16.5	24.0	27	36	32	160
159519	GEM2622LST	M26x1.5	22	16	33	16.5	24.0	31	36	32	160
159520	GEM3328LST	M33x2.0	28	18	34	17.5	25.0	39	41	41	160



GEM126SST

Male connector, metric thread, heavy type

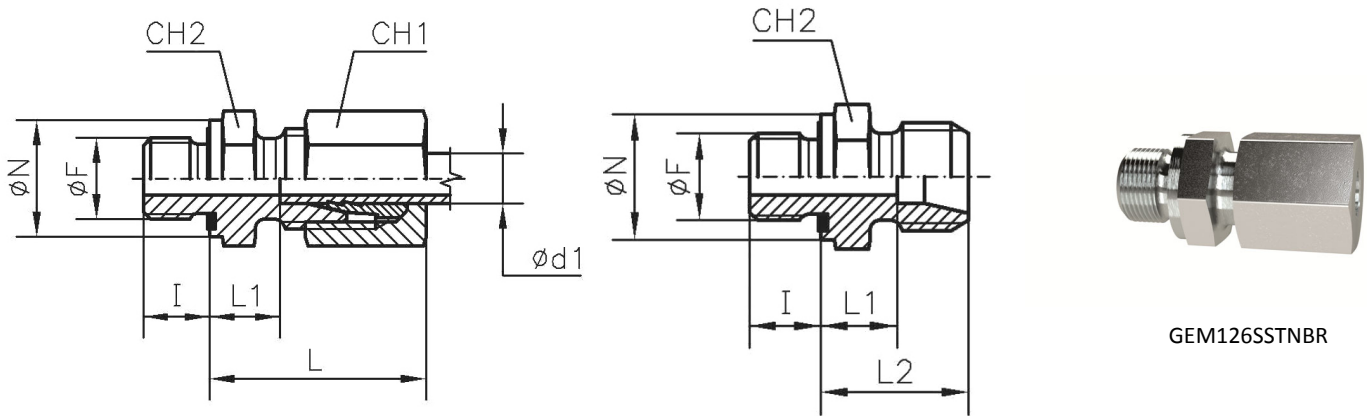
Art. No.	Type No.	Thread Ø F	Tube O.D. mm	l mm	L mm	L1 mm	L2 mm	Ø N mm	CH1 mm	CH2 mm	PN bar
159521	GEM126SST	M12x1.5	6	12	28	13.0	20.0	17	17	17	630
159522	GEM148SST	M14x1.5	8	12	30	15.0	22.0	19	19	19	630
159523	GEM1610SST	M16x1.5	10	12	31	15.0	22.5	21	22	22	630
159524	GEM1810SST	M18x1.5	10	12	31	15.5	23.0	23	22	24	630
159525	GEM1812SST	M18x1.5	12	12	33	17.0	24.5	23	24	24	630
159526	GEM2212SST	M22x1.5	12	14	34	17.5	25.0	27	24	27	630
159527	GEM2014SST	M20x1.5	14	14	37	19.0	27.0	25	27	27	630
159528	GEM1816SST	M18x1.5	16	12	36	18.0	26.5	23	30	27	400
159529	GEM2216SST	M22x1.5	16	14	37	18.5	27.0	27	30	27	400
159530	GEM2720SST	M27x2.0	20	16	42	20.5	31.0	32	36	32	400
159531	GEM2725SST	M27x2.0	25	16	47	23.0	35.0	32	46	41	400
159532	GEM3325SST	M33x2.0	25	18	47	23.0	35.0	39	46	41	400



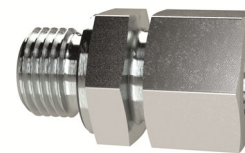
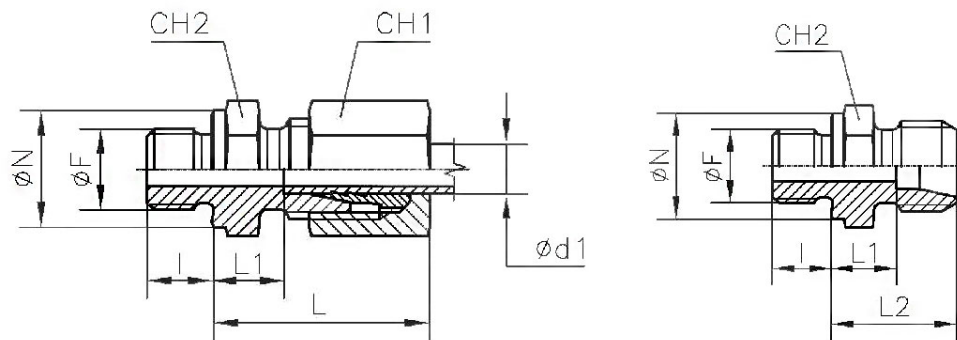
GEM106LSTNBR

Male connector, metric thread and soft seal, light type

Art. No.	Type No.	Thread Ø F	Tube O.D. mm	I mm	L mm	L1 mm	L2 mm	Ø N mm	CH1 mm	CH2 mm	PN bar
159533	GEM106LSTNBR	M10x1.0	6	8	23	8.5	15.5	14	14	14	315
159534	GEM128LSTNBR	M12x1.5	8	12	25	10.0	17.0	17	17	17	315
159535	GEM1410LSTNBR	M14x1.5	10	12	26	11.0	18.0	19	19	19	315
159536	GEM1610LSTNBR	M16x1.5	10	12	27	12.0	19.0	22	19	22	315
159537	GEM1810LSTNBR	M18x1.5	10	12	27	12.5	19.5	24	19	24	315
159538	GEM2210LSTNBR	M22x1.5	10	14	28	13.0	21.0	27	19	27	315
159539	GEM1412LSTNBR	M14x1.5	12	12	26	12.0	18.0	19	22	19	315
159540	GEM1612LSTNBR	M16x1.5	12	12	27	12.5	19.5	22	22	22	315
159541	GEM1812LSTNBR	M18x1.5	12	12	27	12.5	19.5	24	22	24	315
159542	GEM2212LSTNBR	M22x1.5	12	14	28	13.0	21.0	27	22	27	315
159543	GEM1615LSTNBR	M16x1.5	15	12	29	13.5	20.0	22	27	24	315
159544	GEM1815LSTNBR	M18x1.5	15	12	29	13.5	20.5	24	27	24	315
159545	GEM2215LSTNBR	M22x1.5	15	14	30	15.0	22.0	27	27	27	315
159546	GEM1818LSTNBR	M18x1.5	18	12	27	12.5	21.5	24	32	27	315
159547	GEM2218LSTNBR	M22x1.5	18	14	31	14.5	27.0	32	32	27	315
159548	GEM2222LSTNBR	M22x1.5	22	14	33	16.5	24.0	27	36	32	160
159549	GEM2622LSTNBR	M26x1.5	22	16	33	16.5	24.0	32	36	32	160
159550	GEM3328LSTNBR	M33x2.0	28	18	34	17.5	25.0	40	41	41	160


GEM126SSTNBR
Male connector, metric thread and soft seal, heavy type

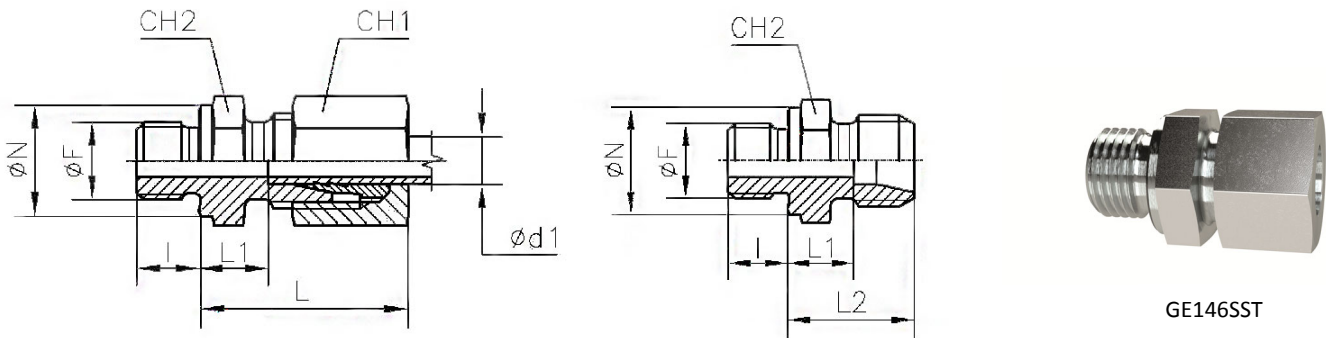
Art. No.	Type No.	Thread ø F	Tube O.D. mm	I mm	L mm	L1 mm	L2 mm	ø N mm	CH1 mm	CH2 mm	PN bar
159551	GEM126SSTNBR	M12x1.5	6	12	28	13.0	20.0	17	17	17	630
159552	GEM148SSTNBR	M14x1.5	8	12	30	15.0	22.0	19	19	19	630
159553	GEM1610SSTNBR	M16x1.5	10	12	31	15.0	22.5	22	22	22	630
159554	GEM1812SSTNBR	M18x1.5	12	12	33	17.0	24.5	24	24	24	630
159555	GEM2212SSTNBR	M22x1.5	12	14	34	17.5	25.0	27	24	27	630
159556	GEM2014SSTNBR	M20x1.5	14	14	37	19.0	27.0	26	27	27	630
159557	GEM1816SSTNBR	M18x1.5	16	12	36	18.0	26.5	24	30	27	400
159558	GEM2216SSTNBR	M22x1.5	16	14	37	18.5	27.0	27	30	27	400
159559	GEM2720SSTNBR	M27x2.0	20	16	42	20.5	31.0	32	36	32	400
159560	GEM3325SSTNBR	M33x2.0	25	18	47	23.0	35.0	40	46	41	400



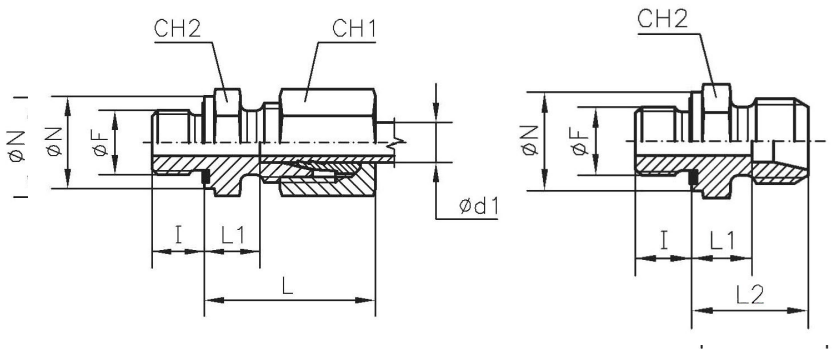
GE186LST

Male connector, parallel male thread, light type

Art. No.	Type No.	Thread Ø F	Tube O.D. mm	I mm	L mm	L1 mm	L2 mm	Ø N mm	CH1 mm	CH2 mm	PN bar
159561	GE186LST	G 1/8	6	8	23	8.5	15.5	14	14	14	315
159562	GE146LST	G 1/4	6	12	25	10.0	17.0	18	14	19	315
159563	GE386LST	G 3/8	6	12	26	11.5	18.5	22	14	22	315
159564	GE126LST	G 1/2	6	14	27	12.0	19.0	26	14	27	315
159565	GE188LST	G 1/8	8	8	24	8.5	16.0	14	17	14	315
159566	GE148LST	G 1/4	8	12	25	10.0	17.0	18	17	19	315
159567	GE388LST	G 3/8	8	12	26	11.5	18.5	22	17	22	315
159568	GE128LST	G 1/2	8	14	27	12.0	19.0	26	17	27	315
159569	GE1810LST	G 1/8	10	8	26	11.0	18.0	14	19	17	315
159570	GE1410LST	G 1/4	10	12	26	11.0	18.0	18	19	19	315
159571	GE3810LST	G 3/8	10	12	27	12.5	19.5	22	19	22	315
159572	GE1210LST	G 1/2	10	14	28	13.0	20.0	26	19	27	315
159573	GE1412LST	G 1/4	12	12	27	12.0	19.0	18	22	19	315
159574	GE3812LST	G 3/8	12	12	27	12.5	19.5	22	22	22	315
159575	GE1212LST	G 1/2	12	14	28	13.0	20.0	26	22	27	315
159576	GE3412LST	G 3/4	12	16	29	14.0	21.0	32	22	32	315
159577	GE3815LST	G 3/8	15	12	29	13.5	20.5	22	27	24	315
159578	GE1215LST	G 1/2	15	14	29	14.0	21.0	26	27	27	315
159579	GE3415LST	G 3/4	15	16	30	15.0	22.0	32	27	32	315
159580	GE3818LST	G 3/8	18	12	29	14.0	21.5	22	32	27	315
159581	GE1218LST	G 1/2	18	14	31	14.5	22.0	26	32	27	315
159582	GE3418LST	G 3/4	18	16	30	14.5	22.0	32	32	32	315
159583	GE1222LST	G 1/2	22	14	33	16.5	24.0	26	36	32	160
159584	GE3422LST	G 3/4	22	16	33	16.5	24.0	32	36	32	160
159585	GE122LST	G 1	22	18	34	17.5	25.0	39	36	41	160

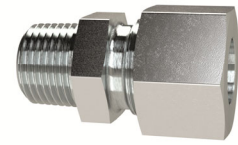
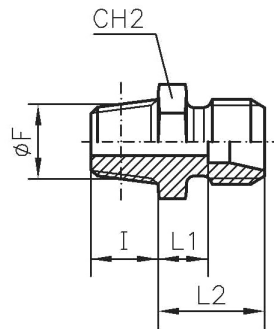
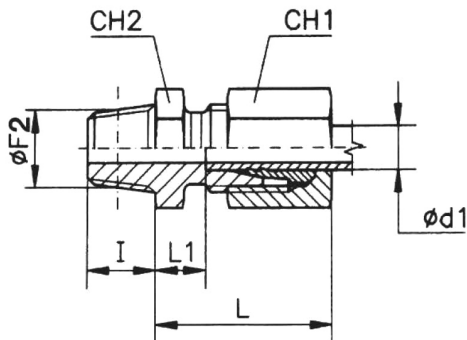

Male connector, parallel male thread, heavy type

Art. No.	Type No.	Thread Ø F	Tube O.D. mm	I mm	L mm	L1 mm	L2 mm	Ø N mm	CH1 mm	CH2 mm	PN bar
159586	GE146SST	G 1/4	6	12	28	13.0	20.0	18	17	19	630
159587	GE126SST	G 1/2	6	14	33	18.0	25.0	26	17	27	630
159588	GE148SST	G 1/4	8	12	30	15.0	22.0	18	19	19	630
159589	GE388SST	G 3/8	8	12	30	15.5	22.5	22	19	22	630
159590	GE1410SST	G 1/4	10	12	31	14.5	22.0	18	22	19	630
159591	GE3810SST	G 3/8	10	12	31	15.0	22.5	22	22	22	630
159592	GE1210SST	G 1/2	10	14	34	17.5	25.0	26	22	27	630
159593	GE1412SST	G 1/4	12	12	33	16.5	24.0	18	24	22	630
159594	GE3812SST	G 3/8	12	12	33	17.0	24.5	22	24	22	630
159595	GE1212SST	G 1/2	12	14	34	17.5	25.0	26	24	27	630
159596	GE3814SST	G 3/8	14	12	36	18.5	26.5	22	27	24	630
159597	GE1214SST	G 1/2	14	14	37	19.0	27.0	26	27	27	630
159598	GE3816SST	G 3/8	16	12	36	18.0	26.5	22	30	27	400
159599	GE1216SST	G 1/2	16	14	37	18.5	27.0	26	30	27	400
159600	GE3416SST	G 3/4	16	16	39	20.5	29.0	32	30	32	400
159601	GE1220SST	G 1/2	20	14	42	20.5	31.0	26	36	32	400
159602	GE3420SST	G 3/4	20	16	42	20.5	31.0	32	36	32	400
159603	GE3425SST	G 3/4	25	16	47	23.0	35.0	32	46	41	400
159604	GE125SST	G 1	25	18	47	23.0	35.0	39	46	41	400



Male connector, parallel male thread and soft seal, light type

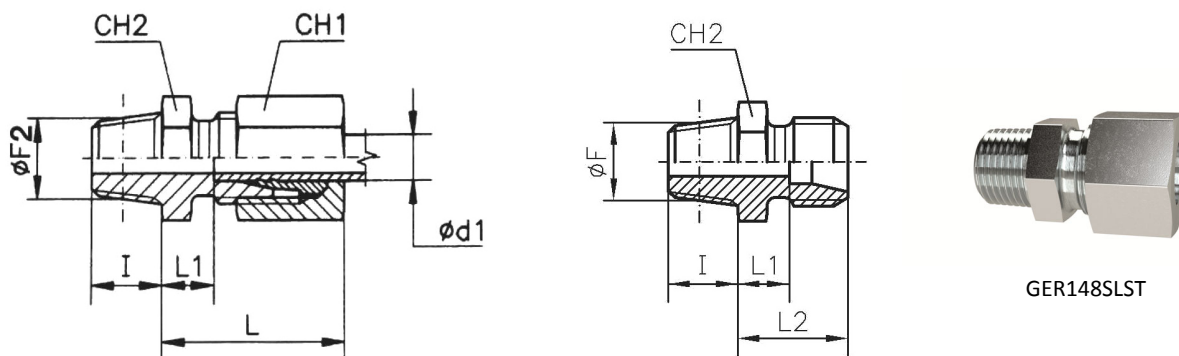
Art. No.	Type No.	Thread $\varnothing F$	Tube O.D. mm	I mm	L mm	L1 mm	L2 mm	$\varnothing N$ mm	CH1 mm	CH2 mm	PN bar
159605	GE1810LSTNBR	G 1/8	10	8	26.0	11.0	18.0	14	19	17	315
159606	GE3415LSTNBR	G 3/4	15	16	30.0	15.0	22.0	32	27	32	315
159607	GE1222LSTNBR	G 1/2	22	14	33.0	16.5	24.0	27	36	32	160
159608	GE122LSTNBR	G 1	22	18	34.0	17.5	25.0	40	36	41	160
159609	GE3428LSTNBR	G 3/4	28	16	34.0	17.5	25.0	32	41	41	160
159610	GE128LSTNBR	G 1	28	18	34.0	17.5	25.0	40	41	41	160



GE146SSTNBR

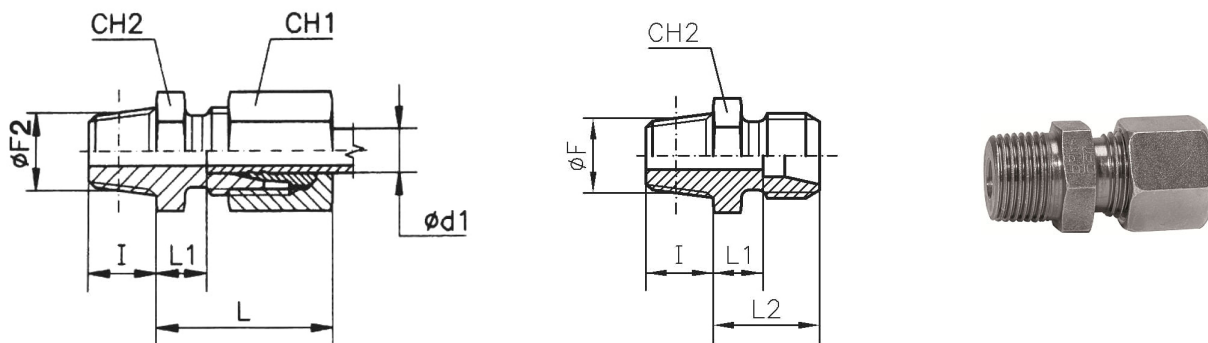
Male connector, parallel male thread and soft seal, heavy type

Art. No.	Type No.	Thread Ø F	Tube O.D. mm	I mm	L mm	L1 mm	L2 mm	Ø N mm	CH1 mm	CH2 mm	PN bar
159611	GE146SSTNBR	G 1/4	6	12	28.0	13.0	20.0	19	17	19	630
159612	GE148SSTNBR	G 1/4	8	12	30.0	15.0	22.0	19	19	19	630
159613	GE388SSTNBR	G 3/8	8	12	30.0	15.5	22.5	22	19	22	630
159614	GE1410SSTNBR	G 1/4	10	12	31.0	14.5	22.0	19	22	19	630
159615	GE3810SSTNBR	G 3/8	10	12	31.0	15.0	22.5	22	22	22	630
159616	GE1210SSTNBR	G 1/2	10	14	34.0	17.5	25.0	27	22	27	630
159617	GE1412SSTNBR	G 1/4	12	12	33.0	16.5	24.0	19	24	22	630
159618	GE3812SSTNBR	G 3/8	12	12	33.0	17.0	24.5	22	24	22	630
159619	GE1212SSTNBR	G 1/2	12	14	34.0	17.5	25.0	27	24	27	630
159620	GE3814SSTNBR	G 3/8	14	12	36.0	18.5	26.5	22	27	24	630
159621	GE1214SSTNBR	G 1/2	14	14	37.0	19.0	27.0	27	27	27	630
159622	GE3816SSTNBR	G 3/8	16	12	36.0	18.0	26.5	22	30	27	400
159623	GE1216SSTNBR	G 1/2	16	14	37.0	18.5	27.0	27	30	27	400
159624	GE3416SSTNBR	G 3/4	16	16	39.0	20.5	29.0	32	30	32	400
159625	GE1220SSTNBR	G 1/2	20	14	42.0	20.5	31.0	27	36	32	400
159626	GE3420SSTNBR	G 3/4	20	16	42.0	20.5	31.0	32	36	32	400
159627	GE3425SSTNBR	G 3/4	25	16	47.0	23.0	35.0	32	46	41	400
159628	GE125SSTNBR	G 1	25	18	47.0	23.0	35.0	40	46	41	400



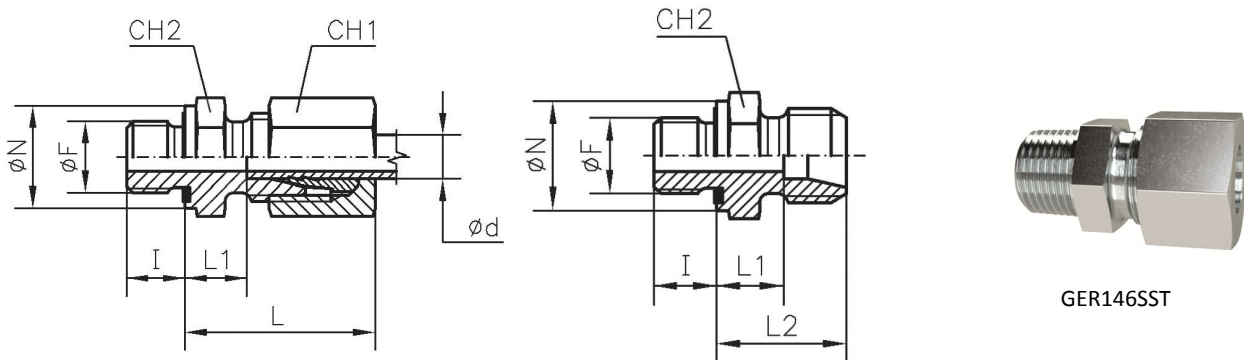
Male connector, conical male thread acc. to ISO 7-1, very light type

Art. No.	Type No.	Thread ϕF	Tube O.D. mm	I mm	L mm	L1 mm	L2 mm	CH1 mm	CH2 mm	PN bar
159629	GER148SLST	R 1/4	8	12	20.0	8.5	14.0	14	14	100
159630	GER1410SLST	R 1/4	10	12	20.0	8.5	14.0	17	14	100
159631	GER1412SLST	R 1/4	12	12	20.0	8.0	14.0	19	17	100

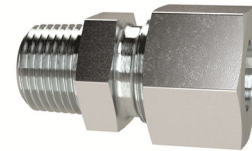
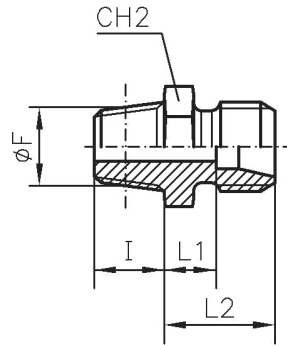
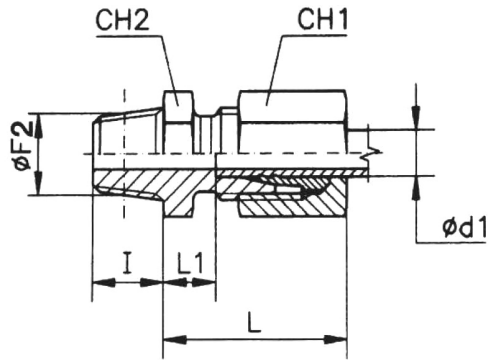


Male connector, conical male thread acc. to ISO 7-1, light type

Art. No.	Type No.	Thread ϕF	Tube O.D. mm	I mm	L mm	L1 mm	L2 mm	CH1 mm	CH2 mm	PN bar
159632	GER128LST	R 1	28	20	34.0	14.5	22.0	41	41	160


Male connector, conical male thread acc. to ISO 7-1, heavy type

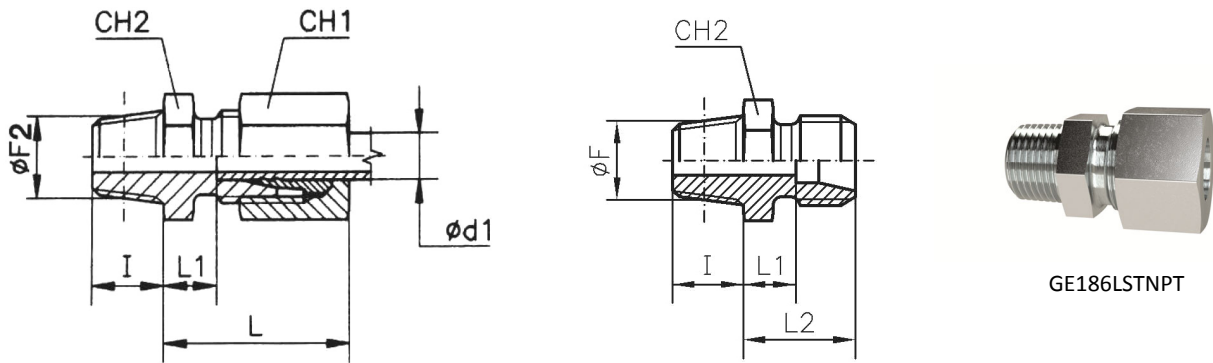
Art. No.	Type No.	Thread $\varnothing F$	Tube O.D. mm	I mm	L mm	L1 mm	L2 mm	CH1 mm	CH2 mm	PN bar
159633	GER146SST	R 1/4	6	13	28	12.0	19	17	17	630
159634	GER148SST	R 1/4	8	13	30	13.0	20	19	17	630
159635	GER1410SST	R 1/4	10	13	31	12.5	20	22	19	630
159636	GER3810SST	R 3/8	10	13	31	12.5	20	22	19	630
159637	GER1412SST	R 1/4	12	13	33	14.5	22	24	22	630
159638	GER3812SST	R 3/8	12	13	33	14.5	22	24	22	630
159639	GER1212SST	R 1/2	12	16	33	14.5	22	24	22	630
159640	GER3814SST	R 3/8	14	13	37	16.0	24	27	24	630
159641	GER1214SST	R 1/2	14	16	37	16.0	24	27	24	630
159642	GER3816SST	R 3/8	16	13	37	17.5	26	30	27	400
159643	GER1216SST	R 1/2	16	16	37	17.5	26	30	27	400
159644	GER3420SST	R 3/4	20	18	42	17.5	28	36	32	400
159645	GER125SST	R 1	25	20	47	18.0	30	46	41	400



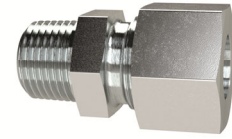
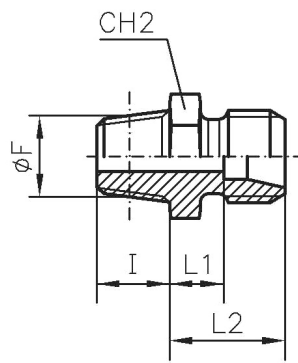
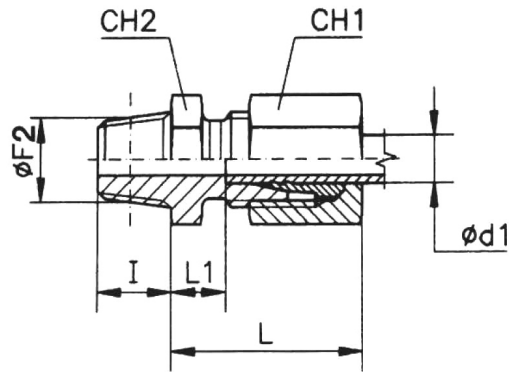
GE184SLSTNPT

Male connector, male thread NPT, very light type

Art. No.	Type No.	Thread $\phi F2$	Tube O.D. mm	I mm	L mm	L1 mm	L2 mm	CH1 mm	CH2 mm	PN bar
159646	GE184SLSTNPT	NPT 1/8	4	10	18	8.0	12	10	11	100
159647	GE186SLSTNPT	NPT 1/8	6	10	18	6.5	12	12	11	100
159648	GE188SLSTNPT	NPT 1/8	8	10	20	8.5	12	14	12	100


Male connector, male thread NPT, light type

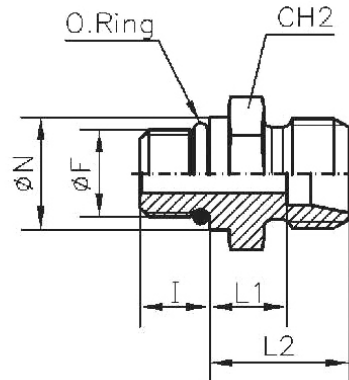
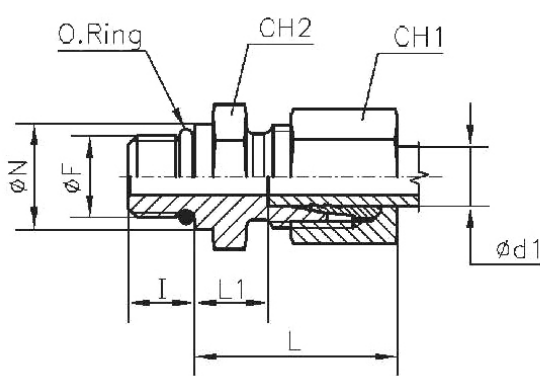
Art. No.	Type No.	Thread $\phi F2$	Tube O.D. mm	I mm	L mm	L1 mm	L2 mm	CH1 mm	CH2 mm	PN bar
159649	GE186LSTNPT	NPT 1/8	6	10	23	7.0	14	14	12	315
159650	GE146LSTNPT	NPT 1/4	6	15	24	8.0	15	14	17	315
159651	GE148LSTNPT	NPT 1/4	8	15	25	8.0	15	17	17	315
159652	GE388LSTNPT	NPT 3/8	8	15	26	9.0	16	17	19	315
159653	GE1410LSTNPT	NPT 1/4	10	15	26	9.0	16	19	17	315
159654	GE3810LSTNPT	NPT 3/8	10	15	27	10.0	17	19	19	315
159655	GE1412LSTNPT	NPT 1/4	12	15	27	10.0	17	22	19	315
159656	GE3812LSTNPT	NPT 3/8	12	15	27	10.0	17	22	19	315
159657	GE1212LSTNPT	NPT 1/2	12	20	27	10.0	17	22	22	315
159658	GE1215LSTNPT	NPT 1/2	15	20	29	11.0	18	27	24	315
159659	GE1218LSTNPT	NPT 1/2	18	20	31	11.5	19	32	27	315
159660	GE3422LSTNPT	NPT 3/4	22	20	33	13.5	21	36	32	160
159661	GE128LSTNPT	NPT 1	28	25	34	14.5	22	41	41	160



GE146SSTNPT

Male connector, male thread NPT, heavy type

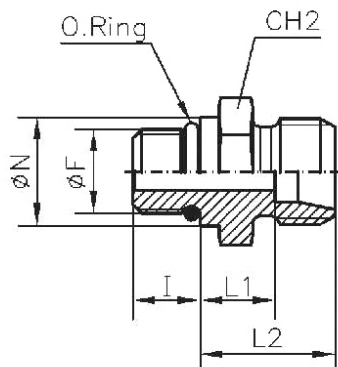
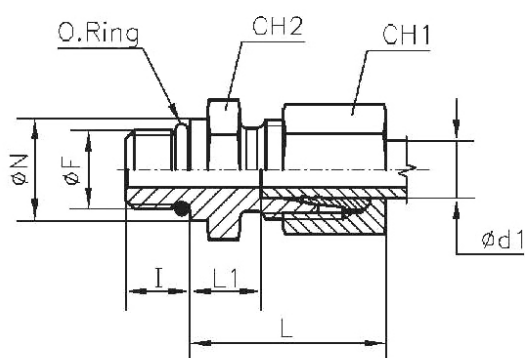
Art. No.	Type No.	Thread Ø F2	Tube O.D. mm	I mm	L mm	L1 mm	L2 mm	CH1 mm	CH2 mm	PN bar
159662	GE146SSTNPT	NPT 1/4	6	15	28	12.0	19	17	17	630
159663	GE148SSTNPT	NPT 1/4	8	15	30	13.0	20	19	17	630
159664	GE1410SSTNPT	NPT 1/4	10	15	31	12.5	20	22	19	630
159665	GE3810SSTNPT	NPT 3/8	10	15	31	12.5	20	22	19	630
159666	GE1412SSTNPT	NPT 1/4	12	15	33	14.5	22	24	22	630
159667	GE3812SSTNPT	NPT 3/8	12	15	33	14.5	22	24	22	630
159668	GE1212SSTNPT	NPT 1/2	12	20	33	14.5	22	24	22	630
159669	GE1214SSTNPT	NPT 1/2	14	20	37	16.0	24	27	24	630
159670	GE1216SSTNPT	NPT 1/2	16	20	37	17.5	26	30	27	400
159671	GE3420SSTNPT	NPT 3/4	20	20	42	17.5	28	36	32	400
159672	GE125SSTNPT	NPT 1	25	25	47	18.0	30	46	41	400



GE7168LSTUNF

Male connector, male thread UNF, light type

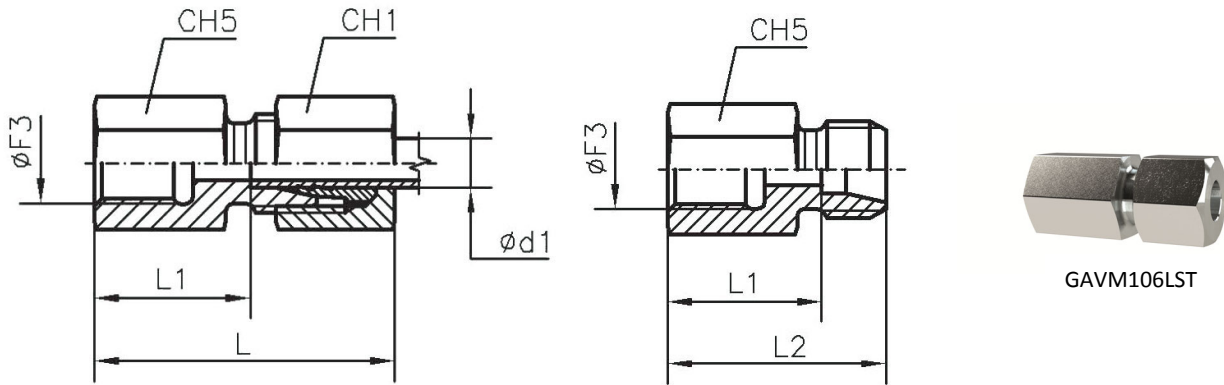
Art. No.	Type No.	Thread $\varnothing F$	Tube O.D. mm	I mm	L1 mm	L mm	CH1 mm	CH2 mm	L2 mm	O-ring	$\varnothing N$ mm	PN bar
159673	GE7168LSTUNF	UNF 7/16-20	8	9.0	10.0	25	17	17	17.0	8.92x1.83	14.4	315
159674	GE71610LSTUNF	UNF 7/16-20	10	9.0	11.0	26	19	17	19.5	8.92x1.83	14.4	315
159675	GE91612LSTUNF	UNF 9/16-18	12	10.0	11.0	26	22	19	19.5	11.90x1.98	17.6	315
159676	GE3412LSTUNF	UNF 3/4-16	12	11.0	13.0	28	22	24	19.5	16.36x2.20	22.3	315
159677	GE7812LSTUNF	UNF 7/8-14	12	12.7	14.3	29	22	27	21.0	19.18x2.46	25.5	315
159678	GE3415LSTUNF	UNF 3/4-16	15	11.0	14.0	29	27	24	22.0	16.36x2.20	22.3	315
159679	GE3418LSTUNF	UNF 3/4-16	18	11.0	14.5	31	32	27	22.0	16.36x2.20	22.3	315
159680	GE7818LSTUNF	UNF 7/8-14	18	12.7	14.8	31	32	27	22.0	19.18x2.46	25.5	315
159681	GE7822LSTUNF	UNF 7/8-14	22	12.7	16.8	33	36	32	24.0	19.18x2.46	25.5	160
159682	GE111622LSTUNF	UNF 1 1/16-12	22	15.0	16.5	33	36	32	24.0	23.47x2.95	31.9	160
159683	GE151622LSTUNF	UNF 1 5/16-12	22	15.0	17.5	34	36	41	24.0	29.74x2.95	38.2	160
159684	GE111628LSTUNF	UNF 1 1/16-12	28	15.0	17.5	34	41	41	25.0	23.47x2.95	31.9	160
159685	GE151628LSTUNF	UNF 1 5/16-12	28	15.0	17.5	34	41	41	25.0	29.74x2.95	38.2	160



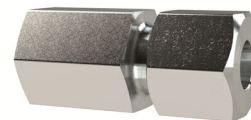
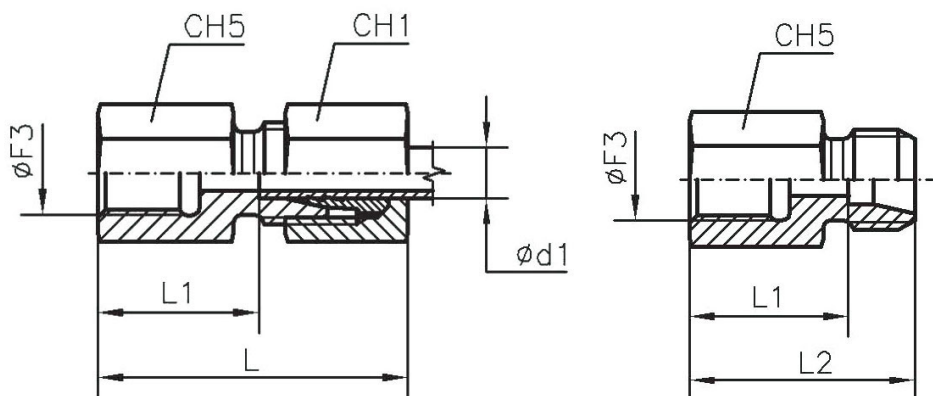
GE7168SSTUNF

Male connector, male thread UNF, heavy type

Art. No.	Type No.	Thread Ø F	Tube O.D. mm	I mm	L1 mm	L mm	CH1 mm	CH2 mm	L2 mm	O-ring	Ø N mm	PN bar
159686	GE7168SSTUNF	UNF 7/16-20	8	9.0	15.0	30.0	19	17	22	8.92x1.83	16.0	630
159687	GE91610SSTUNF	UNF 9/16-18	10	10.0	14.5	31.0	22	19	23	11.90x1.98	17.6	630
159688	GE91612SSTUNF	UNF 9/16-18	12	10.0	14.5	31.0	24	22	25	11.90x1.98	17.6	630
159689	GE3412SSTUNF	UNF 3/4-16	12	11.0	17.5	34.0	24	24	25	16.36x2.20	22.3	630
159690	GE3416SSTUNF	UNF 3/4-16	16	11.0	15.5	34.0	30	24	27	16.36x2.20	22.3	400
159691	GE7816SSTUNF	UNF 7/8-14	16	12.7	18.8	37.0	30	27	27	19.18x2.46	25.5	400
159692	GE3420SSTUNF	UNF 3/4-16	20	11.0	20.5	42.0	36	32	31	16.36x2.20	22.3	400
159693	GE7820SSTUNF	UNF 7/8-14	20	12.7	20.8	42.0	36	32	31	19.18x2.46	25.5	400
159694	GE111620SSTUNF	UNF 1 1/16-12	20	15.0	20.5	42.0	36	32	31	23.47x2.95	31.9	400
159695	GE111625SSTUNF	UNF 1 1/16-12	25	15.0	23.0	47.0	46	36	35	23.47x2.95	31.9	400
159696	GE151625SSTUNF	UNF 1 5/16-12	25	15.0	23.0	47.0	46	41	35	29.74x2.95	38.2	400


Female connector, metric thread, light type

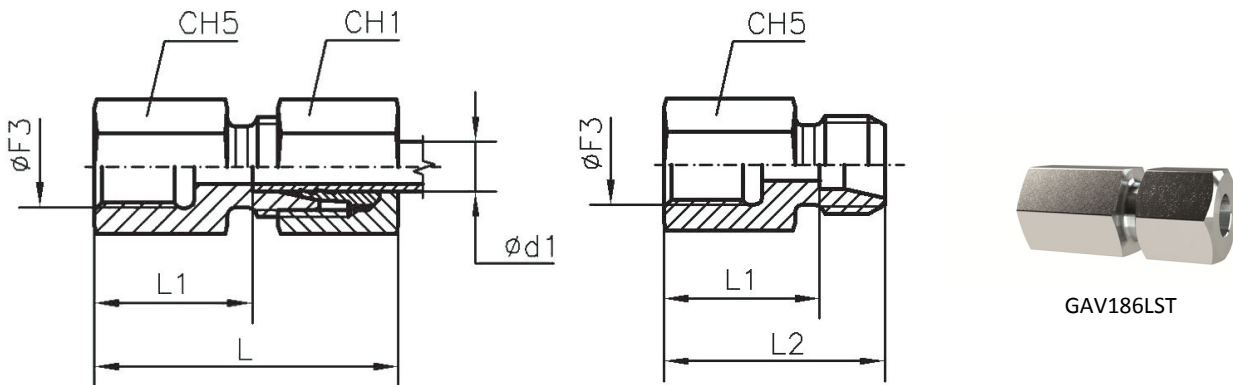
Art. No.	Type No.	Thread $\phi F3$	Tube O.D. mm	L mm	L1 mm	L2 mm	CH1 mm	CH5 mm	PN bar
159113	GAVM106LST	M10x1.0	6	34	19.0	26.5	14	14	315
159114	GAVM128LST	M12x1.5	8	39	24.0	31.0	17	17	315
159115	GAVM1410LST	M14x1.5	10	40	25.0	32.0	19	19	315
159116	GAVM1612LST	M16x1.5	12	41	26.0	33.0	22	22	315
159117	GAVM1815LST	M18x1.5	15	46	31.0	35.0	27	24	315
159118	GAVM2218LST	M22x1.5	18	47	30.5	37.0	32	30	315
159119	GAVM2622LST	M26x1.5	22	52	35.5	42.0	36	32	160
159120	GAVM3328LST	M33x2.0	28	55	38.0	45.0	41	41	160



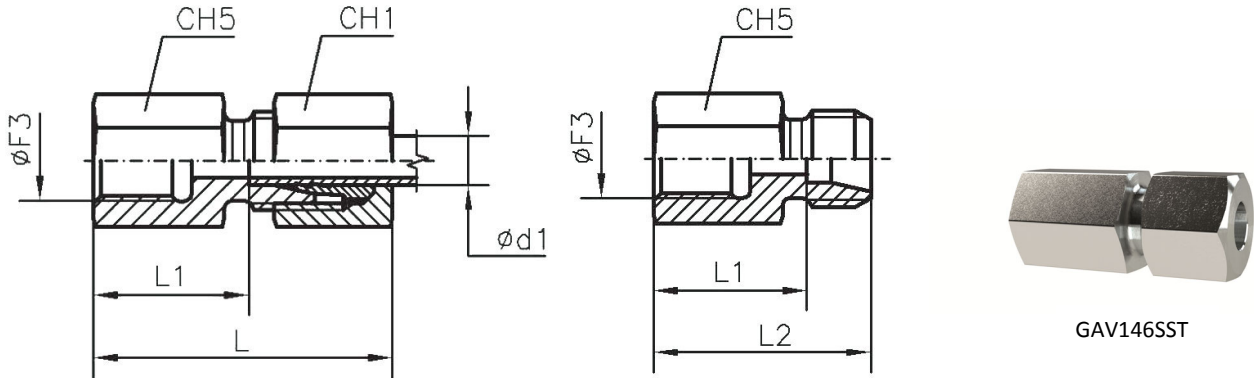
GAVM126SST

Female connector, metric thread, heavy type

Art. No.	Type No.	Thread Ø F3	Tube O.D. mm	L mm	L1 mm	L2 mm	CH1 mm	CH5 mm	PN bar
159121	GAVM126SST	M12x1.5	6	41	26.0	33	17	17	630
159122	GAVM148SST	M14x1.5	8	41	26.0	33	19	19	630
159123	GAVM1610SST	M16x1.5	10	43	26.5	34	22	22	630
159124	GAVM1812SST	M18x1.5	12	43	26.5	35	24	24	630
159125	GAVM2014SST	M20x1.5	14	50	32.0	39	27	27	630
159126	GAVM2216SST	M22x1.5	16	50	31.5	39	30	30	400
159127	GAVM2720SST	M27x2.0	20	56	34.5	45	36	36	400
159128	GAVM3325SST	M33x2.0	25	62	37.5	49	46	41	400


Female connector, parallel thread, light type

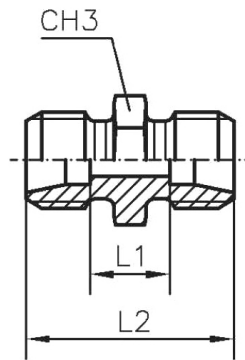
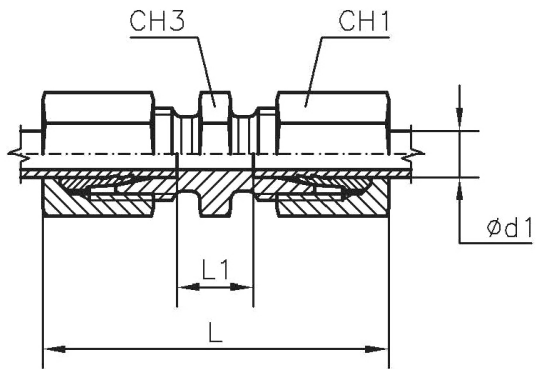
Art. No.	Type No.	Thread Ø F3	Tube O.D. mm	L mm	L1 mm	L2 mm	CH1 mm	CH5 mm	PN bar
159129	GAV186LST	G 1/8	6	34	19.0	26.0	14	14	315
159130	GAV148LST	G 1/4	8	39	24.0	31.0	17	19	315
159131	GAV388LST	G 3/8	8	40	25.0	32.5	17	24	315
159132	GAV0128LST	G 1/2	8	44	29.0	36.0	17	27	315
159133	GAV1410LST	G 1/4	10	40	25.0	32.0	19	19	315
159134	GAV3810LST	G 3/8	10	41	26.0	33.5	19	24	315
159135	GAV1210LST	G 1/2	10	45	30.0	37.0	19	27	315
159136	GAV3812LST	G 3/8	12	41	26.0	33.0	22	24	315
159137	GAV1212LST	G 1/2	12	45	30.0	37.0	22	27	315
159138	GAV1215LST	G 1/2	15	46	31.0	38.0	27	27	315
159139	GAV1218LST	G 1/2	18	47	30.5	38.0	32	27	315
159140	GAV3422LST	G 3/4	22	52	35.5	43.0	36	36	160
159141	GAV128LST	G 1	28	55	38.0	45.5	41	41	160



GAV146SST

Female connector, parallel thread, heavy type

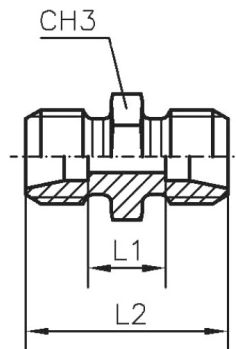
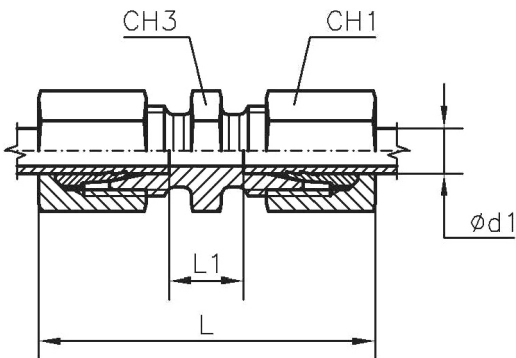
Art. No.	Type No.	Thread ø F3	Tube O.D. mm	L mm	L1 mm	L2 mm	CH1 mm	CH5 mm	PN bar
159142	GAV146SST	G 1/4	6	41	26.0	33.0	17	19	630
159143	GAV148SST	G 1/4	8	41	26.0	33.0	19	19	630
159144	GAV3810SST	G 3/8	10	43	26.5	34.0	22	24	630
159145	GAV3812SST	G 3/8	12	43	26.5	34.0	24	24	630
159146	GAV1214SST	G 1/2	14	50	32.0	40.0	27	30	630
159147	GAV1216SST	G 1/2	16	50	31.5	40.0	30	30	400
159148	GAV3420SST	G 3/4	20	56	34.5	45.0	36	36	400
159149	GAV125SST	G 1	25	62	37.5	49.5	46	41	400



GV10SLST

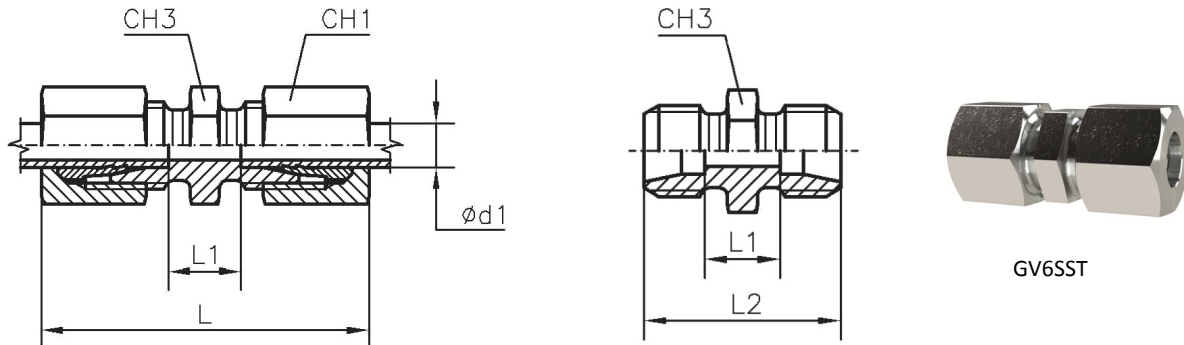
Union, very light type

Art. No.	Type No.	Tube O.D. mm	L mm	L1 mm	L2 mm	CH1 mm	CH3 mm	PN bar
159708	GV10SLST	10	35	12	23	17	14	100
159709	GV12SLST	12	35	11	23	19	17	100



Union, light type

Art. No.	Type No.	Tube O.D. mm	L mm	L1 mm	L2 mm	CH1 mm	CH3 mm	PN bar
159710	GV28LST	28	54	21	36	41	41	160



Union, heavy type

Art. No.	Type No.	Tube O.D. mm	L mm	L1 mm	L2 mm	CH1 mm	CH3 mm	PN bar
159711	GV6SST	6	45	16	30	17	14	630
159712	GV8SST	8	47	18	32	19	17	630
159713	GV10SST	10	49	17	32	22	19	630
159714	GV12SST	12	51	19	34	24	22	630
159715	GV14SST	14	57	22	38	27	24	630
159716	GV16SST	16	57	21	38	30	27	400
159717	GV20SST	20	66	23	44	36	32	400
159718	GV25SST	25	74	26	50	46	41	400