

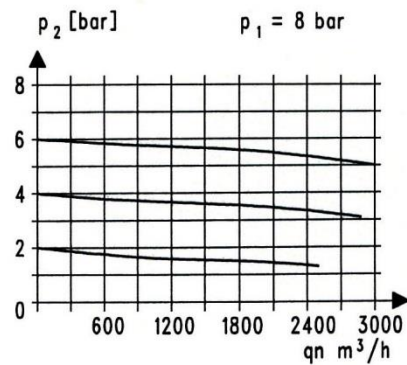
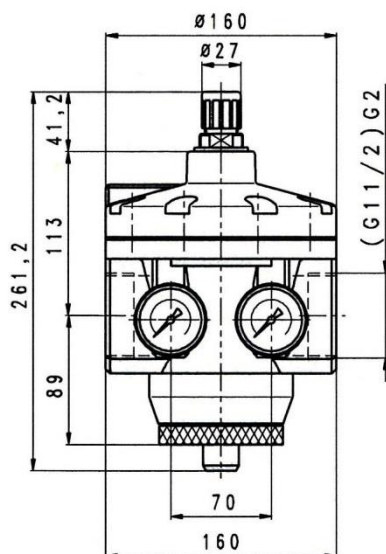


Generals

Regulators reduce the net pressure, which can have more or less variations, on the required constant pressure of the succeeding pneumatic units.

Technical Data

supply pressure:	Pe max. 25 bar
media and ambient temperature:	max. 60°C
operating temperature:	compressed air, non corrosive gases
fixing:	arbitrary



Description

The DRP.88 is a pilot-operating regulator consist a main- and integrated pilotregulator. The mainregulator uses above the diaphragm a pneumatic spring not a mechanic spring. The pressure will be tuned by the pilotregulator. If the secondary pressure (Pa) goes up, opens the secondary relieve and the air escapes in the atmosphere.

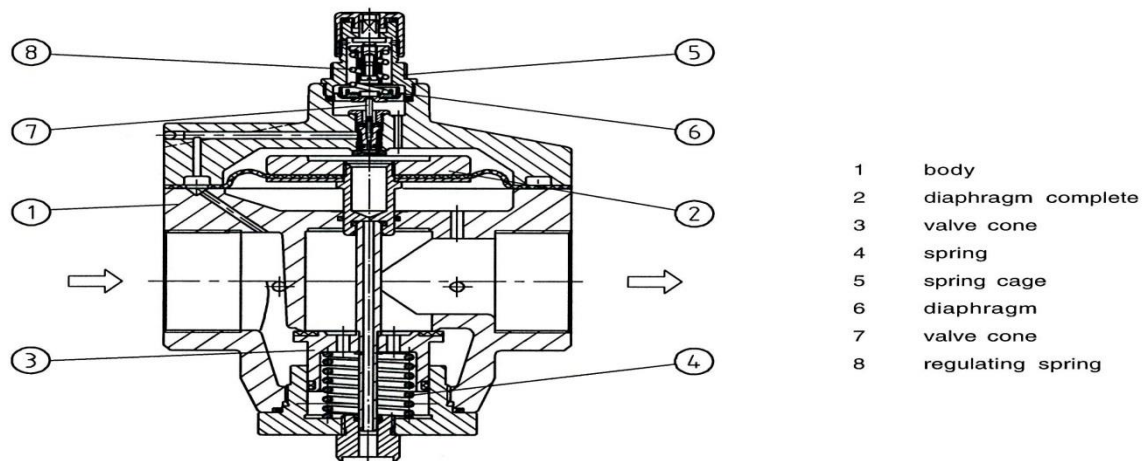
Handling

The required pressure is tuned by turning the adjusting knob of the pilotregulator. The adjusting knob must be moved axial away from the regulator, till the barrier is unlocked. After the regulating move the adjusting knob in the locking position.

Maintenance

For maintenance use the repair kit consists o-rings, diaphragms and valve cone. The regulator must be pressureless.

The drawing shows the regulator and the position of the parts.



Applies to the following articles:

High performance pressure regulator with 2 pressure gauges

Article No.

Type No.

101259 to 101266

637.101 to 637.204