



Filter regulator

Size 1

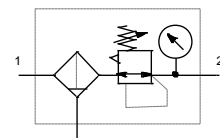
FU 811 FU 821

G 1/4

FU 812 FU 822

G 3/8

5 µm



Description

Filter regulator as a combination of a centrifugal filter and a pressure regulating valve in the "*Futura*" series. The filter and regulator unite compressed air conditioning (filtration) and preselection of a required working pressure (regulator) in a single device.

Characteristics

Type	FU 811	FU 821	FU 812	FU 822
Port (thread)	G 1/4		G 3/8	
Type of construction	- Centrifugal filter - Diaphragm pressure regulator with self-relieving design			
Medium	Compressed air, neutral gases			
Mounting position	Vertical			
Temperature Medium / ambient	Max. 50 °C			
Input pressure Pin	Max. 16 bar	Min. 1.5 bar with semi-automatic condensate drain Min. 1.5 bar with fully-automatic condensate drain		
Control range (output pressure)	0.1 to 1.0 bar / 0.1 to 2.0 bar / 0.2 to 4.0 bar / 0.5 to 8.0 bar / 0.5 to 10.0 bar / 0.5 to 16.0 bar			
Filter rating	Pore size 5 µm			
Bowl capacity	28 cm ³			
Condensate drain	Semi-automatic / fully automatic – pressureless exhaust			
Mounting type	Bracket, wall mounting			

Materials

Part	Material:
Head pc. / spring bonnet / handwh.	IXEF1022®
Diaphragm	Brass / NBR / PA 6
Bowl	Polycarbonate
Bowl guard	Polyamide
Metal bowl	Die-cast zinc
O-rings	NBR
Filter element	Cellpor
Threaded plate	Die-cast zinc

Ordering information

- The service units are delivered in single packs
- Pressure gauge incl. in scope of supply

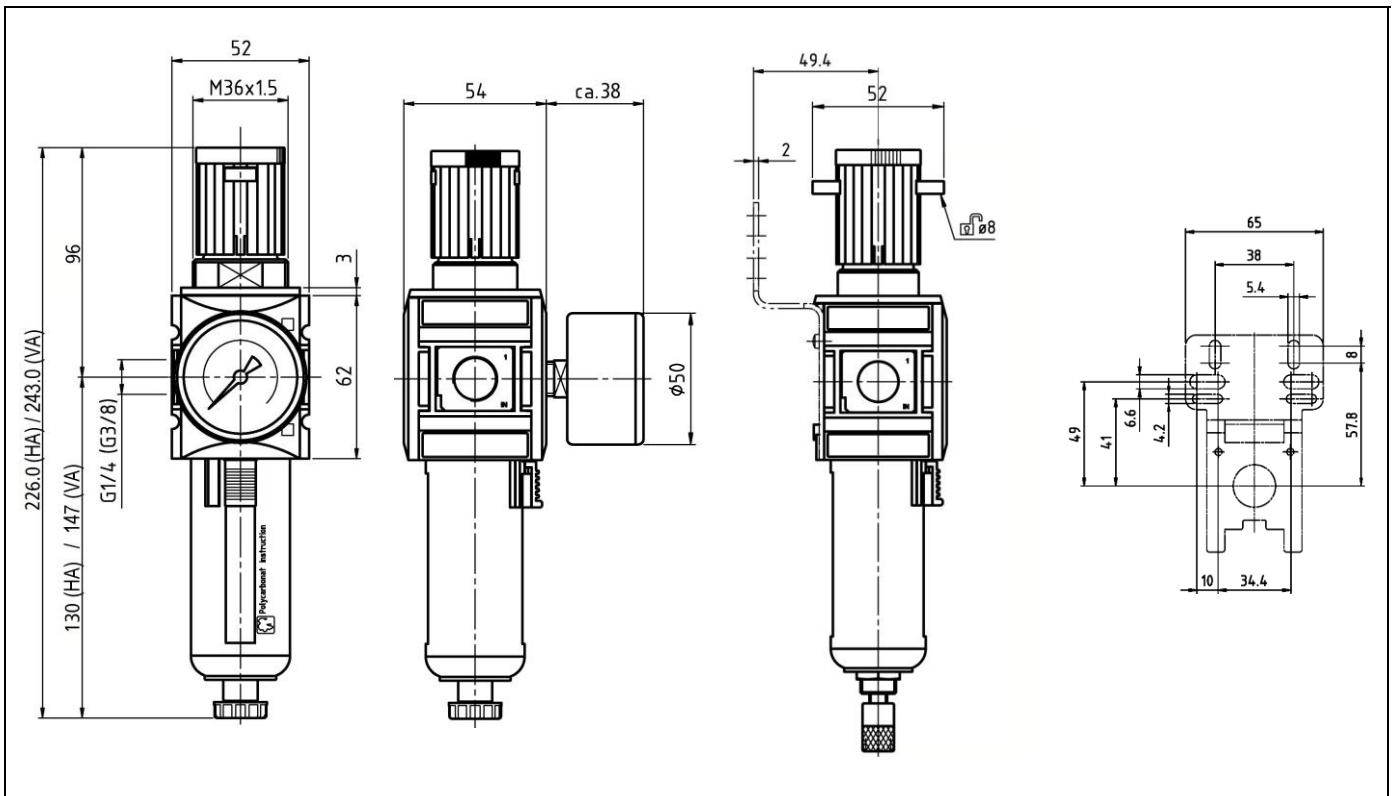
Accessories

Designation	Art. No.
Mounting bracket, incl. screws	H 850
Joiner set with wall bracket	WK 100
Joiner set	KP 100
Polycarbonate bowl with bowl guard / filter	BSF 14
Polycarb. bowl with fully autom. drain valve	BSF 14-A
Metal bowl / filter	MF 14
Metal bowl with fully automatic drain valve	MF 14-A
Panel nut	FU 11-55
Lock	SS 32

Spare parts

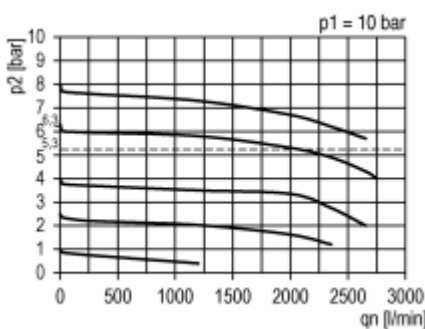
Designation	Art. No.
Set of seals for pressure regulator	22.7010.4
Filter element 5 µm	611.6.905

Dimensions

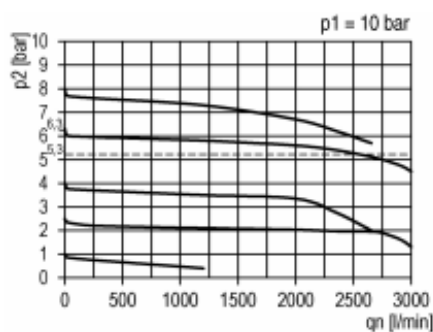


Flow rates

Flow characteristic



Port 1/4



Port 3/8

Hysteresis

