

Description

Filter pressure regulator as a combination of a centrifugal filter and a pressure regulator in the "**Futura**" series. The filter and regulator unite compressed air conditioning and preselection of a required working pressure (regulator) in a single device. Part of the **modular Futura series**. "KP300" or "WK 103" joiner set for seamless integration with other devices.

Characteristics

Type	FU 6110 FU 6120	FU 6111 FU 6121
Port (thread)	G 3/4	G 1
Type of construction	- Centrifugal filter with sintered metal element - Diaphragm pressure regulator with self-relieving design	
Medium	Compressed air, neutral gases	
Mounting position	Vertical, bowl at bottom	
Temperature Medium / ambient	Max. 50°C	
Input pressure Pin	Max. 16 bar	Min. 1.5 bar with semi-automatic drain (semi) Min. 1.5 bar with automatic drain (auto)
Control range (output pressure)	0.1 to 1.0 bar / 0.1 to 2.0 bar / 0.2 to 4.0 bar / 0.5 to 8.0 bar / 0.5 to 10.0 bar / 0.5 to 16.0 bar	
Internal air consumption	Max. 1.5 l/min (depending on secondary pressure)	
Mounting type	Bracket, wall mounting	
Weight [kg]	1.160 without gauge / 1.260 with gauge	

Materials

Part	Material
Spring bonnet / adjusting knob	POM
Head piece	PA66 GF60
Diaphragm	Brass-NBR-PA6
Valve cone	NBR-PA6
O-ring 55 x 2.5	NBR
Filter element	Cellpor (polyethylene)
Plastic bowl	Polycarbonate
Threaded plate	Die-cast zinc Z 410

Ordering information

- The filter regulators are delivered in single packs
- Pressure gauge included
- Can be locked with an "SS 32" padlock (accessory)

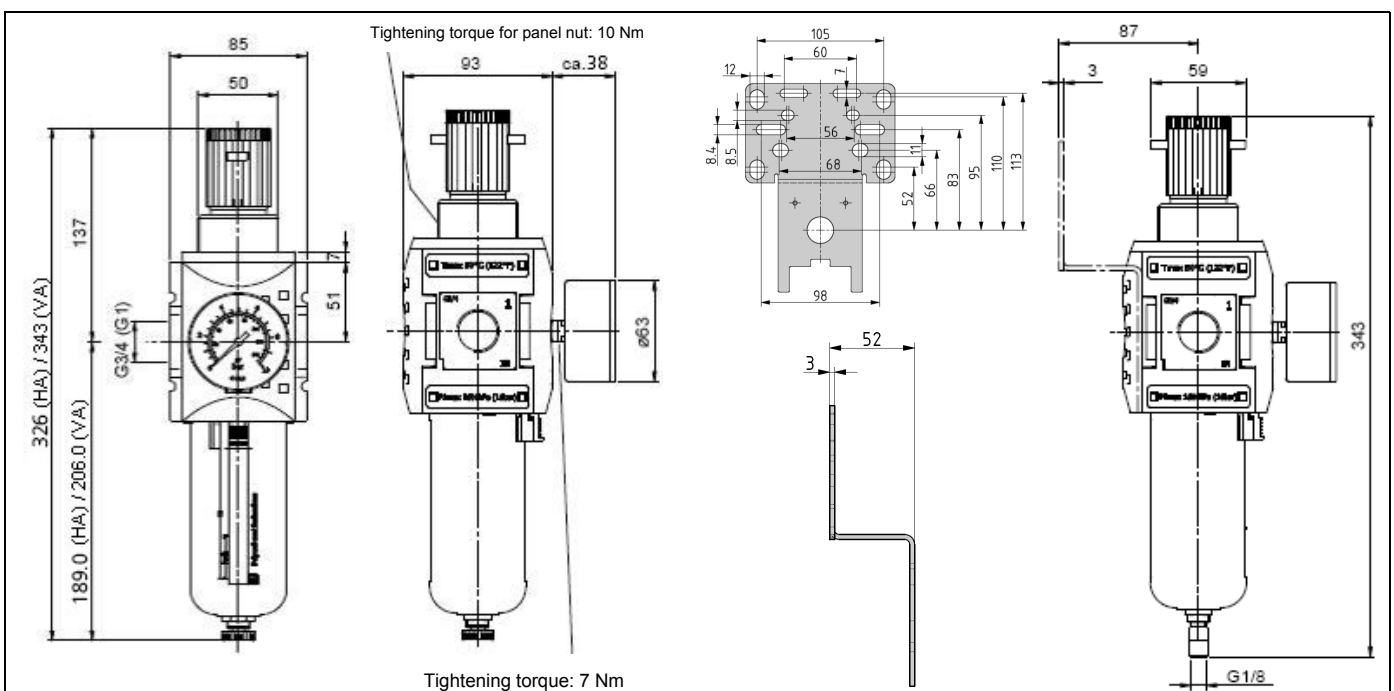
Accessories

Designation	Art. No.
Mounting bracket, incl. screws	H 854
Joiner set with wall bracket	WK 103
Joiner set	KP 300
Panel nut	R 33-55
Polycarbonate bowl / bowl guard / semi-automatic	BSF 34
Polycarbonate bowl / bowl guard / automatic	BSF 34-A
Metal bowl / sight glass / semi-automatic	MF 34
Metal bowl / sight glass / automatic	MF 34-A
Key lock	SS 32

Spare parts

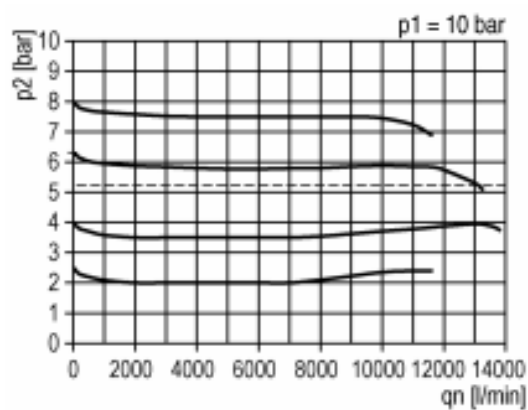
Designation	Art. No.
Seal kit	22.71110.4
Filter element	6141.6.905
Wall console with thread G 3/4	WK 104-34
Wall console with thread G 1	WK 104-1
Automatic bleeder valve	655.6.900

Dimensions



Flow rates

Flow characteristic



Hysteresis

