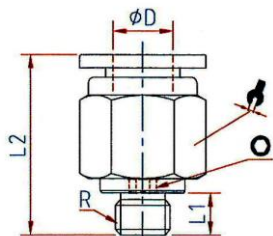


Push-in fittings series manufactured in plastic and nickel-plated brass.
Space-saving miniature design.

Max. working pressure	10 bar
Temperature range	0 °C to 60 °C
Material	Plastic and nickel-plated brass
Sleeve	Plastic
Medium	Compressed air
Applications	Air, vacuum
Recommended hose	PU or PA (nylon)



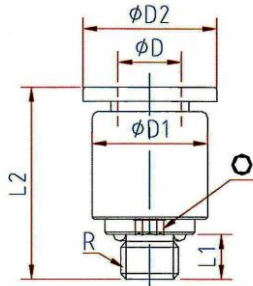
122.018-6M



123.018-4M

Male connector, male thread with outer hex, mini

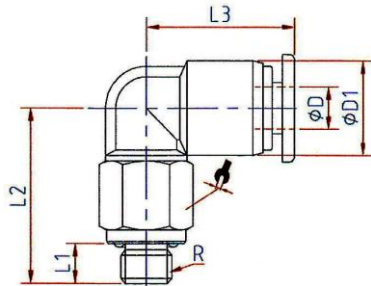
Art. No.	Type No.	Thread	For tube O.D. mm	L1 mm	L2 mm	a/f mm	Standard thread
148783	122.003-3M	M3	3	3.0	15.2	5.5	DIN 13-1, O-ring (NBR)
148784	122.003-4M	M3	4	3.0	16.4	8	DIN 13-1, O-ring (NBR)
148785	122.005-3M	M5	3	3.5	15.8	8	DIN 13-1, O-ring (NBR)
148786	122.005-4M	M5	4	3.5	16.9	8	DIN 13-1, O-ring (NBR)
148787	122.005-6M	M5	6	3.5	17.8	10	DIN 13-1, O-ring (NBR)
148788	122.006-3M	M6	3	4.5	15.9	9	DIN 13-1, O-ring (NBR)
148789	122.006-4M	M6	4	4.5	18.2	9	DIN 13-1, O-ring (NBR)
148790	122.006-6M	M6	6	4.5	18.7	10	DIN 13-1, O-ring (NBR)
148791	122.018-4M	G 1/8	4	5.5	18.2	10	DIN EN ISO 228-1, O-ring (NBR)
148792	122.018-6M	G 1/8	6	5.5	18.3	10	DIN EN ISO 228-1, O-ring (NBR)
148793	123.018-4M	R 1/8	4	8.0	18.7	10	ISO 7-1, coated
148794	123.018-6M	R 1/8	6	8.0	19.1	10	ISO 7-1, coated



207.005-4M

Male connector, round, mini

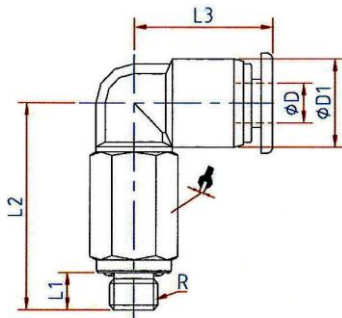
Art. No.	Type No.	Thread	For tube O.D. mm	L1 mm	L2 mm	Ø D1 mm	Ø D2 mm	Standard thread
148799	207.003-3M	M3	3	3.0	14.7	5.5	7.0	DIN 13-1, O-ring (NBR)
148800	207.003-4M	M3	4	3.0	16.3	8.0	8.5	DIN 13-1, O-ring (NBR)
148801	207.005-3M	M5	3	3.5	15.3	8.0	7.0	DIN 13-1, O-ring (NBR)
148802	207.005-4M	M5	4	3.5	16.8	8.0	8.5	DIN 13-1, O-ring (NBR)
148803	207.005-6M	M5	6	3.5	17.7	10.0	10.0	DIN 13-1, O-ring (NBR)
148804	207.006-3M	M6	3	4.5	15.8	10.0	7.0	DIN 13-1, O-ring (NBR)
148805	207.006-4M	M6	4	4.5	18.2	8.0	8.6	DIN 13-1, O-ring (NBR)
148806	207.006-6M	M6	6	4.5	18.7	10.0	10.0	DIN 13-1, O-ring (NBR)
152274	207.007-4M	M7	4	6.0	19.7	10.0	8.7	DIN 13-1, O-ring (NBR)
152276	207.007-6M	M7	6	4.5	20.2	10.0	11.8	DIN 13-1, O-ring (NBR)
148809	207.018-4M	G 1/8	4	5.5	18.0	10.0	8.6	DIN EN ISO 228-1, O-ring (NBR)
148810	207.018-6M	G 1/8	6	5.5	18.2	12.0	10.0	DIN EN ISO 228-1, O-ring (NBR)
148811	208.018-4M	R 1/8	4	8.0	19.0	10.0	8.6	ISO 7-1, coated
148812	208.018-6M	R 1/8	6	8.0	19.0	10.0	9.9	ISO 7-1, coated



125.006-4M

Male elbow, swivel type, mini

Art. No.	Type No.	Thread	For tube O.D. mm	L1 mm	L2 mm	L3 mm	Ø D1 mm	a/f mm	Standard thread
148813	125.003-3M	M3	3	3.0	12.7	11.1	7.0	5.5	DIN 13-1, O-ring (NBR)
148814	125.003-4M	M3	4	3.0	14.6	16.0	8.1	8	DIN 13-1, O-ring (NBR)
148815	125.005-3M	M5	3	3.5	15.7	11.1	6.2	8	DIN 13-1, O-ring (NBR)
148816	125.005-4M	M5	4	3.5	15.6	16.0	8.1	8	DIN 13-1, O-ring (NBR)
148817	125.005-6M	M5	6	3.5	16.3	16.7	10.7	8	DIN 13-1, O-ring (NBR)
148818	125.006-3M	M6	3	4.5	16.7	11.1	7.0	9	DIN 13-1, O-ring (NBR)
148819	125.006-4M	M6	4	4.5	16.6	16.0	8.1	9	DIN 13-1, O-ring (NBR)
148820	125.006-6M	M6	6	4.5	17.3	16.7	10.7	9	DIN 13-1, O-ring (NBR)
148823	125.018-4M	G 1/8	4	5.5	17.4	16.0	8.1	10	DIN EN ISO 228-1, O-ring (NBR)
148824	125.018-6M	G 1/8	6	5.5	18.3	16.7	10.7	10	DIN EN ISO 228-1, O-ring (NBR)
148825	126.018-4M	R 1/8	4	8.0	17.4	16.0	8.6	10	ISO 7-1, coated
148826	126.018-6M	R 1/8	6	8.0	19.0	16.7	10.0	10	ISO 7-1, coated



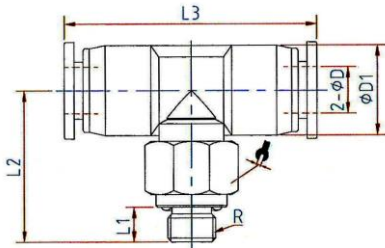
127.005-4M



128.018-4M

Male elbow, long, swivel type, mini

Art. No.	Type No.	Thread	For tube O.D. mm	L1 mm	L2 mm	L3 mm	Ø D1 mm	a/f mm	Standard thread
148827	127.003-3M	M3	3	3.0	19.9	11.4	6.2	5.5	DIN 13-1, O-ring (NBR)
148828	127.003-4M	M3	4	3.0	23.4	16.3	8.1	8	DIN 13-1, O-ring (NBR)
148829	127.005-3M	M5	3	3.5	26.4	11.4	6.2	8	DIN 13-1, O-ring (NBR)
148830	127.005-4M	M5	4	3.5	26.3	16.3	8.1	8	DIN 13-1, O-ring (NBR)
148831	127.005-6M	M5	6	3.5	27.7	17.0	10.7	8	DIN 13-1, O-ring (NBR)
148832	127.006-3M	M6	3	4.5	27.7	11.4	6.2	9	DIN 13-1, O-ring (NBR)
148833	127.006-4M	M6	4	4.5	27.7	16.1	8.1	9	DIN 13-1, O-ring (NBR)
148834	127.006-6M	M6	6	4.5	29.0	16.4	10.7	9	DIN 13-1, O-ring (NBR)
148835	127.018-4M	G 1/8	4	5.5	29.4	15.9	8.1	10	DIN EN ISO 228-1, O-ring (NBR)
148836	127.018-6M	G 1/8	6	5.5	31.0	16.4	10.7	10	DIN EN ISO 228-1, O-ring (NBR)
148837	128.018-4M	R 1/8	4	8.0	29.1	15.9	8.1	10	ISO 7-1, coated
148838	128.018-6M	R 1/8	6	8.0	30.5	16.4	10.7	10	ISO 7-1, coated



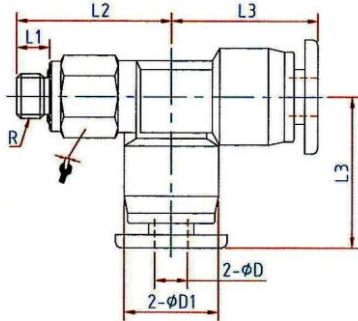
131.005-4M



132.018-4M

Male branch tee, swivel type, mini

Art. No.	Type No.	Thread	For tube O.D. mm	L1 mm	L2 mm	L3 mm	∅ D1 mm	a/f mm	Standard thread
148839	131.003-3M	M3	3	3.0	12.8	22.8	6.2	5.5	DIN 13-1, O-ring (NBR)
148840	131.003-4M	M3	4	3.0	15.3	29.1	8.1	8	DIN 13-1, O-ring (NBR)
148841	131.005-3M	M5	3	3.5	14.2	22.8	6.2	8	DIN 13-1, O-ring (NBR)
148842	131.005-4M	M5	4	3.5	15.8	29.1	8.4	8	DIN 13-1, O-ring (NBR)
148843	131.005-6M	M5	6	3.5	17.0	32.8	10.7	8	DIN 13-1, O-ring (NBR)
148844	131.006-3M	M6	3	4.5	15.1	22.8	6.2	9	DIN 13-1, O-ring (NBR)
148845	131.006-4M	M6	4	4.5	16.8	29.4	8.1	9	DIN 13-1, O-ring (NBR)
148846	131.006-6M	M6	6	4.5	18.0	32.8	10.7	9	DIN 13-1, O-ring (NBR)
148847	131.018-4M	G 1/8	4	5.5	18.6	29.4	8.1	10	DIN EN ISO 228-1, O-ring (NBR)
148848	131.018-6M	G 1/8	6	5.5	19.8	32.8	10.7	10	DIN EN ISO 228-1, O-ring (NBR)
148849	132.018-4M	R 1/8	4	7.5	19.1	29.4	8.1	10	ISO 7-1, coated
148850	132.018-6M	R 1/8	6	7.5	19.8	32.8	10.7	10	ISO 7-1, coated



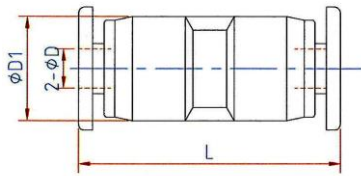
129.005-6M



130.018-4M

Male branch tee, angled plug connections, swivel type, mini

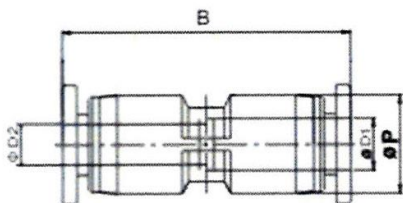
Art. No.	Type No.	Thread	For tube O.D. mm	L1 mm	L2 mm	L3 mm	∅ D1 mm	a/f mm	Standard thread
148851	129.003-3M	M3	3	3.0	13.1	11.4	6.2	5.5	DIN 13-1, O-ring (NBR)
148852	129.003-4M	M3	4	3.0	15.4	14.7	8.1	8	DIN 13-1, O-ring (NBR)
148853	129.005-3M	M5	3	3.5	14.1	11.4	6.2	8	DIN 13-1, O-ring (NBR)
148854	129.005-4M	M5	4	3.5	15.4	14.7	8.1	8	DIN 13-1, O-ring (NBR)
148855	129.005-6M	M5	6	3.5	16.9	16.4	10.7	8	DIN 13-1, O-ring (NBR)
148856	129.006-3M	M6	3	4.5	14.8	11.4	6.2	9	DIN 13-1, O-ring (NBR)
148857	129.006-4M	M6	4	4.5	17.1	14.7	8.1	9	DIN 13-1, O-ring (NBR)
148858	129.006-6M	M6	6	4.5	17.6	16.4	10.7	9	DIN 13-1, O-ring (NBR)
148859	129.018-4M	G 1/8	4	5.5	18.6	14.7	8.1	10	DIN EN ISO 228-1, O-ring (NBR)
148860	129.018-6M	G 1/8	6	5.5	20.0	16.4	10.7	10	DIN EN ISO 228-1, O-ring (NBR)
148861	130.018-4M	R 1/8	4	7.5	18.6	14.7	8.1	10	ISO 7-1, coated
148862	130.018-6M	R 1/8	6	8.0	19.8	16.4	10.9	10	ISO 7-1, coated



135.004M

Union, mini

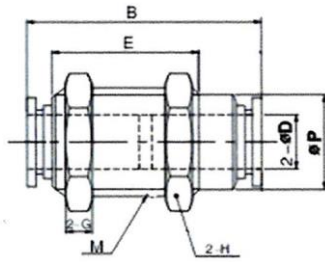
Art. No.	Type No.	For tube O.D. mm	L mm	$\phi D1$ mm
148863	135.003M	3	19.8	6.2
148864	135.004M	4	25.2	8.1
148865	135.006M	6	26.3	10.7



136.0403M

Reducer, mini

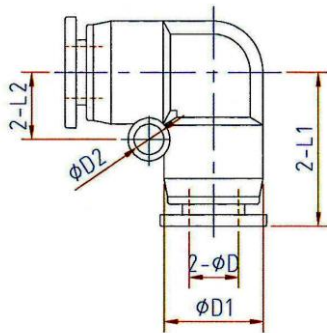
Art. No.	Type No.	For tube O.D. mm	B mm	ϕP mm
148866	136.0403M	4/3	24.9	8.1
148867	136.0604M	6/4	26.1	10.7



149.012-3M

Bulkhead connector, mini

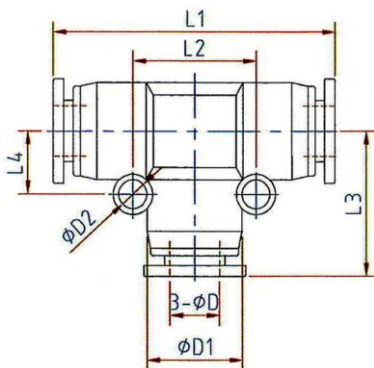
Art. No.	Type No.	Thread	For tube O.D. mm	B mm	Ø P mm	E mm	H mm	G mm
148868	149.008-3M	M8x0.75	3	22.0	5.5	13.0	10.0	2.3
148869	149.010-4M	M10x1	4	25.2	8.0	13.5	12.0	3.0
148870	149.012-3M	M12x1	6	26.9	10.0	15.2	14.0	4.0



137.004M

Union elbow, mini

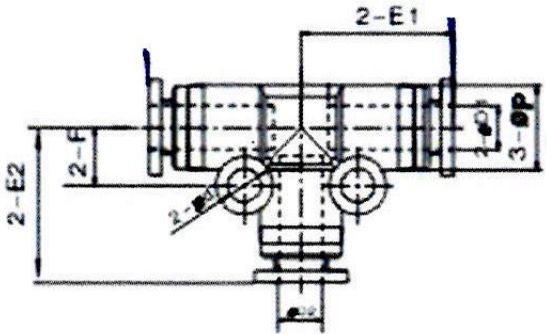
Art. No.	Type No.	For tube O.D. mm	Ø D1 mm	Ø D2 mm	2-L1 mm	L2 mm
148871	137.003M	3	6.2	3.2	11.4	4.8
148872	137.004M	4	8.1	3.2	14.6	6.1
148873	137.006M	6	10.7	3.2	16.2	7.0



138.004M

Union tee, mini

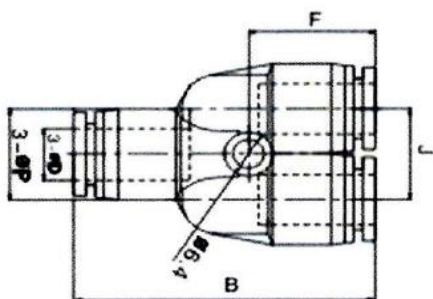
Art. No.	Type No.	For tube O.D. mm	L1 mm	L2 mm	L3 mm	L4 mm	Ø D1 mm	Ø D2 mm
148877	138.003M	3	22.8	9.8	11.4	4.7	6.2	3.2
148878	138.004M	4	29.2	12.0	15.5	6.0	8.1	3.2
148879	138.006M	6	32.8	18.0	15.9	7.0	10.7	3.3



138.0604M

Union tee, unequal, mini

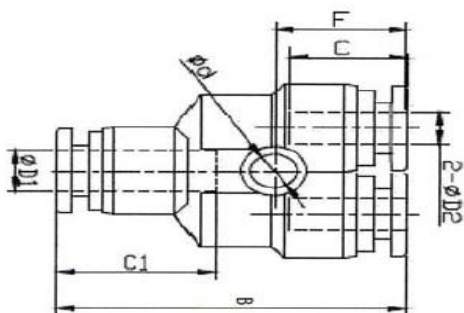
Art. No.	Type No.	For tube O.D. mm	Ø P mm	E1 mm	Ø d mm	F mm	E2 mm
148880	138.0403M	4/3	8.1	14.7	3.2	6.0	14.4
148881	138.0604M	6/4	10.7	16.4	3.2	7.0	16.2



140.003M

Y union, mini

Art. No.	Type No.	For tube O.D. mm	B mm	∅ P mm	J mm	F mm
148882	140.003M	3	28.8	8.1	8.1	12.9
148883	140.004M	4	29.2	8.2	8.4	13.3
148884	140.006M	6	31.8	10.7	10.7	13.4

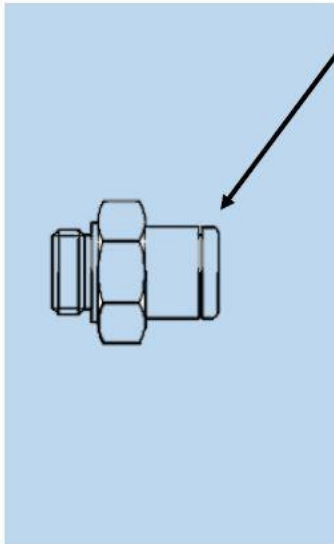


141.0403M

Y union, unequal, mini

Art. No.	Type No.	For tube O.D. mm	C1 mm	C mm	B mm	∅ d mm	F mm
148885	141.0403M	4/3	12.0	9.3	29.1	3.2	12.9
148886	141.0604M	6/4	12.4	12.0	31.6	3.2	13.2

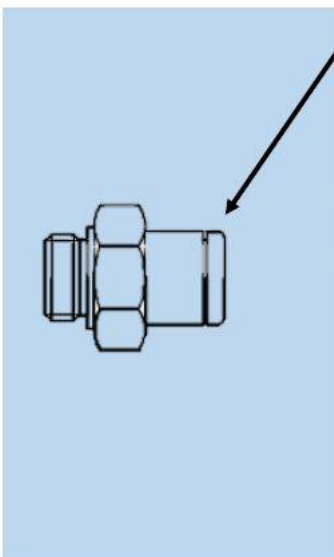
We recommend for improved strength of push-in fittings with **PA** hoses, the following push-in fitting - hose combination:



For tube O.D.	Recommended hose Ø	Recommended hose
3	3x1.5 *	259.08 X
4	4x2 *	259.09 X
5	5x3	259.10 X
6	6x4 *	259.11 X
8	8x6 *	259.12 X
10	10x7 *	259.61 X
12	12x9 *	259.14 X
14	14x11	259.62 X
16	16x12	259.25 X

* Recommended and based on ISO 14743

We recommend for improved strength of push-in fittings with **PU** hoses, the following push-in fitting - hose combination:



For tube O.D.	Recommended hose Ø	Recommended hose
3	3x1.5 *	259.50 X
4	4x2 *	259.04 X
5	5x3	259.15 X
6	6x4 *	259.16 X
8	8x5 *	259.63 X
10	10x7 *	259.64 X
12	12x8 *	259.65 X
14	14x10	259.51 X
16	16x12	259.52 X

* Recommended and based on ISO 14743