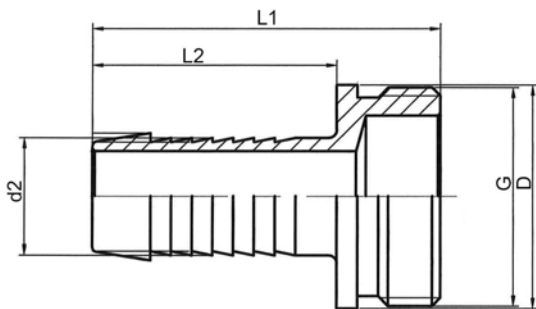


Operating pressure
Material

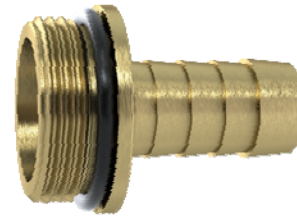
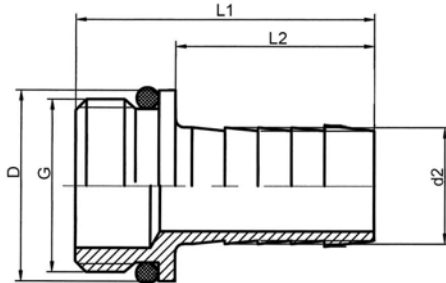
0 to 16 bar
Brass with a bare metal surface



SV3413MS13F

1/3 Tube fitting, taper seat, with collar, heavy-duty type

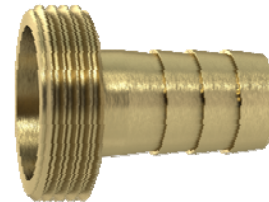
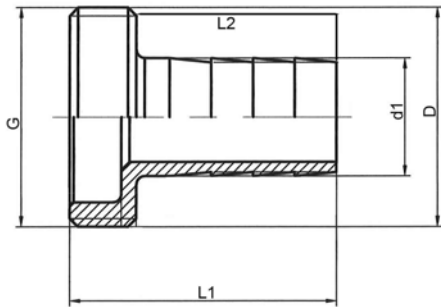
Art. No.	Type No.	Thread	For hose mm	Operating temperature min. / max. °C	L1 mm	L2 mm	D mm	d2 mm
146123	SV1210MS13F	G 1/2	10	-10 / 100	39.0	27.0	23.0	11.5
146124	SV1213MS13F	G 1/2	13	-10 / 100	42.0	29.5	23.0	14.0
146125	SV3413MS13F	G 3/4	13	-10 / 100	42.0	29.5	27.0	14.2
146126	SV3416MS13F	G 3/4	16	-10 / 100	45.0	32.5	27.5	17.0
146127	SV3419MS13F	G 3/4	19	-10 / 100	49.0	36.5	27.0	20.0
146128	SV1013MS13F	G 1	13	-10 / 100	44.0	31.0	33.0	14.0
146129	SV1019MS13F	G 1	19	-10 / 100	50.0	37.5	33.5	20.0
146130	SV1025MS13F	G 1	25	-10 / 100	52.0	39.0	33.0	26.0
146131	SV11419MS13F	G 1 1/4	19	-10 / 100	53.0	38.5	42.2	20.2
146132	SV11425MS13F	G 1 1/4	25	-10 / 100	55.0	40.0	42.0	26.0



SV3413MS130

1/3 Tube fitting, NBR O-ring, with collar

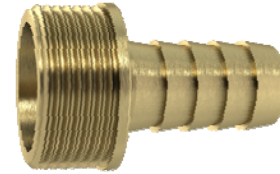
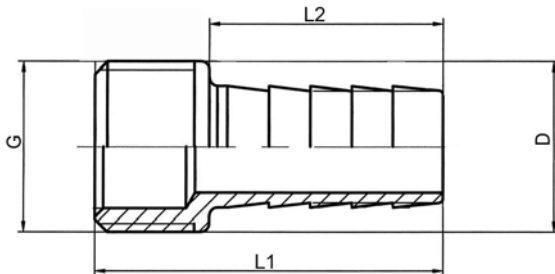
Art. No.	Type No.	Thread	For hose mm	Operating temperature min. / max. °C	L1 mm	L2 mm	D mm	d2 mm
146133	SV1213MS130	G 1/2	13	-10 / 80	36.0	24.0	23.0	14.0
146134	SV3413MS130	G 3/4	13	-10 / 80	39.0	27.0	29.5	14.0
146135	SV3419MS130	G 3/4	19	-10 / 80	41.0	29.0	28.5	19.8
146136	SV1019MS130	G 1	19	-10 / 80	43.0	30.0	34.0	20.0
146137	SV1025MS130	G 1	25	-10 / 80	46.0	33.6	34.0	25.8
146138	SV11425MS130	G 1 1/4	25	-10 / 80	49.0	36.0	43.0	25.4
146139	SV11432MS130	G 1 1/4	32	-10 / 80	53.0	40.0	43.0	33.0
146140	SV11232MS130	G 1 1/2	32	-10 / 80	54.0	39.2	50.5	33.0
146141	SV11238MS130	G 1 1/2	38	-10 / 80	60.0	44.5	50.7	39.0



SV3413MS13FL

1/3 Tube fitting, taper seat, without collar, lightweight type

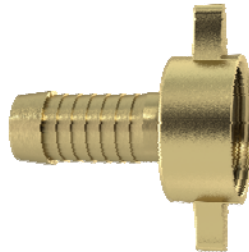
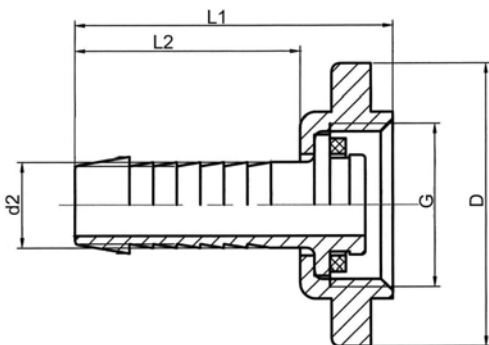
Art. No.	Type No.	Thread	For hose mm	Operating temperature		L1 mm	L2 mm	D mm	d1 mm
				min.	max. °C				
146142	SV1210MS13FL	G 1/2	10	-10	100	32.7	25.0	20.5	10.8
146143	SV1213MS13FL	G 1/2	13	-10	100	36.0	28.0	20.5	14.0
146144	SV3413MS13FL	G 3/4	13	-10	100	32.0	24.0	26.0	14.2
146145	SV3416MS13FL	G 3/4	16	-10	100	32.0	24.0	26.0	16.7
146146	SV3419MS13FL	G 3/4	19	-10	100	36.0	27.0	26.0	20.1
146147	SV1019MS13FL	G 1	19	-10	100	34.7	27.0	32.7	20.1
146148	SV1025MS13FL	G 1	25	-10	100	40.0	30.0	32.7	26.2
146149	SV11425MS13FL	G 1 1/4	25	-10	100	39.8	30.0	41.3	26.2
146150	SV11232MS13FL	G 1 1/2	32	-10	100	56.0	43.0	47.5	33.0
146151	SV11238MS13FL	G 1 1/2	38	-10	100	56.0	43.0	47.5	40.5
146152	SV2050MS13FL	G 2	50	-10	100	64.0	50.0	59.4	52.5



SV3413MS13CH

1/3 Tube fitting, taper seat, with collar, CH type

Art. No.	Type No.	Thread	For hose mm	Operating temperature min. / max. °C	L1 mm	L2 mm	D mm
146153	SV1210MS13CH	G 1/2	10	-10 / 100	42.0	28.0	20.6
146154	SV1213MS13CH	G 1/2	13	-10 / 100	42.0	28.0	20.6
146155	SV1216MS13CH	G 1/2	16	-10 / 100	42.0	28.0	20.6
146156	SV3413MS13CH	G 3/4	13	-10 / 100	42.0	28.0	26.8
146158	SV3416MS13CH	G 3/4	16	-10 / 100	42.5	28.5	26.8
146159	SV3419MS13CH	G 3/4	19	-10 / 100	43.0	29.0	26.8
146160	SV1013MS13CH	G 1	13	-10 / 100	44.0	29.0	33.2
146161	SV1016MS13CH	G 1	16	-10 / 100	44.0	29.0	33.2
146162	SV1019MS13CH	G 1	19	-10 / 100	45.0	29.5	33.2
146163	SV1022MS13CH	G 1	22	-10 / 100	45.0	30.0	33.2
146164	SV1025MS13CH	G 1	25	-10 / 100	45.0	30.0	32.7



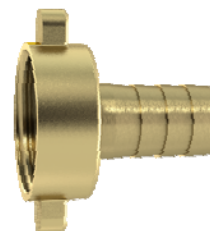
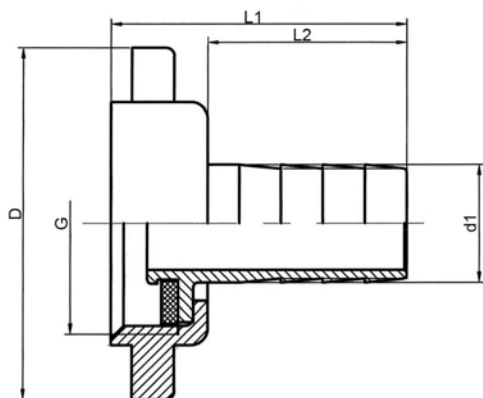
SV3413MS23F



SV1213MS23RF

2/3 Tube fitting, swivel nut, taper seat, heavy-duty type

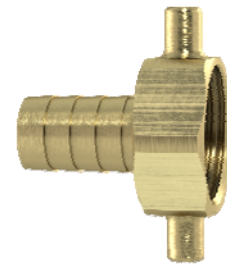
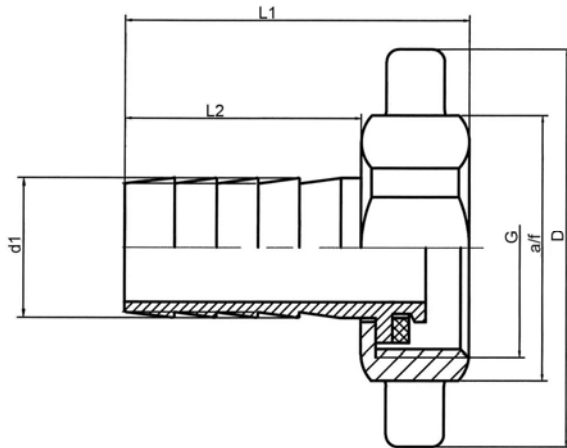
Art. No.	Type No.	Thread	For hose mm	Operating temperature min. / max. °C	L1 mm	L2 mm	D mm	d2 mm	Version
146165	SV1210MS23F	G 1/2	10	-10 / 100	40.5	28.2	36.0	11.0	Swivel nut
146166	SV1213MS23F	G 1/2	13	-10 / 100	44.5	32.5	36.0	14.0	Swivel nut
146167	SV1213MS23RF	G 1/2	13	-10 / 100	44.2	32.5	24,2	14.0	Knurled nut
146168	SV3410MS23F	G 3/4	10	-10 / 100	42.0	28.0	49.0	11.0	Swivel nut
146169	SV3413MS23F	G 3/4	13	-10 / 100	46.5	33.0	49.0	14.2	Swivel nut
146170	SV3416MS23F	G 3/4	16	-10 / 100	45.5	32.0	49.0	17.0	Swivel nut
146171	SV3419MS23F	G 3/4	19	-10 / 100	50.2	36.5	49.0	20.0	Swivel nut
146172	SV1013MS23F	G 1	13	-10 / 100	47.0	32.0	55.0	14.0	Swivel nut
146173	SV1019MS23F	G 1	19	-10 / 100	54.0	39.0	55.0	20.0	Swivel nut
146174	SV1025MS23F	G 1	25	-10 / 100	55.5	40.5	55.0	26.0	Swivel nut
146175	SV11419MS23F	G 1 1/4	19	-10 / 100	56.7	39.0	66.0	20.0	Swivel nut
146176	SV11425MS23F	G 1 1/4	25	-10 / 100	58.5	42.5	63.4	26.0	Swivel nut



SV3413MS23FL

2/3 Tube fitting, swivel nut, taper seat, lightweight type

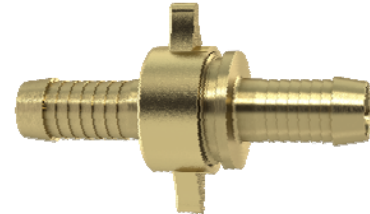
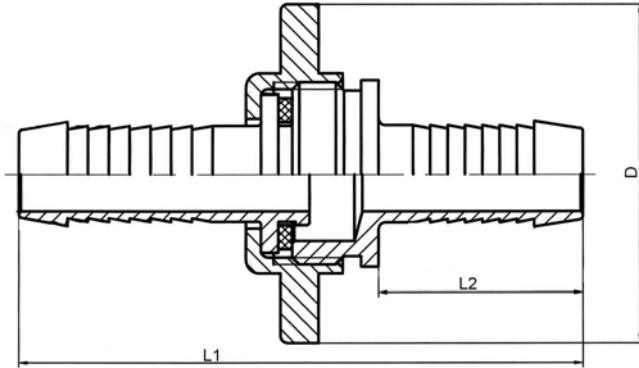
Art. No.	Type No.	Thread	For hose mm	Operating temperature min. / max. °C	L1 mm	L2 mm	D mm	d1 mm
146177	SV1210MS23FL	G 1/2	10	-10 / 100	35.5	24.5	36.0	10.6
146178	SV1213MS23FL	G 1/2	13	-10 / 100	35.4	24.5	36.0	13.9
146179	SV3410MS23FL	G 3/4	10	-10 / 100	36.0	24.5	41.8	10.8
146180	SV3413MS23FL	G 3/4	13	-10 / 100	35.2	24.0	41.8	14.2
146181	SV3416MS23FL	G 3/4	16	-10 / 100	37.0	24.8	41.8	16.4
146182	SV3419MS23FL	G 3/4	19	-10 / 100	37.5	26.0	41.8	20.0
146183	SV1013MS23FL	G 1	13	-10 / 100	41.0	28.5	50.6	14.2
146184	SV1019MS23FL	G 1	19	-10 / 100	41.5	28.3	50.6	20.5
146185	SV1025MS23FL	G 1	25	-10 / 100	40.4	27.7	50.6	25.6
146186	SV11425MS23FL	G 1 1/4	25	-10 / 100	46.0	30.0	63.4	26.0
146187	SV11432MS23FL	G 1 1/4	32	-10 / 100	60.0	44.7	63.4	33.0
146188	SV11232MS23FL	G 1 1/2	32	-10 / 100	60.8	43.5	75.7	33.5
146189	SV11238MS23FL	G 1 1/2	38	-10 / 100	60.0	42.5	75.7	40.0
146190	SV13438MS23FL	G 1 3/4	38	-10 / 100	68.0	47.8	88.0	40.0
146191	SV2050MS23FL	G 2	50	-10 / 100	78.0	56.0	98.0	52.0



SV3413MS23CH

2/3 Tube fitting, swivel nut, lightweight CH type

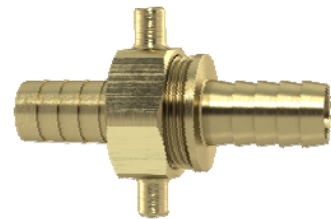
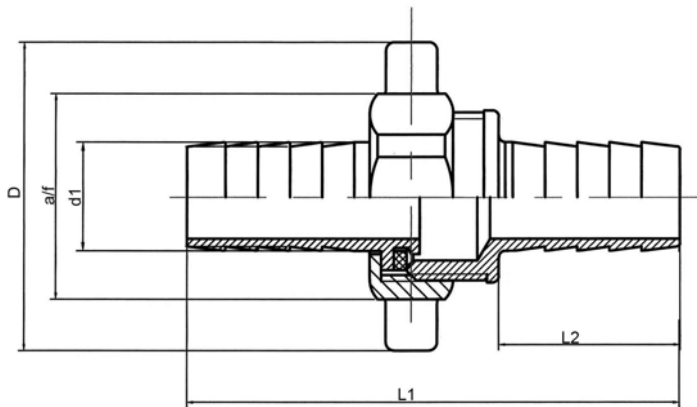
Art. No.	Type No.	Thread	For hose mm	Operating temperature min. / max. °C	L1 mm	L2 mm	a/f mm	D mm	d1 mm
146192	SV1213MS23CH	G 1/2	13	-10 / 100	38.2	25.1	24	38.7	14.8
146193	SV1216MS23CH	G 1/2	16	-10 / 100	38.4	25.4	24	38.7	16.4
146194	SV3413MS23CH	G 3/4	13	-10 / 100	37.4	24.6	29	48.0	14.8
146195	SV3416MS23CH	G 3/4	16	-10 / 100	40.0	27.0	29	48.0	16.7
146196	SV3419MS23CH	G 3/4	19	-10 / 100	41.0	28.0	29	48.0	20.0
146197	SV1016MS23CH	G 1	16	-10 / 100	42.0	27.5	36	58.0	16.8
146198	SV1019MS23CH	G 1	19	-10 / 100	42.5	27.5	36	58.0	20.6
146199	SV1025MS23CH	G 1	25	-10 / 100	43.0	29.7	36	58.0	25.9



SV3413MS33F

3/3 Tube fitting, swivel nut, taper seat with NBR O-ring

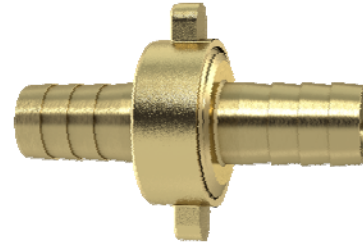
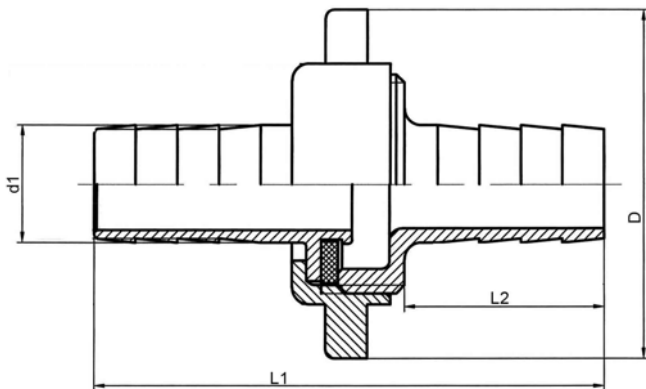
Art. No.	Type No.	Thread	For hose mm	Operating temperature min. / max. °C	L1 mm	L2 mm	D mm
146200	SV3413MS33F	G 3/4	13	-10 / 80	81.3	29.5	49.0
146201	SV1019MS33F	G 1	19	-10 / 80	95.0	37.5	55.0
146202	SV11425MS33F	G 1 1/4	25	-10 / 80	103.7	40.0	66.0



SV3413MS33CH

3/3 Tube fitting, swivel nut, taper seat, CH type

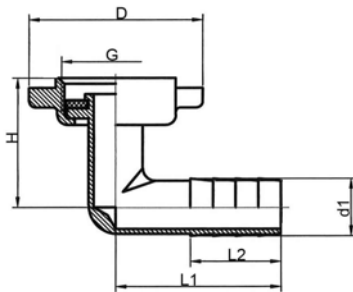
Art. No.	Type No.	Thread	For hose mm	Operating temperature min. / max. °C	L1 mm	L2 mm	a/f mm	D mm	d1 mm
146203	SV3413MS33CH	G 3/4	13	-10/100	72.0	28.2	29	48.0	14.8
146204	SV3416MS33CH	G 3/4	16	-10/100	75.5	28.5	29	48.0	16.8
146205	SV3419MS33CH	G 3/4	19	-10/100	76.5	28.7	29	48.0	20.0
146206	SV1019MS33CH	G 1	19	-10/100	79.0	29.5	36	58.0	20.6



SV3413MS33FL

3/3 Tube fitting, swivel nut, taper seat, with NBR O-ring, lightweight type

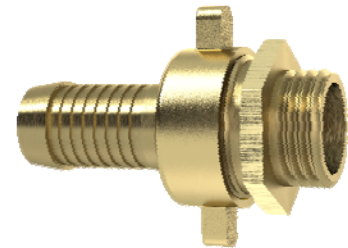
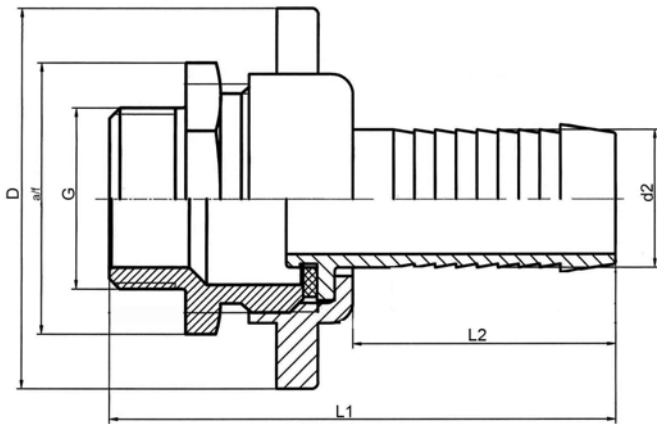
Art. No.	Type No.	Thread	For hose mm	Operating temperature min. / max. °C	L1 mm	L2 mm	D mm	d1 mm
146207	SV3413MS33FL	G 3/4	13	-10 / 80	61.0	24.0	42.0	14.2
146208	SV1019MS33FL	G 1	19	-10 / 80	66.5	27.0	50.4	20.2
146209	SV11425MS33FL	G 1 1/4	25	-10 / 80	75.4	30.0	63.4	26.0



SVW3413MS23F

2/3 Elbow tube fitting, swivel nut, taper seat

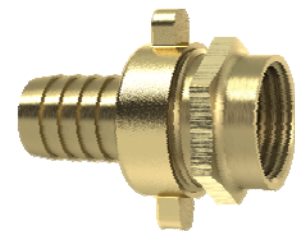
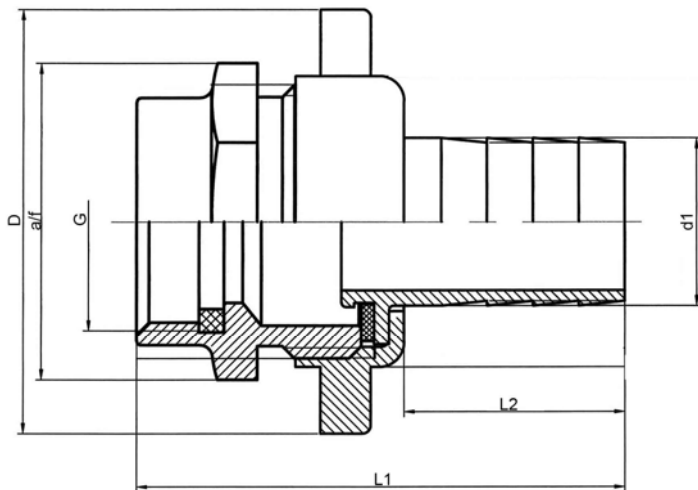
Art. No.	Type No.	Thread	For hose mm	Operating temperature min. / max. °C	L1 mm	L2 mm	D mm	H mm	d1 mm
146210	SVW1210MS23F	G 1/2	10	-10 / 100	41.1	27.5	36.0	31.6	10.8
146211	SVW1213MS23F	G 1/2	13	-10 / 100	38.3	27.5	36.0	30.5	13.9
146212	SVW3410MS23F	G 3/4	10	-10 / 100	40.8	27.5	42.0	30.0	11.0
146213	SVW3413MS23F	G 3/4	13	-10 / 100	48.0	27.5	42.0	31.0	14.2
146214	SVW1019MS23F	G 1	19	-10 / 100	47.6	27.5	50.5	35.0	19.9



SRV3419MS33F

3/3 Stand pipe fitting, male thread, nut, taper seat

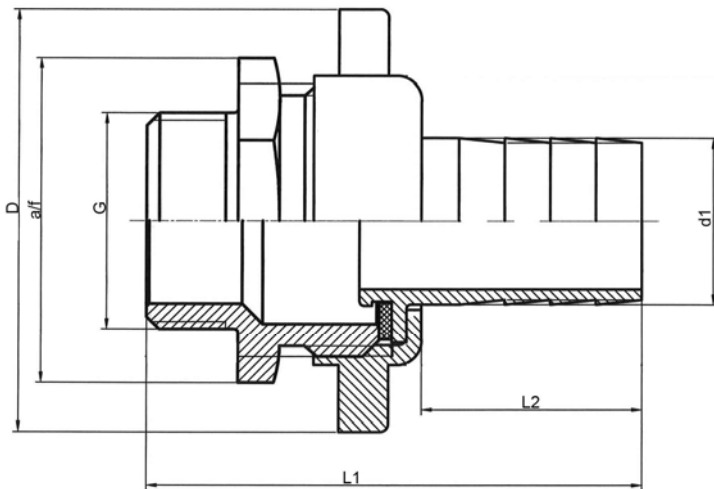
Art. No.	Type No.	Thread	For hose mm	Operating temperature min. / max. °C	L1 mm	L2 mm	a/f mm	D mm	d2 mm
146215	SRV1213MS33F	G 1/2	13	-10/100	65.5	33.0	27	49.0	14.0
146216	SRV3419MS33F	G 3/4	19	-10/100	73.5	38.6	34	55.0	20.0
146217	SRV1025MS33F	G 1	25	-10/100	82.7	42.0	41	66.0	26.0



SRV3419MS33CH

3/3 Stand pipe fitting, female thread, nut, taper seat, CH type

Art. No.	Type No.	Thread	For hose mm	Operating temperature min. / max. °C	L1 mm	L2 mm	a/f mm	D mm	d1 mm
146218	SRV1213MS33CH	G 1/2	13	-10/100	54.0	23.8	26	42.0	14.2
146219	SRV3419MS33CH	G 3/4	19	-10/100	60.9	28.7	33	50.5	20.5
146220	SRV1025MS33CH	G 1	25	-10/100	62.2	30.0	42	63.3	26.0



SRV3419MS33FL

3/3 Stand pipe fitting, male thread, nut, taper seat, lightweight type

Art. No.	Type No.	Thread	For hose mm	Operating temperature min. / max. °C	L1 mm	L2 mm	a/f mm	D mm	d1 mm
146221	SRV1213MS33FL	G 1/2	13	-10/100	55.1	24.0	27	41.3	14.2
146222	SRV3419MS33FL	G 3/4	19	-10/100	59.5	26.5	34	50.5	20.2
146223	SRV1025MS33FL	G 1	25	-10/100	69.5	30.0	41	63.4	26.0
146224	SRV11432MS33FL	G 1 1/4	32	-10/100	91.0	44.0	50	75.5	33.5
146225	SRV11238MS33FL	G 1 1/2	38	-10/100	102.2	47.7	55	88.0	40.5