

»FUTURA-mini« series

Seat valves operated by secondary pressure for controlled pressurisation of pneumatic systems. These valves prevent a sudden build-up of pressure accompanied by dangerous, jerky cylinder movements. The full cross-section of the regulator is opened at 50% of the input pressure. The filling time can be altered by turning the adjusting screw.

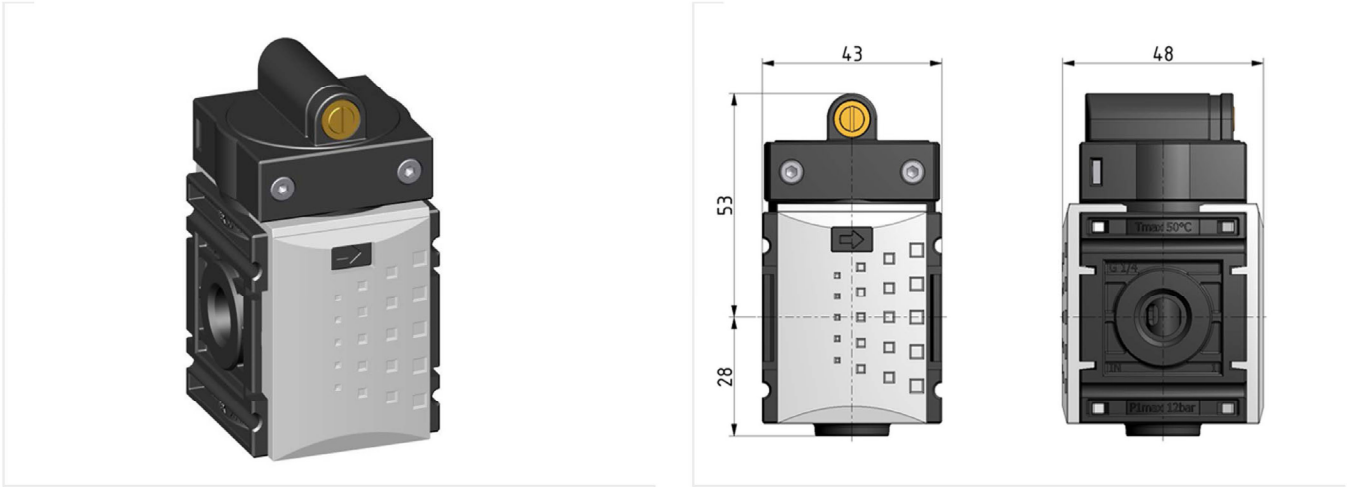
Input pressure	2.5 - 12 bar
Temperature range	-10 °C to 50 °C
Medium	Compressed air, neutral gases
Housing	PA66 GF60
Connecting thread	Plastic
Flow rate	2000 l/min
Flow rate measurement	At P ₂ = 6 bar and pressure drop Δ _p = 1 bar

Filling valve (start-up valve)

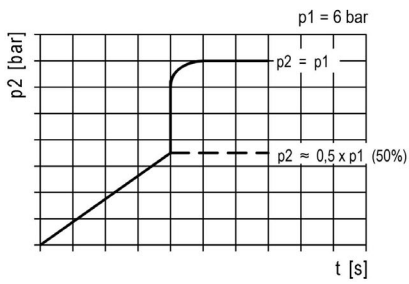
Art. No.	Type No.	Thread	Size
142525	FUM 931	G 1/4	0

Accessories / spare parts

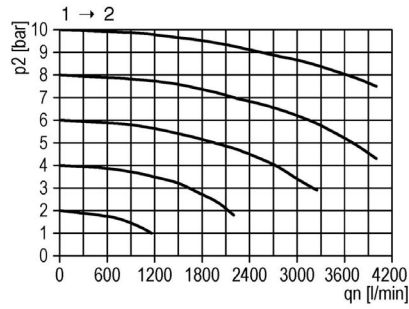
Art. No.	Type No.	Description
143105	H 848	Mounting bracket, incl. 2 screws
143010	WKM 100	Coupling package for wall mounting incl. 2 screws and O-ring
143022	KPM 100	Coupling package incl. 2 screws and O-ring
152077	WK 100-14	Wall bracket with connection thread G 1/4



filling characteristic



flow characteristic



symbol

