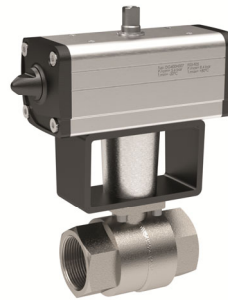
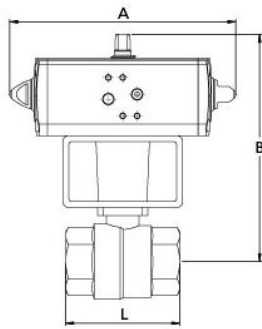


With pneumatic actuator - basic version.

Ball valves with pneumatic actuator. Pneumatic, double-piston, part-turn actuator, double-rocker principle.

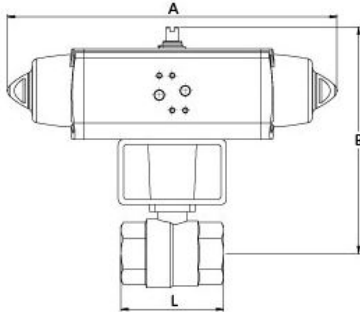
Material actuator	Anodised aluminium
Sealant actuator	NBR
Angle of rotation	90 °
Operating temperature actuator	-20 °C to 80 °C
Max. pilot pressure actuator	8.4 bar
Recommended pilot pressure	5.6 bar
Valve adapter	Integrated to NAMUR
Material ball valve	Stainless steel 1.4401/1.4301/1.4310/1.4408, with ISO flange
Sealant ball valve	PTFE / FKM
Operating temperature ball valve	-20 °C to 150 °C



351.513-1

Stainless steel ball valve, double-acting actuator, valve adapter integrated to NAMUR

Art. No.	Type No.	Thread	DN	PN bar	L mm	A mm	B mm
158753	351.509-2	Rp 3/8	10	100	55.0	159.0	144.2
158754	351.510-2	Rp 1/2	15	100	65.0	159.0	147.0
158755	351.511-1	Rp 3/4	20	100	70.0	174.2	160.5
158756	351.512-1	Rp 1	25	100	85.0	174.2	160.5
158757	351.513-1	Rp 1 1/4	32	64	95.0	188.5	188.5
158758	351.514-1	Rp 1 1/2	40	64	105.0	198.0	200.7
158759	351.515-1	Rp 2	50	40	125.0	237.0	221.2



351.523-1

Stainless steel ball valve, single-acting actuator, spring to close, valve adapter integrated to NAMUR

Art. No.	Type No.	Thread	DN	PN bar	L mm	A mm	B mm
158760	351.519-2	Rp 3/8	10	100	55.0	233.2	151.2
158761	351.520-2	Rp 1/2	15	100	65.0	233.2	154.0
158762	351.521-1	Rp 3/4	20	100	70.0	258.8	181.7
158763	351.522-1	Rp 1	25	100	85.0	258.8	185.7
158764	351.523-1	Rp 1 1/4	32	64	95.0	304.2	207.3
158765	351.524-1	Rp 1 1/2	40	64	105.0	338.5	217.3
158766	351.525-1	Rp 2	50	40	125.0	393.7	255.4