

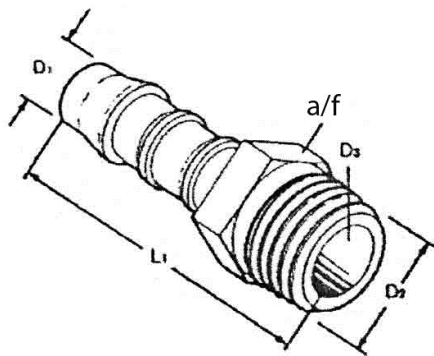
Polyamide (PA 6) or acetal copolymer (POM)

Lightweight tube connectors distinguished by high strength, toughness, resistance to abrasion and impact resistance.

Resistant to the following chemicals:

Acetone, benzine, benzene, butane, alcohols, diesel fuels, crude oil, natural gas, ethanol, fruit juices, glycerine, fuel oil, hydraulic fluids, aliphatic ketones, carbon dioxide, carbonic acid, engine oils, methanol, propane, liquefied gas, lubricating oils, lubricating greases, town gas, washing liquor and water.

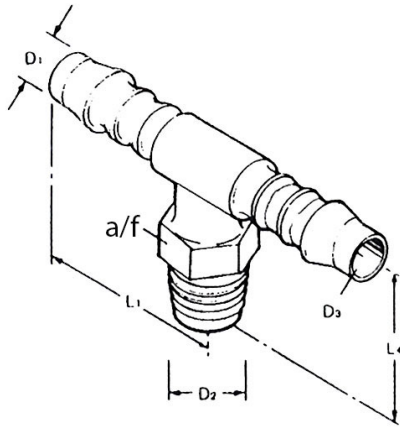
Temperature range -40 °C to +90 °C
 Max. allowable pressure max. 10 bar



31.132

Male stud coupling, polyamide, conical male thread acc. to ISO 7-1

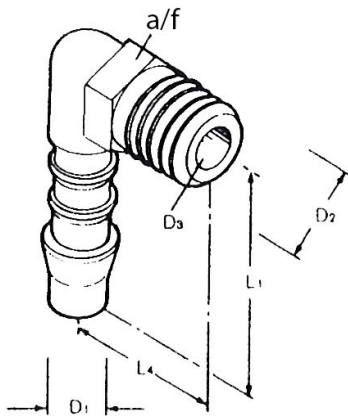
Art. No.	Type No.	Thread D ₂	For hose D ₁	D ₃ mm	L ₁ mm	a/f mm
110945	31.120	M5	I.D. 3	2.5	19.5	6
110946	31.121	R 1/8	I.D. 4	2.5	27.0	10
110947	31.122	R 1/8	I.D. 6	4.0	32.5	10
110948	31.123	R 1/8	I.D. 8	5.6	38.0	14
110949	31.131	R 1/4	I.D. 4	2.5	32.0	14
110950	31.131/5	R 1/4	I.D. 5	3.0	36.0	14
110951	31.132	R 1/4	I.D. 6	4.0	37.5	14
110952	31.133	R 1/4	I.D. 8	5.6	41.0	14
110953	31.134	R 1/4	I.D. 10	7.0	43.5	14
110954	31.141	R 3/8	I.D. 6	4.0	39.0	17
110955	31.142	R 3/8	I.D. 8	5.6	41.0	17
110956	31.143	R 3/8	I.D. 10	7.0	43.5	17
110957	31.144	R 3/8	I.D. 12	8.6	45.5	17
110958	31.151	R 1/2	I.D. 8	5.6	49.0	22
110959	31.152	R 1/2	I.D. 12	8.6	54.0	22
110960	31.153	R 1/2	I.D. 16	12.0	58.0	22
110961	31.161	R 3/4	I.D. 16	16.0	58.0	27
110962	31.162	R 3/4	I.D. 19	15.0	58.0	27
110963	31.171	R 1	I.D. 25	21.0	69.0	32



32.242

Male stud tee, polyamide, conical male thread acc. to ISO 7-1

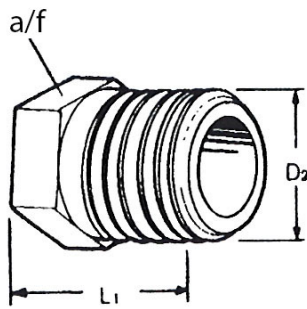
Art. No.	Type No.	Thread D ₂	For hose D ₁	L ₁ mm	L ₄ mm	a/f mm
110964	32.231	R 1/8	I.D. 4	21.0	18.0	10
110965	32.232	R 1/8	I.D. 6	28.5	21.0	10
110966	32.241	R 1/4	I.D. 4	21.0	23.0	14
110967	32.242	R 1/4	I.D. 6	28.5	26.0	14
110968	32.243	R 1/4	I.D. 8	33.0	27.5	14
110969	32.251	R 3/8	I.D. 10	35.5	30.0	17



32.342

Male stud elbow, polyamide, conical male thread acc. to ISO 7-1

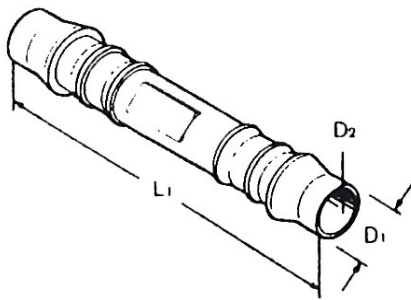
Art. No.	Type No.	Thread D ₂	For hose D ₁	L ₁ mm	L ₄ mm	a/f mm
110970	32.331	R 1/8	I.D. 4	21.0	16.0	10
110971	32.332	R 1/8	I.D. 6	28.5	21.0	10
110973	32.341	R 1/4	I.D. 4	21.0	25.0	14
110974	32.342	R 1/4	I.D. 6	28.5	26.0	14
110975	32.343	R 1/4	I.D. 8	33.0	27.5	14
110976	32.344	R 1/4	I.D. 10	38.0	30.0	14
110977	32.351	R 3/8	I.D. 6	28.5	27.0	17
110978	32.352	R 3/8	I.D. 8	36.0	31.0	17
110979	32.353	R 3/8	I.D. 10	38.0	30.0	17
110980	32.354	R 3/8	I.D. 12	40.5	31.0	17
110981	32.361	R 1/2	I.D. 8	36.0	36.0	22
110982	32.362	R 1/2	I.D. 12	40.5	36.0	22
110983	32.371	R 3/4	I.D. 19	45.5	42.8	27



33.901

Blanking plug, polyamide, conical male thread acc. to ISO 7-1

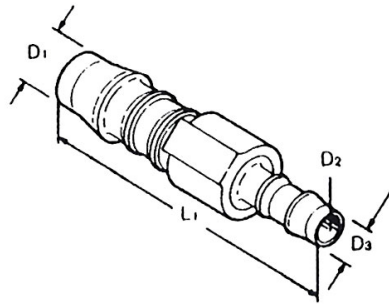
Art. No.	Type No.	Thread D ₂	L ₁ mm	a/f mm
110984	33.900	R 1/8	12.0	10
110985	33.901	R 1/4	17.0	14
110986	33.902	R 3/8	27.0	17
110987	33.903	R 1/2	27.5	22



34.413

Hose connector, POM

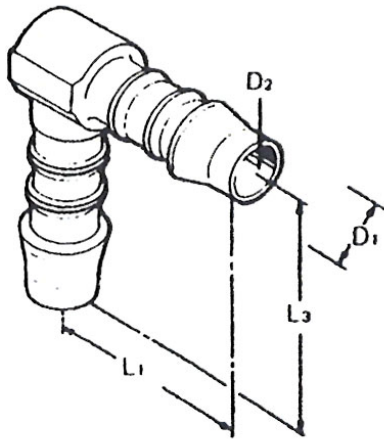
Art. No.	Type No.	For hose D ₁	For hose D ₂	L ₁
110988	34.410	I.D. 3	I.D. 2.5	25.0
110989	34.411	I.D. 4	I.D. 2.7	35.0
110990	34.411/5	I.D. 5	I.D. 3.0	45.0
110991	34.412	I.D. 6	I.D. 4.0	49.0
110992	34.413	I.D. 8	I.D. 5.6	56.0
110993	34.414	I.D. 10	I.D. 7.0	63.0
110994	34.415	I.D. 12	I.D. 8.6	66.5
110995	34.416	I.D. 13	I.D. 8.6	73.0
110996	34.417	I.D. 16	I.D. 12.0	75.0
110997	34.418	I.D. 19	I.D. 15.0	76.0
110998	34.419	I.D. 25	-	95.0



34.424

Hose connector, unequal, POM

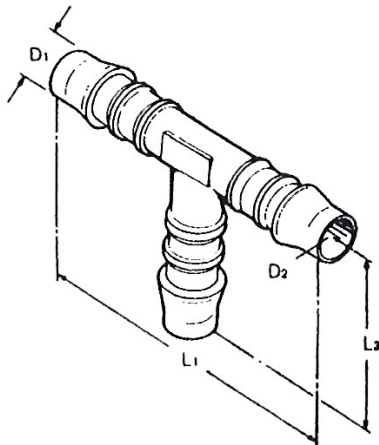
Art. No.	Type No.	For hose D ₁	For hose D ₃	D ₂ mm	L ₁ mm
110999	34.420	I.D. 4	I.D. 3	2.5	30.0
111000	34.421	I.D. 6	I.D. 4	2.7	42.5
111001	34.422	I.D. 8	I.D. 4	2.7	48.0
111002	34.423	I.D. 8	I.D. 6	4.0	54.0
111003	34.424	I.D. 10	I.D. 6	4.0	58.0
111004	34.425	I.D. 10	I.D. 8	5.6	60.5
111005	34.426	I.D. 12	I.D. 8	5.6	62.5
111006	34.427	I.D. 12	I.D. 10	7.0	64.0



34.813

Hose union elbow, POM

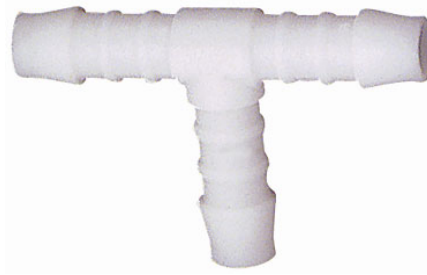
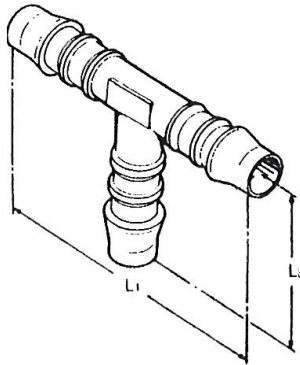
Art. No.	Type No.	For hose D ₁	For hose D ₂	L ₁ mm	L ₃ mm
111007	34.809	I.D. 3	I.D. 2.5	12.5	12.5
111008	34.811	I.D. 4	I.D. 2.5	17.5	19.5
111009	34.811/5	I.D. 5	I.D. 3.0	21.0	22.0
111010	34.812	I.D. 6	I.D. 4.0	25.0	26.0
111011	34.813	I.D. 8	I.D. 5.6	29.0	30.0
111012	34.814	I.D. 10	I.D. 7.0	31.0	33.5
111013	34.815	I.D. 12	I.D. 8.6	34.5	36.0
111014	34.816	I.D. 13	I.D. 8.6	36.5	38.5
111015	34.817	I.D. 16	I.D. 12.0	40.5	45.0
111016	34.818	I.D. 19	I.D. 15.0	43.5	46.0
111017	34.819	I.D. 25	I.D. 21.0	52.5	52.5



35.513

Tee hose connector, POM

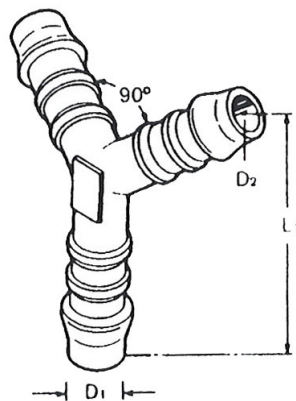
Art. No.	Type No.	For hose D ₁	For hose D ₂	L ₁ mm	L ₃ mm
111018	35.510	I.D. 3	I.D. 2.5	25.0	12.5
111019	35.511	I.D. 4	I.D. 2.7	35.0	19.5
111020	35.511/5	I.D. 5	I.D. 3.0	42.0	22.0
111021	35.512	I.D. 6	I.D. 4.0	50.0	26.0
111022	35.513	I.D. 8	I.D. 5.6	58.0	30.0
111023	35.514	I.D. 10	I.D. 7.0	62.5	33.5
111024	35.515	I.D. 12	I.D. 8.6	69.0	36.0
111025	35.516	I.D. 13	I.D. 8.6	69.0	36.0
111026	35.517	I.D. 16	I.D. 12.0	81.0	45.0
111027	35.518	I.D. 19	I.D. 15.0	85.0	45.0
111028	35.519	I.D. 25	I.D. 21.0	105.0	52.5



35.524

Reducing T push-on connector, POM

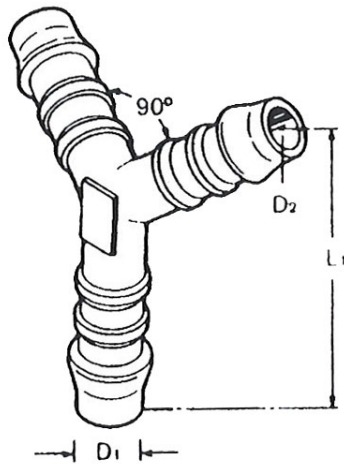
Art. No.	Type No.	For hose	L ₁ mm	L ₂ mm
111029	35.520	I.D. 3/4/3	25.0	17.5
111030	35.521	I.D. 4/6/4	37.0	24.0
111031	35.522	I.D. 6/4/6	49.0	20.5
111032	35.523	I.D. 8/4/8	56.0	22.0
111033	35.524	I.D. 8/6/8	56.0	28.0
111034	35.525	I.D. 10/6/10	62.0	28.0
111035	35.526	I.D. 10/8/10	62.0	31.0
111036	35.527	I.D. 12/6/12	69.0	29.0
111037	35.528	I.D. 12/8/12	69.0	31.0
111038	35.529	I.D. 12/10/12	69.0	33.0
111039	35.530	I.D. 18/10/18	79.0	36.0
111040	35.531	I.D. 18/15/18	80.0	44.0



36.613

Y-hose connector, 90° angle, POM

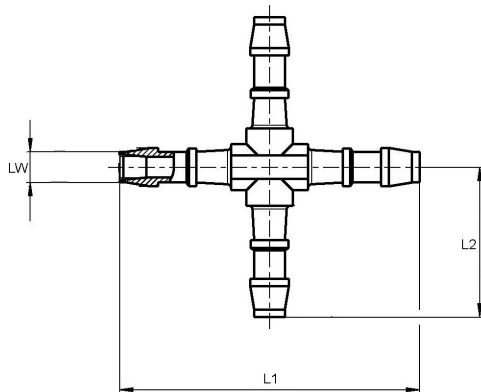
Art. No.	Type No.	For hose D_1	Socket D_2	L_1 mm
111041	36.610	I.D. 3	I.D. 2.5	21.0
111042	36.611	I.D. 4	I.D. 2.5	25.5
111043	36.611/5	I.D. 5	I.D. 3.0	43.0
111044	36.612	I.D. 6	I.D. 4.0	44.0
111045	36.613	I.D. 8	I.D. 5.6	51.0
111046	36.614	I.D. 10	I.D. 7.0	54.0
111047	36.615	I.D. 12	I.D. 8.6	64.0
111048	36.616	I.D. 13	I.D. 9.0	65.0
111049	36.617	I.D. 16	I.D. 12.0	67.0
111050	36.618	I.D. 19	I.D. 15.0	72.0



36.713

Reducing Y push-on connector, POM

Art. No.	Type No.	For hose D ₁	For hose D ₂	L ₁ mm
111051	36.711	I.D. 4	I.D. 2.5	35.0
111052	36.713	I.D. 6	I.D. 4.5	49.0



37.112

Cross push-on connector, POM

Art. No.	Type No.	For hose	L ₁ mm	L ₂ mm
111053	37.111	I.D. 4	39.0	20.0
111054	37.112	I.D. 6	48.0	24.5
111055	37.115	I.D. 12	69.0	35.5