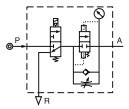




### »G-mini« Series

GA 05.1–GA 06.2

Symbol



#### Product features

- Seat valves operated by secondary pressure for controlled pressurisation of pneumatic systems.
- The 3/2-way valve opens when the solenoid is activated. The full cross-section of the valve is open when the working pressure is 50 % of the input pressure. When the solenoid is deactivated, the 3/2-way valve closes and the pressure in the line is exhausted via the regulator.
- With adjustable restrictor.

#### Specifications / Technical data

Art. No.	Size 200	
	GA 05.1, GA 05.2	GA 06.1, GA 06.2
Fluid	Air	
Port size	1/8"	1/4"
Pressure range	2.5 to 9 bar (0.25 to 0.9 MPa, 35 to 130 psi)	
Proof pressure	15 bar (1.5 MPa, 215 psi)	
Temperature range	-20 to 70 °C	
Acting type	Solenoid control	
Exhaust port size	1/4"	
Power connection	Terminal	
Standard voltage	AC 230 V, 50 Hz / DC 24 V	
Voltage range	-15 % to +10 %	
Insulation	Class B	
Power consumption	AC 3.5 VA / DC 2.5 W	
Option pressure gauge	Square pressure gauge	
Suitable F.R.L type	Suitable for all components of »G-mini« series	
Flow rate measurement at $P_1 = 8$ bar, $P_2 = 6$ bar and pressure drop $\Delta p = 1$ bar	550 L/min	

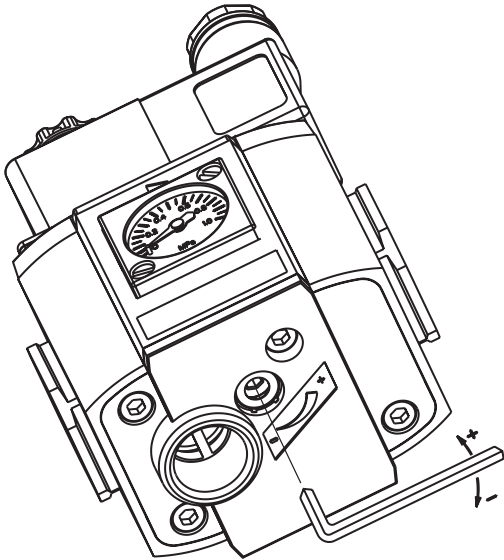
#### Ordering information

Art. No.	Type
GA 05.1, GA 06.1	Start-up valves, power supply 230 V AC, 50 Hz, with »HW« mounting bracket
GA 05.2, GA 06.2	Start-up valves, power supply 24 V DC, with »HW« mounting bracket

## »G-mini« Series

GA 05.1–GA 06.2

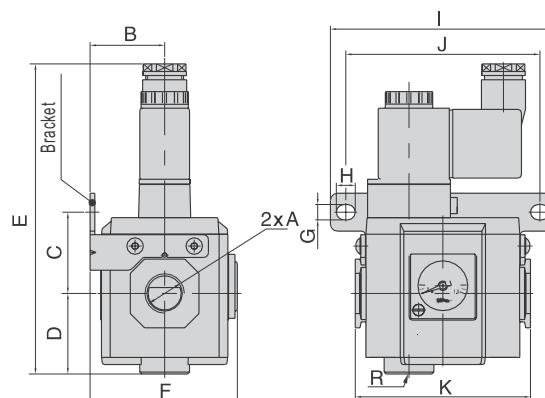
### Adjustment of soft start



Manually adjust the “+” and the “-” throttle screw at the bottom of the soft start-up valve as per the requirement of start speed. It shall go slowly, otherwise sudden acting of the product or system shall be caused with a heavy impact.

### Body dimensions

GA 05.1–GA 06.2



Art. No.	A	B	C	D	E	F	G	H	I	J	K	R
GA 05.1, GA 05.2	1/8"	24.5	30.5	30	123.5	57	5.5	8	80	67	59	1/4"
GA 06.1, GA 06.2	1/4"											

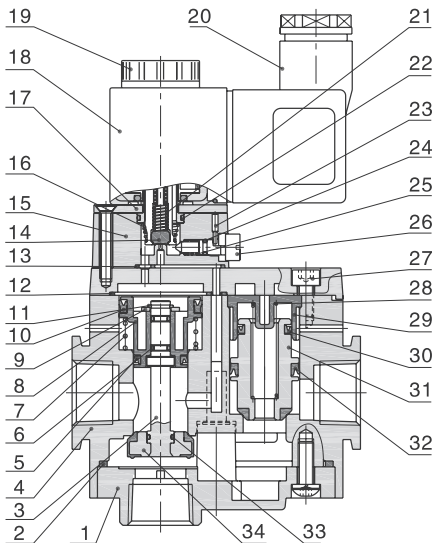
(Values in mm, exception A, R = inch)

### »G-mini« Series

GA 05.1–GA 06.2





#### Components and materials

GA 05.1–GA 06.2



No.	Item	Material
1	Bottom cover	Aluminium alloy ADC 12
2	Gasket	NBR
3	Spool	Brass
4	Body	Aluminium alloy ADC 12
5	O-ring	NBR
6	O-ring	NBR
7	Spring	Stainless steel
8	Inlet piston	POM
9	Piston gasket	Aluminium alloy
10	O-ring	NBR
11	Snap ring	Spring steel
12	Gasket	NBR
13	Gasket	NBR
14	Gasket	FKM
15	Pilot kit	Aluminium alloy
16	Spring	Stainless steel
17	Fixed plate	Steel
18	Coil set	
19	Nut	PA66
20	Connector	
21	Spring	Stainless steel
22	O-ring	NBR
23	Manual override block	Brass
24	O-ring	NBR
25	Spring	Stainless steel
26	Manual override	POM
27	Fixed screw	Steel S35C
28	Spring	Stainless steel
29	Valve cover	POM
30	O-ring	NBR
31	Valve spool	Aluminium alloy and NBR
32	O-ring	NBR
33	O-ring	HNBR
34	Inlet plug	Aluminium alloy and NBR

#### Accessories

	Art. No.	Type
	UB 200	Joiner without wall mounting
	LB 200	Joiner with wall mounting, 1 drilled hole
	TB 200	Joiner with wall mounting, 2 drilled holes
	HW 201	Mounting bracket, incl. 4 screws