

»R-SC/E1« series

Swing safety coupling with free passage.

The plug-in nipple is inserted into the coupling body and rotated by an approx. 90° motion to make the connection. As soon as the "red ring" clicks into the intended slot then a secure connection has been made.

To release the connection again, the "red ring" must be pulled out and the plug-in nipple is swivelled to the stopper into the starting position. Venting is done during uncoupling through a vent hole on the back side of the coupling.

This coupling meets ISO standard DIN EN ISO 4414, EN 983.

These safety couplings are not suitable for direct attachment to pulsating tools. We recommend using our vibration dampers, according to ISO 6150 § 7.1.

Areas of application: Pneumatic system, machine and plant engineering, measurement, monitoring and control systems, manufacturing industry, workshops, automotive, mining.

Operating pressure	max. 25 bar / max. 16 bar when attaching / detaching
Technical vacuum	100 mbar
Temperature range	-20 °C to 100 °C
Flow rate	2300 l/min (air)
Flow rate measurement	at 6 bar and $\Delta p = 0.5$ bar
Medium	Compressed air, gases
Housing	Steel, QPQ treated
Sleeve	Die-cast zinc, nickel-plated, red rubber coated
Threaded piece	Galvanised steel
Sealant	NBR
Lubrication	Silicone-free
Corrosion resistance	72 h salt spray test according to DIN 50021 SS
Necessary coupling force of the plug	10 N (at 6 bar)
Plug profile	acc. ISO 6150 C



#### Swing safety coupling DN 8, acc. ISO 6150 C, male

Art. No.	Type No.	Connection	Length mm	a/f mm
141685	425.11-SCH	G 1/4 ET	70.0	20
141686	425.12-SCH	G 3/8 ET	70.0	20
141687	425.13-SCH	G 1/2 ET	72.0	20
141688	425.11-SCH-NPT	NPT 1/4 ET	72.0	22
141689	425.12-SCH-NPT	NPT 3/8 ET	72.0	20
141690	425.13-SCH-NPT	NPT 1/2 ET	72.0	20

#### Swing safety coupling DN 8, acc. ISO 6150 C, female

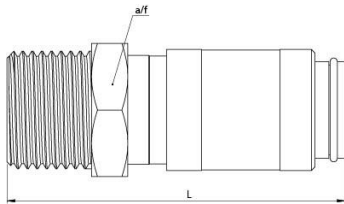
Art. No.	Type No.	Connection	Length mm	a/f mm
141679	425.01-SCH	G 1/4 IT	70.0	20
141680	425.02-SCH	G 3/8 IT	70.0	20
141681	425.03-SCH	G 1/2 IT	71.0	24
141682	425.01-SCH-NPT	NPT 1/4 IT	70.0	20
141683	425.02-SCH-NPT	NPT 3/8 IT	70.0	20
141684	425.03-SCH-NPT	NPT 1/2 IT	75.0	24

**Swing safety coupling DN 8, acc. ISO 6150 C, with hose stem**

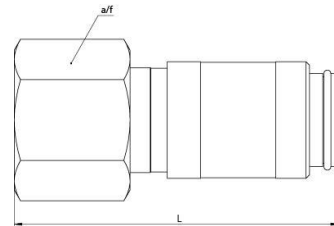
Art. No.	Type No.	Connection	Length mm	a/f mm
141691	425.22-SCH	Stem, I.D. 8	83.0	22
141692	425.24-SCH	Stem, I.D. 10	83.0	22
141693	425.25-SCH	Stem, I.D. 13	83.0	22

**Swing safety coupling DN 8, acc. ISO 6150 C, with hose connector**

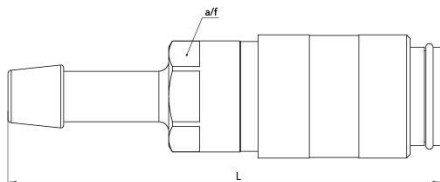
Art. No.	Type No.	Connection	Length mm	a/f mm
141694	425.34-SCH	Hose connection 8x12	77.0	24
141695	425.37-SCH	Hose connection 11x16	82.0	24



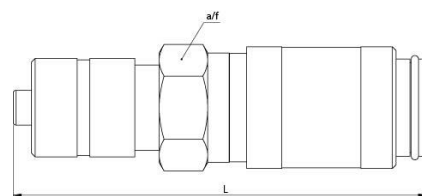
425.11-SCH



425.01-SCH



425.22-SCH



425.34-SCH

**Stem for couplings DN 8, ISO 6150 C, steel, QPQ treated**

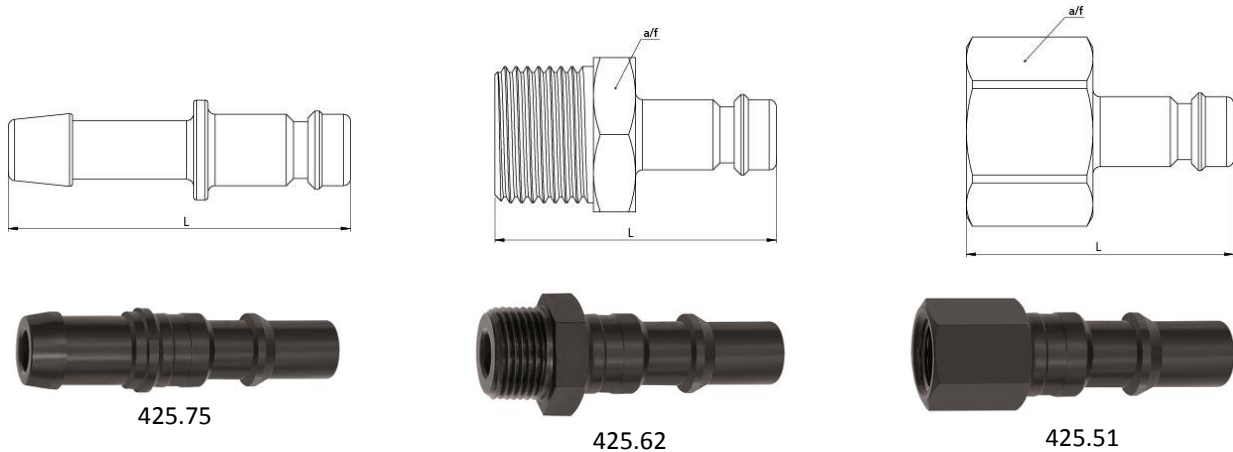
Art. No.	Type No.	Description	Length mm
141704	425.72	Stem, I.D. 8	63.0
141705	425.74	Stem, I.D. 10	63.0
141706	425.75	Stem, I.D. 13	63.0
141707	425.76	Stem, I.D. 16	63.0

**Plug for couplings DN 8, ISO 6150 C, steel, QPQ treated, male**

Art. No.	Type No.	Description	Length mm	a/f mm
141696	425.61	Plug, G 1/4 ET	56.0	17
141697	425.62	Plug, G 3/8 ET	56.0	19
141698	425.61-NPT	Plug, NPT 1/4 ET	59.0	17
141699	425.62-NPT	Plug, NPT 3/8 ET	59.0	19

**Plug for couplings DN 8, ISO 6150 C, steel, QPQ treated, female**

Art. No.	Type No.	Description	Length mm	a/f mm
141700	425.51	Plug, G 1/4 IT	56.0	17
141701	425.52	Plug, G 3/8 IT	58.0	24
141702	425.51-NPT	Plug, NPT 1/4 IT	57.0	17
141703	425.52-NPT	Plug, NPT 3/8 IT	58.0	24



## Installation location

The installation location of the quick-connect coupling must be selected so that the health of the person operating it cannot be harmed by sources of danger in the immediate surroundings, e.g. from slipping, jamming, contaminating or burning.

## Low pressure applications

Threads for low-pressure applications are, if series-related no corresponding coatings or sealing rings are present, to be provided with suitable sealing materials, such as a PTFE belt or liquid sealing agent. Here the resistance to the flowing medium must be paid attention to.

## Service manual

Quick-connect couplings are predominantly maintenance-free, if used in standard applications and handled carefully. The selection of the quick-connect coupling must be compatible with the intended purpose of use and material. Depending on the operating conditions it is recommended to provide the following points during maintenance:

**External visual inspection** with dirt in the functioning area of coupling and plug (seal area, control elements) these must be cleaned. The following distinguishing symptoms require replacement of the corresponding parts: Torn, damaged, heavily damaged or corroded parts, leaks on coupling and / or plug parts.

**Function test** under maximum Max. operating pressure can be used to test the quick-connect coupling for possible malfunctions and leaks. During the testing and operating phase it must be ensured that the operating personnel work protected.

**Replacement intervals** for quick-connect couplings must, if available, be adapted to the state or technical standards. However, also operating experiential values, which result from the required operational safety and the conditions of use, such as downtimes, coupling frequency, Max. operating pressure and properties of the medium, are critical for establishing the replacement intervals.

## Pulsating tool

When using pulsating tools it is recommended to observe the standard ISO 6150, § 7.1. It recommends installing a minimum 300 mm long, flexible hose between the pulsating tool and the quick-connect coupling. The oscillating forces are taken by the hose piece and thus increase the service life of the quick-connect coupling. No warranty can be made for couplings mounted directly on pulsating tools.

## Flow direction

The recommended flow direction is from the coupling to the plug if nothing else is specified in the technical data sheet.



## Application with hoses

When using hoses the permissible Max. operating pressure and the working temperature must absolutely be observed and suitable hose connections must be seen to.