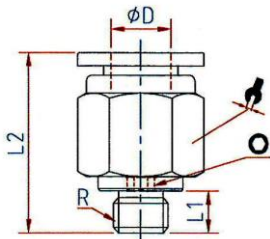


Our push-in fittings series manufactured in plastic and nickel-plated brass. Space-saving miniature design.

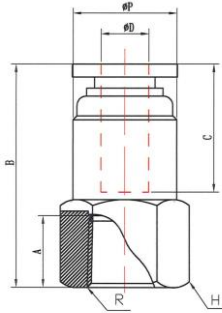
Working pressure:	max. 10 bar, vacuum
Temperature range:	0 °C to 60 °C
Material:	Plastic and nickel-plated brass
Sleeve:	Plastic
Sealing surface:	O-ring (NBR)
Thread:	M thread acc. to DIN 13-1, with O-ring G thread acc. to DIN EN ISO 228-1, with O-ring R thread acc. to ISO 7-1, coated
Medium:	Compressed air
Areas of application:	Air, vacuum
Recommended Hose:	PU or PA (nylon)



PCG-186

Male connector, male thread with outer hex, mini

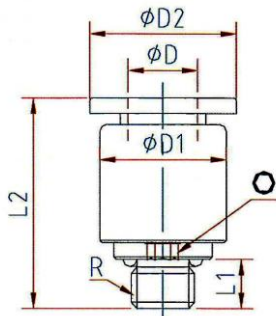
Art. No.	Type No.	Thread	Ø D mm	L1 mm	L2 mm	○ mm	a/f mm
108998	PC-33	M3x0.5	3	3.5	15.0	-	8
108999	PC-34	M3x0.5	4	3.5	17.5	-	8
109000	PC-53	M5x0.8	3	3.5	16.0	2	8
Art. No. 109000 = discontinued product. No longer available. New product 148785 (122.005-3M)							
109001	PC-54	M5x0.8	4	3.5	18.5	2	8
Art. No. 109001 = discontinued product. No longer available. New product 148786 (122.005-4M)							
109002	PC-56	M5x0.8	6	3.5	18.0	2	10
Art. No. 109002 = discontinued product. No longer available. New product 148787 (122.005-6M)							
109003	PC-63	M6x1.0	3	4.0	15.0	2	10
109004	PC-64	M6x1.0	4	4.0	19.0	2	10
Art. No. 109004 = discontinued product. No longer available. New product 148789 (122.006-4M)							
109005	PC-66	M6x1.0	6	4.0	18.5	2	10
Art. No. 109005 = discontinued product. No longer available. New product 148790 (122.006-6M)							
109006	PCG-184	G 1/8	4	5.5	15.2	3	14
Art. No. 109006 = discontinued product. No longer available. New product 148791 (122.018-4M)							
109007	PCG-186	G 1/8	6	5.0	17.2	4	13
Art. No. 109007 = discontinued product. No longer available. New product 148792 (122.018-6M)							
109008	PCR-184	R 1/8	4	7.5	16.0	3	10
109009	PCR-186	R 1/8	6	7.5	18.5	4	10



PA-54

Male connector, female thread with outer hex, mini

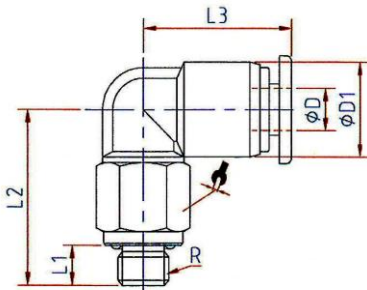
Art. No.	Type No.	Thread	Ø D mm	Ø P mm	A mm	B mm	C mm	H mm	G mm
109010	PA-33	M3	3	7.3	4.5	16.7	9.7	8	7
109011	PA-34	M3	4	8.0	5.0	18.0	11.7	8	6
109012	PA-53	M5	3	7.0	5.0	16.2	9.7	8	6
109013	PA-54	M5	4	8.0	4.5	18.0	11.7	8	7



POC-54

Male connector, round, mini

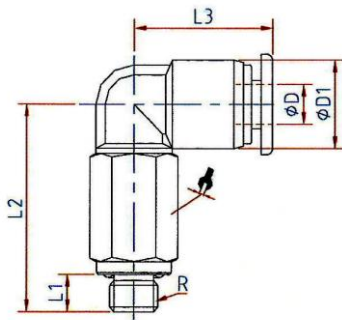
Art. No.	Type No.	Thread	Ø D mm	L1 mm	L2 mm	Ø D1 mm	Ø D2 mm	⊙ mm
109014	POC-33	M3x0.5	3	3.5	15.0	6.5	7.5	-
109015	POC-34	M3x0.5	4	3.5	17.5	8.0	10.0	-
109016	POC-53	M5x0.8	3	3.5	16.0	8.0	7.5	2
109017	POC-54	M5x0.8	4	3.5	18.0	8.0	10.0	2
Art. No. 109017 = discontinued product. No longer available. New product 148802 (207.005-4M)								
109018	POC-56	M5x0.8	6	3.5	18.0	10.0	11.5	2
Art. No. 109018 = discontinued product. No longer available. New product 148803 (207.005-6M)								
109019	POC-63	M6x1.0	3	4.0	15.0	10.0	-	2
109020	POC-64	M6x1.0	4	4.0	18.5	8.0	10.0	2
Art. No. 109020 = discontinued product. No longer available. New product 148805 (207.006-4M)								
109021	POC-66	M6x1.0	6	4.0	18.5	10.0	11.5	2
109022	POC-74	M7x1.0	4	4.5	18.5	10.0	-	3
109023	POC-76	M7x1.0	6	4.5	19.5	10.0	-	4
109024	POCG-184	G 1/8	4	5.5	15.2	14.0	10.0	3
109025	POCG-186	G 1/8	6	5.5	17.6	14.0	11.5	4
Art. No. 109025 = discontinued product. No longer available. New product 148810 (207.018-6M)								
109026	POCR-184	R 1/8	4	7.5	15.5	10.0	10.0	3
109027	POCR-186	R 1/8	6	7.5	18.5	10.0	11.5	4



PL-64

Male elbow, swivel type, mini

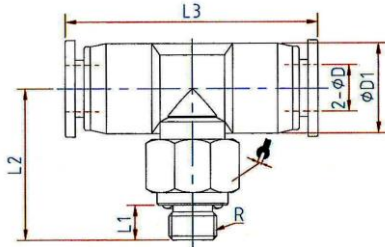
Art. No.	Type No.	Thread	Ø D mm	L1 mm	L2 mm	L3 mm	Ø D1 mm	a/f mm
109028	PL-33	M3	3	3.5	16.0	12.0	7.5	8
109029	PL-34	M3	4	3.5	17.2	14.0	9.5	8
Art. No. 109029 = discontinued product. No longer available. New product 148814 (125.003-4M)								
109030	PL-53	M5	3	3.5	16.0	12.0	7.5	8
109031	PL-54	M5	4	3.5	17.2	14.0	9.5	8
Art. No. 109031 = discontinued product. No longer available. New product 148816 (125.005-4M)								
109032	PL-56	M5	6	3.5	17.2	16.0	11.5	8
Art. No. 109032 = discontinued product. No longer available. New product 148817 (125.005-6M)								
109033	PL-63	M6	3	4.0	16.5	12.0	7.5	10
109034	PL-64	M6	4	4.0	17.6	14.0	9.5	10
Art. No. 109034 = discontinued product. No longer available. New product 148819 (125.006-4M)								
109035	PL-66	M6	6	4.0	17.6	16.0	11.5	10
Art. No. 109035 = discontinued product. No longer available. New product 148820 (125.006-6M)								
109036	PL-74	M7	4	4.5	15.7	12.0	8.0	10
109037	PL-76	M7	4	4.5	17.2	13.5	10.5	10
109038	PLG-184	G 1/8	6	5.5	16.5	14.0	9.5	13
109039	PLG-186	G 1/8	6	5.5	16.5	16.0	11.5	13
Art. No. 109039 = discontinued product. No longer available. New product 148824 (125.018-6M)								
109040	PLR-184	R 1/8	4	7.5	18.0	14.0	9.5	10
109041	PLR-186	R 1/8	6	7.5	18.0	16.0	11.5	10
Art. No. 109041 = discontinued product. No longer available. New product 148826 (126.018-6M)								



PLL-53

Male elbow, long, swivel type, mini

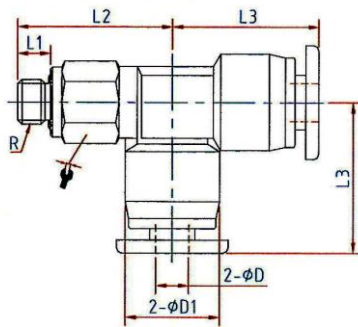
Art. No.	Type No.	Thread	Ø D mm	L1 mm	L2 mm	L3 mm	Ø D1 mm	a/f mm
109042	PLL-33	M3x0.5	3	3.5	24.0	12.0	7.5	8
109043	PLL-34	M3x0.5	4	3.5	29.2	14.0	9.5	8
109044	PLL-53	M5x0.8	3	3.5	24.0	12.0	7.5	8
109045	PLL-54	M5x0.8	4	3.5	29.2	14.0	9.5	8
Art. No. 109045 = discontinued product. No longer available. New product 148830 (127.005-4M)								
109046	PLL-56	M5x0.8	6	3.5	29.2	16.0	11.5	8
Art. No. 109046 = discontinued product. No longer available. New product 148831 (127.005-6M)								
109047	PLL-63	M6x1.0	3	4.0	24.5	12.0	7.5	10
109048	PLL-64	M6x1.0	4	4.0	29.6	14.0	9.5	10
109049	PLL-66	M6x1.0	6	4.0	29.6	16.0	11.5	10
Art. No. 109049 = discontinued product. No longer available. New product 148834 (127.006-6M)								
109050	PLLG-184	G 1/8	4	5.5	28.5	14.0	9.5	14
109051	PLLG-186	G 1/8	6	5.5	28.5	16.0	11.5	14
109052	PLLR-184	R 1/8	4	7.5	30.0	14.0	9.5	10
109053	PLLR-186	R 1/8	6	7.5	30.0	16.0	11.5	10



PB-54

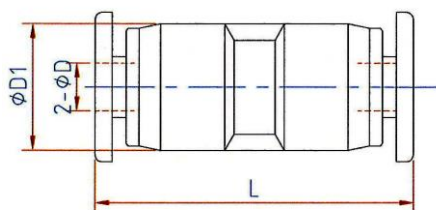
Male branch tee, swivel type, mini

Art. No.	Type No.	Thread	Ø D mm	L1 mm	L2 mm	L3 mm	Ø D1 mm	a/f mm
109054	PB-33	M3x0.5	3	3.5	16.0	24.0	7.5	8
109055	PB-34	M3x0.5	4	3.5	17.2	28.0	9.5	8
109056	PB-53	M5x0.8	3	3.5	16.0	24.0	7.5	8
109057	PB-54	M5x0.8	4	3.5	17.2	28.0	9.5	8
Art. No. 109057 = discontinued product. No longer available. New product 148842 (131.005-4M)								
109058	PB-56	M5x0.8	6	3.5	18.2	32.0	11.5	8
Art. No. 109058 = discontinued product. No longer available. New product 148843 (131.005-6M)								
109059	PB-63	M6x1.0	3	4.0	16.5	24.0	7.5	10
109060	PB-64	M6x1.0	4	4.0	17.6	28.0	9.5	10
109061	PB-66	M6x1.0	6	4.0	18.6	32.0	11.5	10
109062	PBG-184	G 1/8	4	5.5	16.5	28.0	9.5	14
109063	PBG-186	G 1/8	6	5.5	16.5	32.0	11.5	14
109064	PBR-184	R 1/8	4	7.5	18.0	28.0	9.5	10
109065	PBR-186	R 1/8	6	7.5	19.0	32.0	11.5	10


PD-64

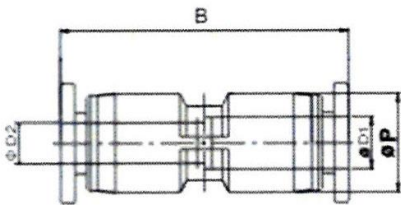
Male branch tee, angled plug connections, swivel type, mini

Art. No.	Type No.	Thread	Ø D mm	L1 mm	L2 mm	L3 mm	Ø D1 mm	a/f mm
109066	PD-33	M3x0.5	3	3.5	16.0	12.0	7.5	8
109067	PD-34	M3x0.5	4	3.5	17.2	14.0	9.5	8
109068	PD-53	M5x0.8	3	3.5	16.0	12.0	7.5	8
109069	PD-54	M5x0.8	4	3.5	17.2	14.0	9.5	8
Art. No. 109069 = discontinued product. No longer available. New product 148854 (129.005-4M)								
109070	PD-56	M5x0.8	6	3.5	18.2	14.5	11.5	8
109071	PD-63	M6x1.0	3	4.0	16.5	12.0	7.5	10
109072	PD-64	M6x1.0	4	4.0	17.6	14.0	9.5	10
109073	PD-66	M6x1.0	6	4.0	18.6	14.5	11.5	10
109074	PDG-184	G 1/8	4	5.5	16.5	14.0	9.5	13
109075	PDG-186	G 1/8	6	5.5	16.5	16.0	11.5	13
Art. No. 109075 = discontinued product. No longer available. New product 148860 (129.018-6M)								
109076	PDR-184	R 1/8	4	7.5	18.0	14.0	9.5	10
109077	PDR-186	R 1/8	6	7.5	19.0	14.5	11.5	10


PU-4

Union, mini

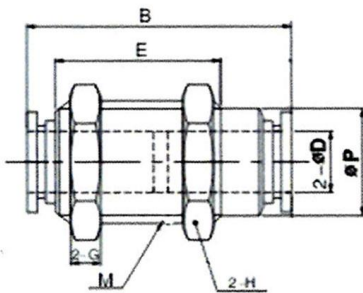
Art. No.	Type No.	Ø D mm	Ø D1 mm	L mm
109078	PU-3	3	7.5	21.0
Art. No. 109078 = discontinued product. No longer available. New product 148863 (135.003M)				
109079	PU-4	4	9.5	26.5
Art. No. 109079 = discontinued product. No longer available. New product 148864 (135.004M)				
109080	PU-6	6	11.5	27.5
Art. No. 109080 = discontinued product. No longer available. New product 148865 (135.006M)				



PUR-43

Reducer, mini

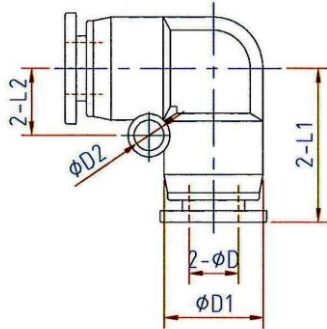
Art. No.	Type No.	Ø D1 mm	Ø D2 mm	L mm	Ø P mm
109081	PUR-43	4.0	3.0	24.9	8.1
Art. No. 109081 = discontinued product. No longer available. New product 148866 (136.0403M)					
109082	PUR-64	6.0	4.0	25.7	11.0
Art. No. 109082 = discontinued product. No longer available. New product 148867 (136.0604M)					



PS-123

Bulkhead connector, mini

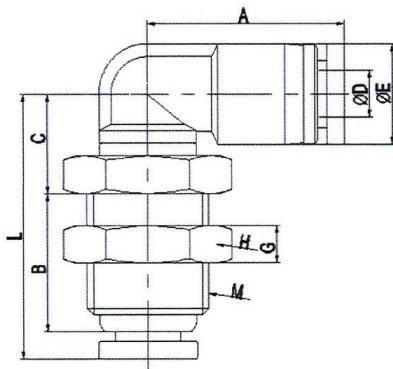
Art. No.	Type No.	Thread	Ø D mm	B mm	Ø P mm	E mm	H mm	G mm
109083	PS-83	M8x0.75	3	20.3	6.0	13.0	10.0	2.3
109084	PS-104	M10x1.0	4	24.0	8.0	14.8	12.0	3.0
109085	PS-123	M12x1.0	6	23.8	10.0	15.2	14.0	4.0
Art. No. 109085 = discontinued product. No longer available. New product 148870 (149.012-3M)								



PV-4

Union elbow, mini

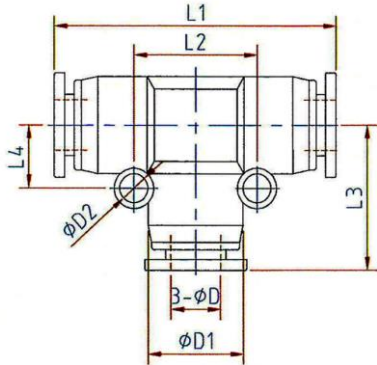
Art. No.	Type No.	Ø D mm	Ø D1 mm	Ø D2 mm	L1 mm	L2 mm
109086	PV-3	3	7.5	3.2	12.0	4.8
109087	PV-4	4	9.5	3.2	14.5	6.0
Art. No. 109087 = discontinued product. No longer available. New product 148872 (137.004M)						
109088	PV-6	6	11.5	3.2	16.0	6.5
Art. No. 109088 = discontinued product. No longer available. New product 148873 (137.006M)						



PWS-126

Bulkhead connector, elbow type, mini

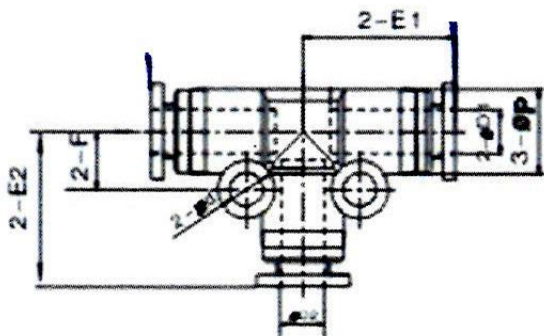
Art. No.	Type No.	Thread	Ø D mm	A mm	B mm	C mm	E mm	L mm	H mm	G mm
109089	PWS-83	M8x0.75	3	12.0	11.0	7.7	7.0	21.6	10.0	2.3
109090	PWS-104	M10x1.0	4	15.7	11.0	8.0	8.2	22.5	12.0	3.0
109091	PWS-126	M12x1.0	6	16.0	14.2	11.1	11.1	28.8	12.0	4.0



PG-4

Union tee, mini

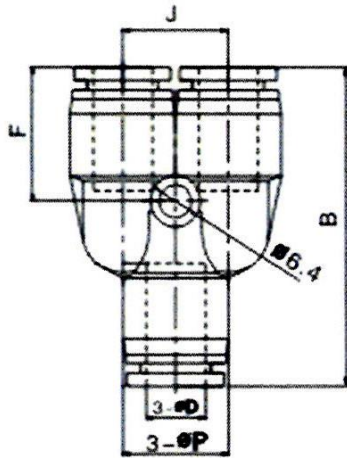
Art. No.	Type No.	Ø D mm	Ø D1 mm	Ø D2 mm	L1 mm	L2 mm	L3 mm	L4 mm
109092	PG-3	3	7.5	3.2	23.5	9.6	11.8	4.8
Art. No. 109092 = discontinued product. No longer available. New product 148877 (138.003M)								
109093	PG-4	4	9.5	3.2	29.0	12.0	14.5	6.0
Art. No. 109093 = discontinued product. No longer available. New product 148878 (138.004M)								
109094	PG-6	6	11.5	3.2	32.0	13.0	16.0	6.5
Art. No. 109094 = discontinued product. No longer available. New product 148879 (138.006M)								



PGR-43

Union tee, unequal, mini

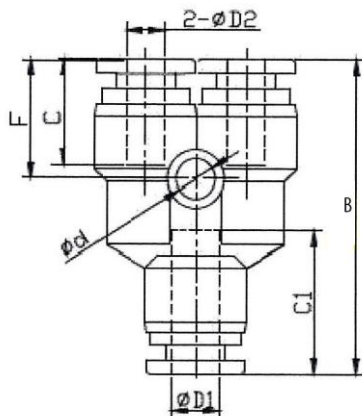
Art. No.	Type No.	Ø D1 mm	Ø D2 mm	Ø P mm	E1 mm	Ø d mm	F mm	E2 mm
109095	PGR-43	4	3	8.2	14.7	3.2	6.0	11.4
109096	PGR-64	6	4	10.7	16.4	3.2	7.0	14.7
Art. No. 109096 = discontinued product. No longer available. New product 148881 (138.0604M)								



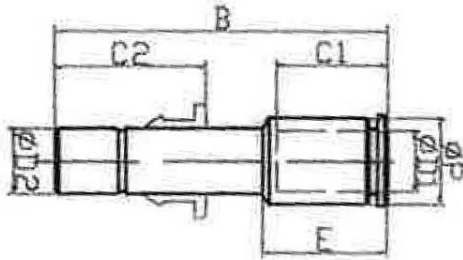
PY-3

Y union, mini

Art. No.	Type No.	Ø D mm	B mm	Ø P mm	J mm	F mm
109097	PY-3	3	28.8	8.1	8.0	12.8
109098	PY-4	4	29.4	8.2	8.0	13.2
Art. No. 109098 = discontinued product. No longer available. New product 148883 (140.004M)						
109099	PY-6	6	31.8	10.7	10.7	13.4
Art. No. 109099 = discontinued product. No longer available. New product 148884 (140.006M)						


Y union, unequal, mini

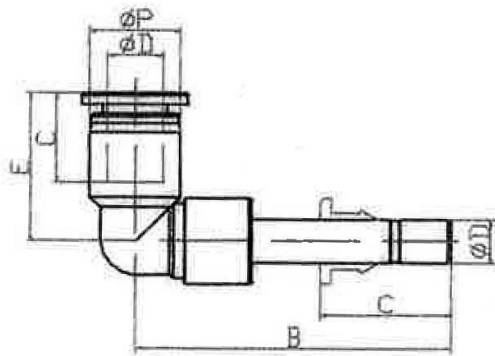
Art. No.	Type No.	C1 mm	C mm	B mm	F mm	Ø d mm	Ø D1 mm	Ø D2 mm
109100	PYR-43	12.0	9.3	29.1	12.9	3.1	4	3
Art. No. 109100 = discontinued product. No longer available. New product 148885 (141.0403M)								
109101	PYR-64	12.4	12.0	31.6	13.2	3.2	6	4
Art. No. 109101 = discontinued product. No longer available. New product 148886 (141.0604M)								



PSR-43

Reducer with push-in plug, mini

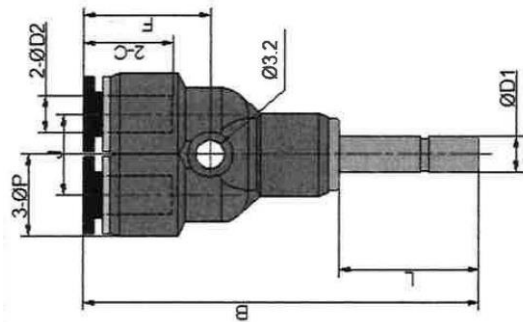
Art. No.	Type No.	Ø D1 mm	Ø D2 mm	Ø P mm	C1 mm	C2 mm	B mm	E mm	Material
109102	PSR-43	3	4	6.2	10.0	12.0	28.8	11.8	Nickel-plated brass
109103	PSR-64	4	6	8.0	12.0	13.5	32.2	13.2	Nickel-plated brass



PLS-66

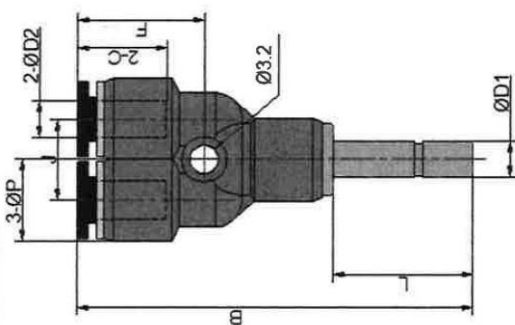
Union elbow with push-in plug, mini

Art. No.	Type No.	Ø D1 mm	Ø P mm	C1 mm	B mm	E mm
109104	PLS-33	3	6.5	10.0	26.6	11.5
109105	PLS-44	4	8.0	12.0	28.5	14.0
109106	PLS-66	6	10.5	13.5	32.0	16.3


PYS-6

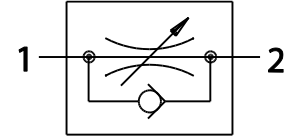
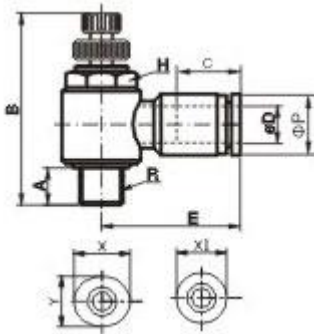
Y union with push-in plug, mini

Art. No.	Type No.	Ø D1 mm	Ø D2 mm	B mm	Ø P mm	L mm	C mm	F mm	J mm
109107	PYS-3	3	3	38.0	7.0	13.0	9.0	12.0	7.0
109108	PYS-4	4	4	43.0	9.5	15.5	11.0	14.0	9.0
109109	PYS-6	6	6	46.0	11.0	16.0	11.5	15.0	11.0


PYSR-64

Y union with push-in plug, unequal, mini

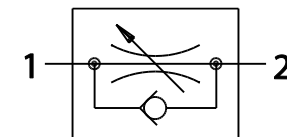
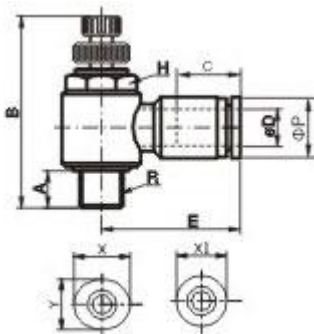
Art. No.	Type No.	Ø D1 mm	Ø D2 mm	B mm	Ø P mm	L mm	C mm	F mm	J mm
109110	PYSR-43	4	3	40.5	7.0	15.5	9.0	12.0	7.0
109111	PYSR-64	6	4	43.5	9.5	16.0	11.0	14.0	9.0



282.003-3

Unidirectional flow control valve with incoming air restriction, adjustable with knurled screw, angled, swivel type, metric male thread with O-ring (NBR)

Art. No.	Type No.	Ø D mm	R Mm	A mm	H mm	E mm	B mm	C mm	Ø P mm
135548	282.003-3	3	M3	3	8	16.4	31.2	9.3	8.1
135549	282.003-4	4	M3	3	8	16.7	31.2	12.0	8.1
135550	282.003-6	6	M3	3	8	18.1	31.2	12.4	10.7
135551	282.005-3	3	M5	3.5	8	16.4	31.7	9.3	8.1
135552	282.005-4	4	M5	3.5	8	16.7	31.7	12.0	8.1
135553	282.005-6	6	M5	3.5	8	18.1	31.7	12.4	10.7



283.003-3

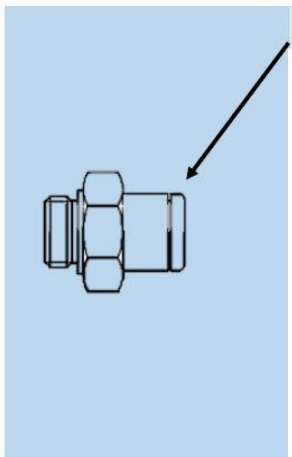
Unidirectional flow control valve with outgoing air restriction, adjustable with knurled screw, angled, swivel type, metric male thread with O-ring (NBR)

Art. No.	Type No.	Ø D mm	R Mm	A mm	H mm	E mm	B mm	C mm	Ø P mm
135554	283.003-3	3	M3	3	8	16.4	31.2	9.3	8.1
135555	283.003-4	4	M3	3	8	16.7	31.2	12.0	8.1
135556	283.003-6	6	M3	3	8	18.1	31.2	12.4	10.7
135557	283.005-3	3	M5	3.5	8	16.4	31.7	9.3	8.1
135558	283.005-4	4	M5	3.5	8	16.7	31.7	12.0	8.1
135559	283.005-6	6	M5	3.5	8	18.1	31.7	12.4	10.7

Assembling instructions for push-in fittings

- Cut the hose ends plain. To ensure an ideal sealing effect and secure stop of the fitting make sure the hose end is not oval.
- Clean the hose ends and make sure that it is free of burrs.
- Push the hose ends into the fitting till it stops.
- Test stability by pulling the hose shortly.
- Push the release ring to release the hose.
- Pull out the hose with slight rotation.
- For a new assembling cut the hose plain again. Then pushing and releasing the tube should not be affected adversely.

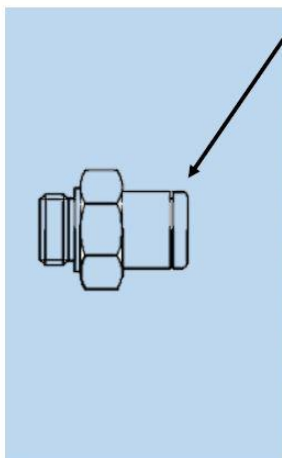
We recommend for improved strength of push-in fittings with **PA** hoses, the following push-in fitting - hose combination:



For tube O.D.	Recommended hose \emptyset	Recommended hose
3	3x1.5 *	259.08 X
4	4x2 *	259.09 X
5	5x3	259.10 X
6	6x4 *	259.11 X
8	8x6 *	259.12 X
10	10x7 *	259.61 X
12	12x9 *	259.14 X
14	14x11	259.62 X
16	16x12	259.25 X

* Recommended and based on ISO 14743

We recommend for improved strength of push-in fittings with **PU** hoses, the following push-in fitting - hose combination:



For tube O.D.	Recommended hose \emptyset	Recommended hose
3	3x1.5 *	259.50 X
4	4x2 *	259.04 X
5	5x3	259.15 X
6	6x4 *	259.16 X
8	8x5 *	259.63 X
10	10x7 *	259.64 X
12	12x8 *	259.65 X
14	14x10	259.51 X
16	16x12	259.52 X

* Recommended and based on ISO 14743