



Service unit 3-piece

Size 3

850 C

G 1/2

 0.5 to 10 bar
 0.5 to 16 bar


Characteristics

Order No.	850 C
Port	G 1/2
Pressure gauge port	G 1/4
Type of construction	- Centrifugal filter Sintered filter element - Diaphragm pressure regulator with self-relieving design - Proportional lubricator
Input pressure p_1	Max. 16 bar with plastic bowl Max. 25 bar with metal bowl
Input pressure p_1 with fully-automatic drain	Max. 16 bar Min. 1.5 bar
Control range p_2	0.5 to 10 bar, 0.5 to 16 bar Other control ranges on request
Mounting position	Vertical, drain plug at bottom
Mounting type	Bracket on regulator Bracket and two screws
Medium temperature	Max. 60 °C (other temperature
Ambient temperature	Max. 60 °C ranges on request)
Filter rating	5 µm
Bowl capacity	Filter: Max. 65 cm ³ condensate Oil-mist lubricator: 135 cm ³
Condensate drain	Manual, semi-automatic Fully-automatic on request
Weight [g]	2710

Ordering information



Order example: 850 C/M

Port	
850 C	G 1/2 with plastic bowl
Options	
M	Metal bowl
S	Bowl guard

Please use the suffix »A« to order fully-automatic drain

Description

- Standard design
- Pressure gauge Ø63 included
- Oil can be filled under pressure
- Filter rating acc. to ISO 4003
- Combinations of individual devices can also be supplied as special versions

Recommended oil

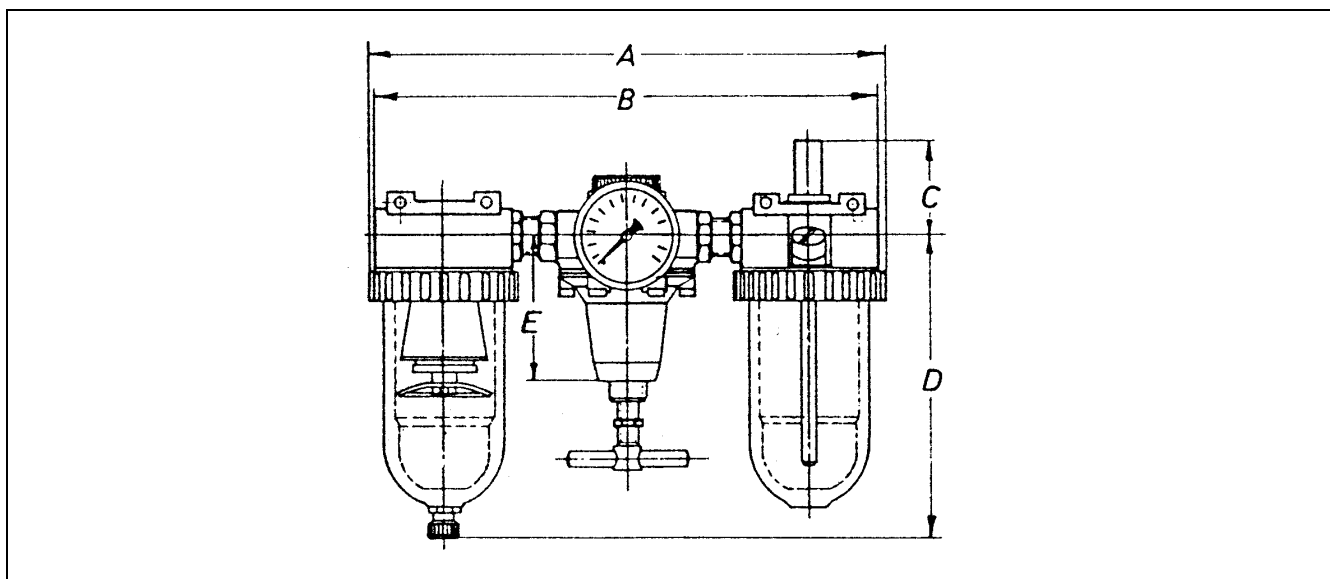
Special pneumatic oil 32

Viscosity at 40 °C: 32 cSt [mm²/s]
 Temperature range: -35 to +85 °C

Oil bowls made of plastic (polycarbonate) are corroded by additives, anti-freeze agents and synthetic oils. We therefore recommend using mineral oils from approx. 22 to 32 cSt or up to 68 cSt in conjunction with impact tools. Metal bowls and metal sight domes should be used for all other oil grades.

Materials

Part	Material
Head piece (body)	Z 410
Spring bonnet	Z 410-brass
Diaphragm	NBR-brass
Pressure spring	Galvanised steel
Valve cone	NBR-brass
Counter-pressure spring	Stainless steel
O-ring 68 x 3	NBR
Filter element 5 µm	Polyethylene
Condensate bowl	Polycarbonate
Baffle	PA
Air deflector	PS
Oil bowl	Polycarbonate
Oil fill plug	POM-NBR
Sight dome	PA
Sight dome - metal	Zinc-glass-NBR



Dimensions [mm]

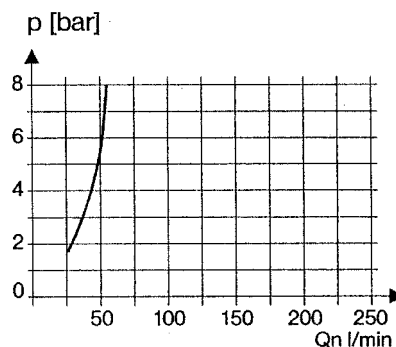
Port	Dimensions					Pr. gauge
	A	B	C	D	E	
850 C + 850 C/S	259.0	251.0	55.0	168.4	73.5	Ø 63
850 C/M	259.0	251.0	55.0	171.0	73.5	Ø 63

Flow rates

Flow rates at $p_1 = 8 \text{ bar}$

Output pressure $p_2 = [\text{bar}]$	QN		6
Nominal flow ($\Delta p = 1 \text{ bar}$)	m^3/h	l/min	192 3200

Lubricator operating limit



Accessories

Designation	Order No.
Mounting bracket with nut and washer	75/2
Mounting bracket with two screws, compl.	H 801
Plastic bowl (filter)	650/2-HA
Plastic bowl (lubricator)	740/04
Sight dome, metal	760.7.991
Metal bowl (filter)	650/12
Metal bowl (lubricator)	740/14
Bowl guard, complete	SK 03
Fully-automatic drain (external)	65/0-N
Fully-automatic drain (internal)	655.6.900

Main spare parts

Part	Part No.
Set of wearing parts	22.635.4
Filter element 5 μm	633.6.905
Filter element 40 μm	653.6.940
Filter element 8 μm	653.6.908
Sight dome (polycarbonate)	760.7.990
Sight dome (metal)	760.7.991
Pr. gauge G 1/4, Ø 63 mm	
0 to 10 bar	217-KD
0 to 16 bar	218-KD

Flow characteristic

