



2/2-way check valve Pneumatically controlled

PN 10

Single-acting - spring to open

351.971 to 351.987

Rp 3/8 to Rp 2

Description

- Special shut-off device for automated industrial plant engineering
- Extremely compact type of construction
- 100 % passage
- No moving external parts (reduced risk of accidents)
- Signal switch can be supplied (on request)
- Directly mountable control valve
- Choice of three sealing materials for a wide range of applications

Characteristics

Type of actuation	Air-actuated at one end
Connection	Rp 3/8 to Rp 2 socket (standard)
Type of construction	Piston valve (special piston design for 100 % passage)
Nominal width	10 – 50 mm
Mounting position	Any
Rated pressure of ball valve DN 10 to DN 50	10 bar
Control pressure (actuator)	4.2 to max. 8.0 bar
Control medium	Filtered, dry compressed air
Operating temperature	-20 °C to +80 °C
- NBR	-20 °C to +150 °C (not for vapour)
- Viton	
Flow direction	Any
Flow media	Non-aggressive gases and liquids
Control valve mounting	NAMUR master gauge for holes
Pneumatic control	Directly mounted or separate 3/2-way valves On request: Pneumatically or manually actuated

Accessories

Designation	Order No.
3/2-way control valve (NAMUR)	
-230/50	551.01
-24V =	551.02
3/2-way control valve G 1/8	
-230/50 (continuous current)	517.114
-24= (continuous current)	517.111
On request	
Magnetic limit switch	

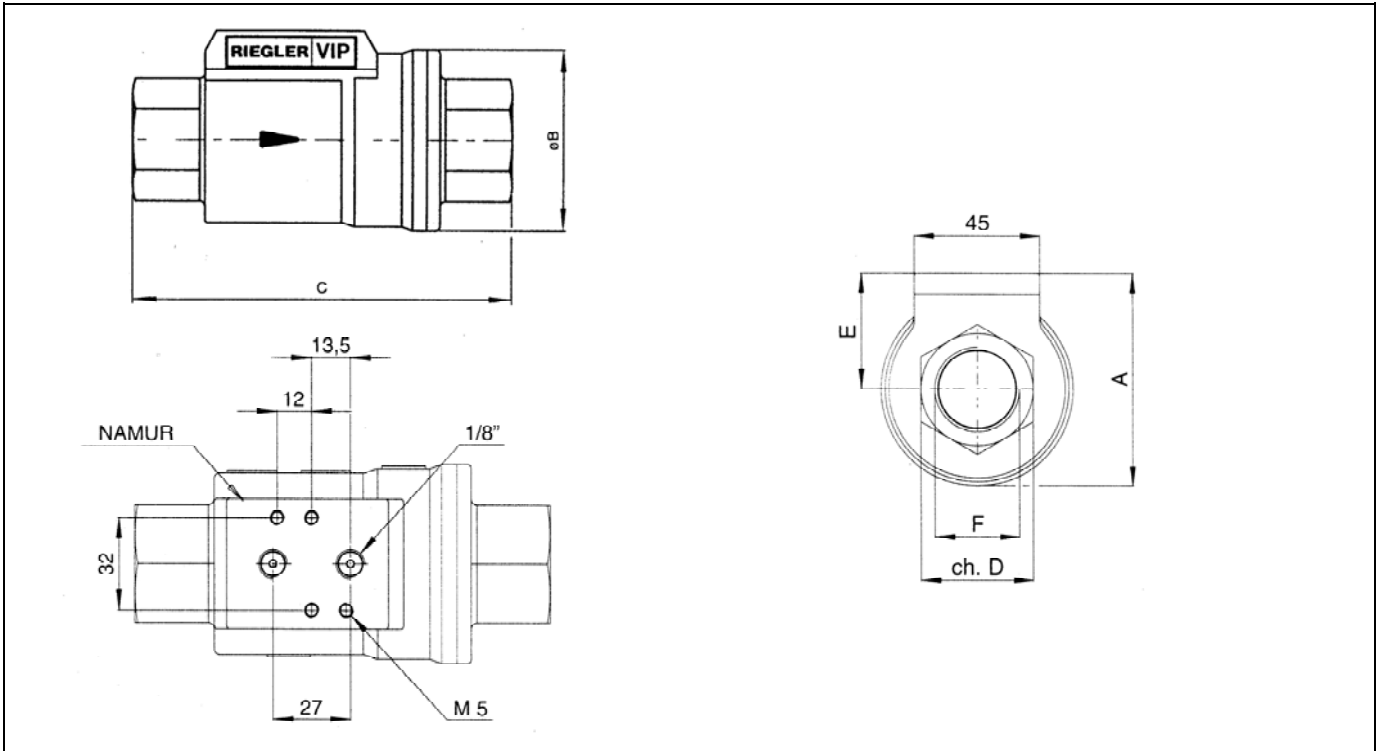
Bestelldaten

Type No. – Art. No.	Thread	DN
NBR		
351.971 - 137353	Rp 3/8	10
351.972 - 137354	Rp 1/2	15
351.973 - 137355	Rp 3/4	20
351.974 - 137356	Rp 1	25
351.975 - 137357	Rp 1 1/4	32
351.976 - 137358	Rp 1 1/2	40
351.977 - 137359	Rp 2	50
FKM		
351.981 - 137360	Rp 3/8	10
351.982 - 137361	Rp 1/2	15
351.983 - 137362	Rp 3/4	20
351.984 - 137363	Rp 1	25
351.985 - 137364	Rp 1 1/4	32
351.986 - 137365	Rp 1 1/2	40
351.987 - 137366	Rp 2	50

Control pressure

min. [bar]	max. [bar]
4.2	8.0

Dimensions [mm]

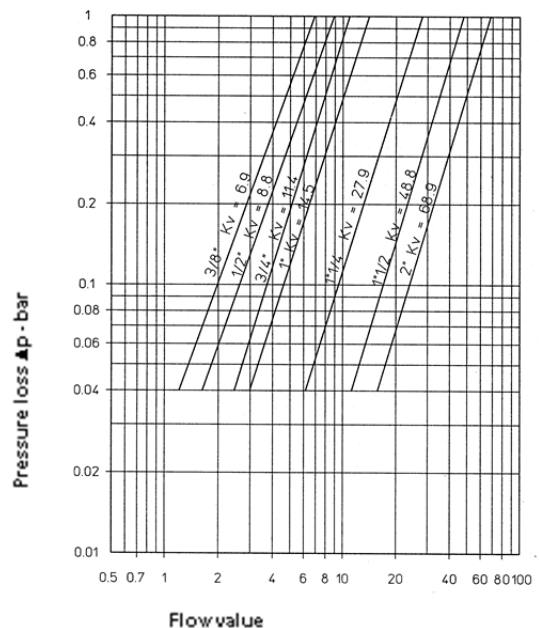


Type No.	351.971 351.981	351.972 351.982	351.973 351.983	351.974 351.984	351.975 351.985	351.976 351.986	351.977 351.987
Nominal width [mm]	10	15	20	25	32	40	50
Threaded connection Rp	3/8	1/2	3/4	1	1 1/4	1 1/2	2
Passage ØP [mm]	10	15	20	25	32	40	50
A [mm]	53.8	60.0	70.0	76.0	92.0	102.0	115.0
ØB [mm]	46.0	51.7	63.5	69.0	86.0	96.0	109.0
C [mm]	98.0	112.0	135.0	143.0	165.0	180.0	207.0
ch.D [mm]	22	27	33	41	50	60	75
E [mm]	30.8	33.3	38.25	41.5	49.0	54.0	60.0
Weight [g]	800	1000	1590	1800	3410	3700	5800
Kv m ³ /h	6.9	8.8	11.4	14.5	27.9	48.8	68.9
Air consumption (l/cycle)		3.5	6.3	8.0	15	21.9	31

Materials

Part	Material
Body	Nickel-plated brass
Socket	Nickel-plated brass
Sealing face	Brass
Stop ring	PTFE
Lip seal	NBR / FKM / EPDM
O-ring	NBR / FKM
Piston	Nickel-plated brass
Piston seal	NBR / FKM
Label	Aluminium alloy
Circlip	Stainless steel alloy
Socket seal	NBR / FKM

Flow-pressure loss graph



© Riedler 12-3