

three-piece, »FUTURA« series

Three-piece service units with excellent flow rates in modern design.

Lockable diaphragm pressure regulator with secondary ventilation, oil can be filled without interrupting operation.

Input pressure	1.5 - 16 bar
Temperature range	-10 °C to 50 °C
Medium	Compressed air, neutral gases
Housing	PA66 GF60
Connecting thread	Material: Die-cast zinc
Filter element	Cellpor (PE)
Filter rating	5 µm
Sight dome	PC
Sealant	NBR
Diaphragms	NBR
Flow rate measurement	At $P_1 = 10$ bar, $P_2 = 6.3$ bar and pressure drop $\Delta p = 1$ bar

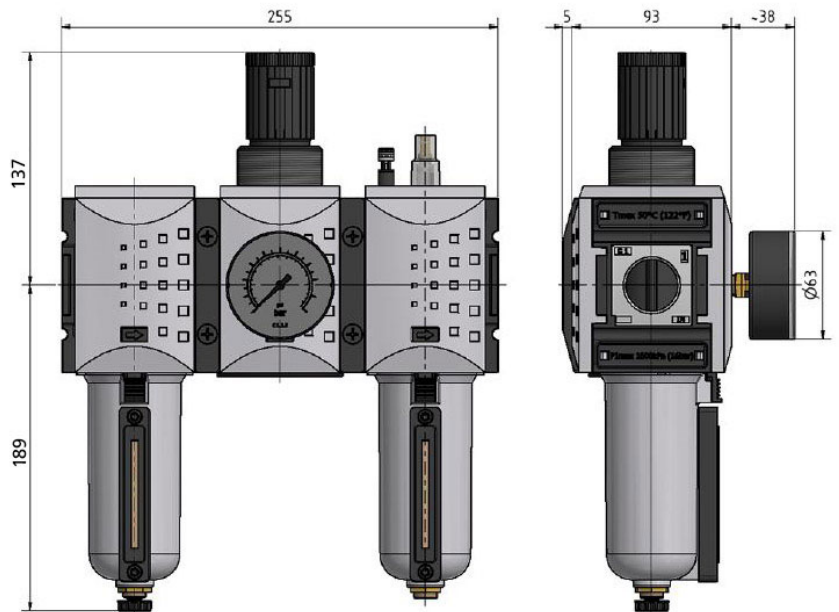
### Service unit, 3-piece with metal bowl, sight glass and pressure gauge

Art. No.	Type No.	Thread	Size	Control range bar	Pressure gauge display bar	Flow rate l/min	Condensate drain
152675	FU 625-M-1	G 3/4	4	0.1 - 1	0 - 1.6	12000	Semi-automatic
152676	FU 625-M-2	G 3/4	4	0.1 - 2	0 - 2.5	12000	Semi-automatic
152677	FU 625-M-4	G 3/4	4	0.2 - 4	0 - 6	12000	Semi-automatic
152678	FU 625-M	G 3/4	4	0.5 - 8	0 - 10	12000	Semi-automatic
152679	FU 625-M-10	G 3/4	4	0.5 - 10	0 - 16	12000	Semi-automatic
152680	FU 625-M-16	G 3/4	4	0.5 - 16	0 - 25	12000	Semi-automatic
152681	FU 626-M-1	G 1	4	0.1 - 1	0 - 1.6	12000	Semi-automatic
152682	FU 626-M-2	G 1	4	0.1 - 2	0 - 2.5	12000	Semi-automatic
152683	FU 626-M-4	G 1	4	0.2 - 4	0 - 6	12000	Semi-automatic
152684	FU 626-M	G 1	4	0.5 - 8	0 - 10	12000	Semi-automatic
152685	FU 626-M-10	G 1	4	0.5 - 10	0 - 16	12000	Semi-automatic
152686	FU 626-M-16	G 1	4	0.5 - 16	0 - 25	12000	Semi-automatic
152711	FU 637-M-1	G 3/4	4	0.1 - 1	0 - 1.6	12000	Fully-automatic
152712	FU 637-M-2	G 3/4	4	0.1 - 2	0 - 2.5	12000	Fully-automatic
152713	FU 637-M-4	G 3/4	4	0.2 - 4	0 - 6	12000	Fully-automatic
152714	FU 637-M	G 3/4	4	0.5 - 8	0 - 10	12000	Fully-automatic
152715	FU 637-M-10	G 3/4	4	0.5 - 10	0 - 16	12000	Fully-automatic
152716	FU 637-M-16	G 3/4	4	0.5 - 16	0 - 25	12000	Fully-automatic
152717	FU 638-M-1	G 1	4	0.1 - 1	0 - 1.6	12000	Fully-automatic
152718	FU 638-M-2	G 1	4	0.1 - 2	0 - 2.5	12000	Fully-automatic
152719	FU 638-M-4	G 1	4	0.2 - 4	0 - 6	12000	Fully-automatic
152720	FU 638-M	G 1	4	0.5 - 8	0 - 10	12000	Fully-automatic
152721	FU 638-M-10	G 1	4	0.5 - 10	0 - 16	12000	Fully-automatic
152722	FU 638-M-16	G 1	4	0.5 - 16	0 - 25	12000	Fully-automatic

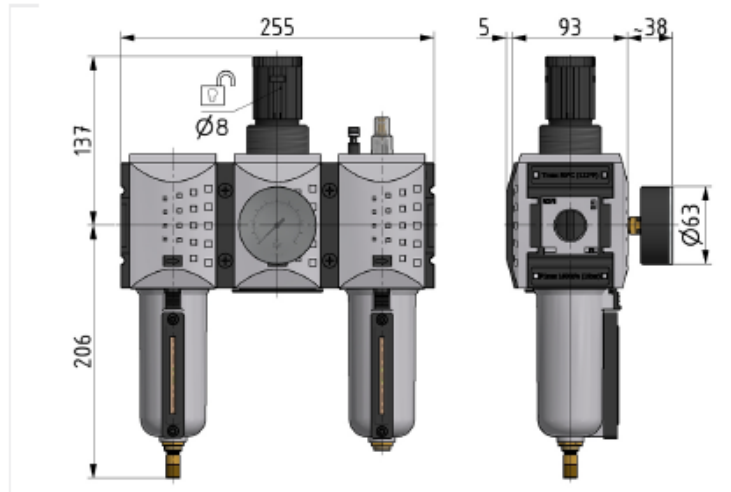
**Accessories / spare parts**

Art. No.	Type No.	Description
100048	H 854	Mounting bracket, incl. 2 screws
100049	WK 103	Wall bracket, incl. 2 screws
100050	KP 300	Joiner set, incl. 2 screws
100140	BSF 34	Polycarbonate bowl, incl. bowl guard
100217	BSL 34	Polycarbonate bowl, incl. bowl guard for oiler
100141	MF 34	Metal bowl, incl. sight glass
100218	ML 34	Metal bowl, incl. sight glass for oiler
100142	BSF 34-A	Polycarbonate bowl with automatic drain valve
100143	MF 34-A	Metal bowl, incl. sight glass, with automatic drain valve
100037	SS 32	Key lock
135853	WK 104-34	Wall bracket with connection thread G 3/4
135854	WK 104-1	Wall bracket with connection thread G 1
100144	6141.6.905	Filter element 5 µm, cellpor
100214	901.7.990	Sight dome, polycarbonate
100051	22.71110.4	Seal kit for pressure regulator
100362	655.6.900	Automatic drain valve

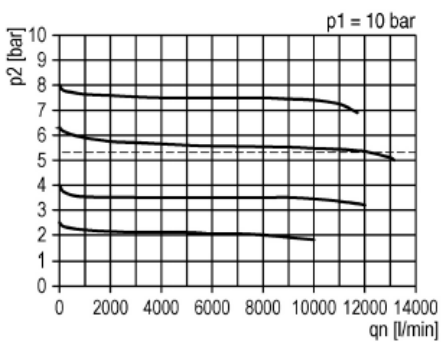
**Semi-automatic:**



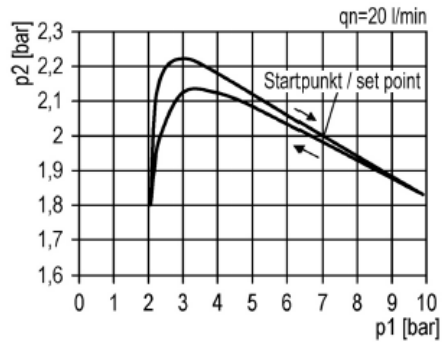
Fully-automatic:



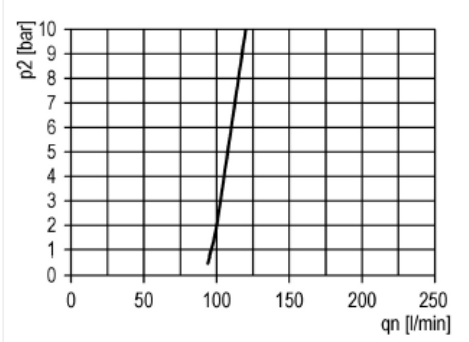
flow characteristic



pressure characteristic

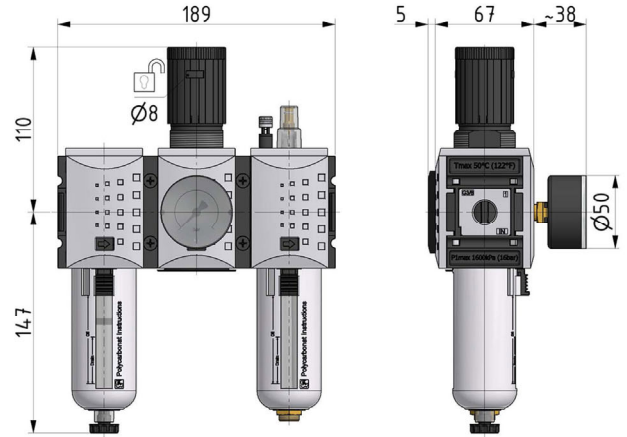
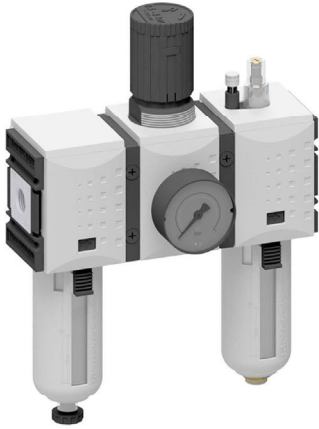


lubricator operating limit

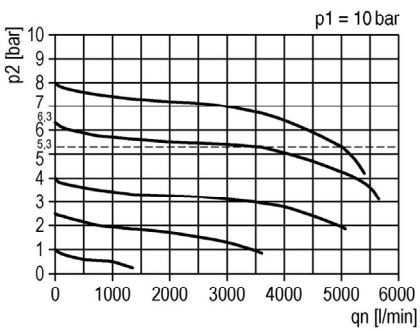


symbol

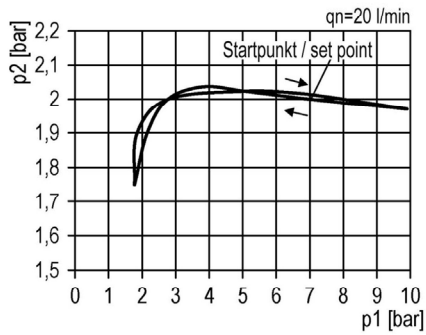




flow characteristic



pressure characteristic



lubricator operating limit

