

»multifix« series

For filtering out solid impurities larger than 0.3 µm.

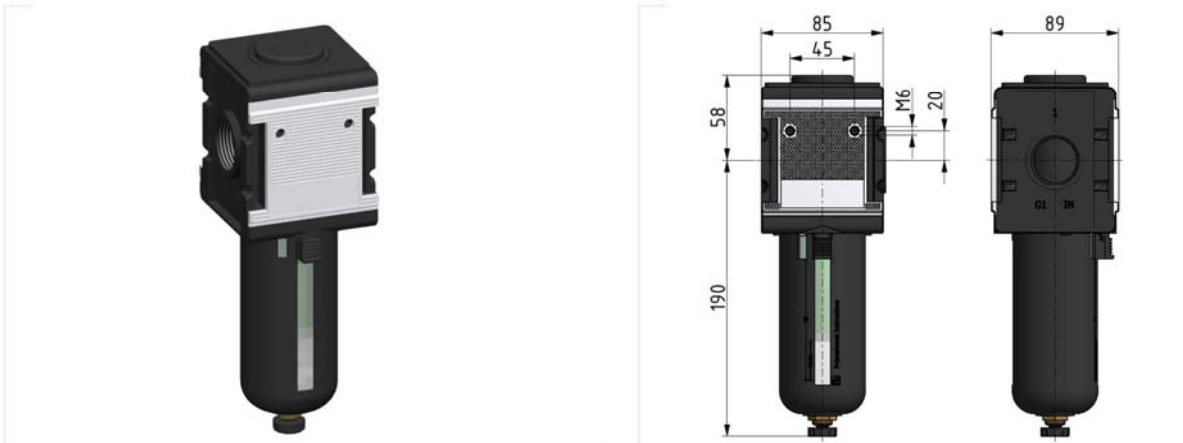
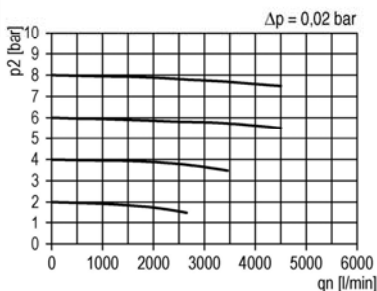
Max. input pressure:	16 bar
Max. medium temperature:	60 °C
Max. ambient temperature:	60 °C
Drain vale:	Semi-automatic
Sealant:	NBR
Flow rate measurement:	At P ₁ = 6 bar and pressure drop Δ _p = 0.02 bar
Filter rating:	0.3 µm
Efficiency:	99.999 %
Filter element:	Paper-POM

Pre-filter with polycarbonate bowl and bowl guard

Art. No.	Type No.	Thread	Housing	Flow rate l/min	Size	DN
133116	FV 45 S	G 1	Die-cast aluminium	2000	4	25

Accessories / spare parts

Art. No.	Type No.	Description
135858	ZW 45	Mounting bracket with 2 screws
135857	KP 45	Coupler pack for modular assembly of several devices
135859	KSS 45 F-HA	Polycarbonate bowl, Bowl guard with semi-automatic draining
135860	KSS 45 F-A	Polycarbonate bowl, Bowl guard with fully automatic draining
135861	MS 45 FS	Metal bowl with sight glass and semi-automatic draining
135862	MS 45 FS-A	Metal bowl with sight glass and fully automatic draining
100362	655.6.900	Automatic drain valve
100174	V 864/04	Filter element (paper-aluminium)


flow characteristic

symbol
