



## 2/2-way check valve Pneumatically controlled

PN 10

Double-acting,  
valve air-actuated at both ends

**351.911 to 351.927**

**Rp 3/8 to Rp 2**

### Description

- Special shut-off device for automated industrial plant engineering
- Extremely compact type of construction
- 100 % passage
- No moving external parts (reduced risk of accidents)
- Signal switch can be supplied (on request)
- Directly mountable control valve
- Choice of three sealing materials for a wide range of applications

### Characteristics

Type of actuation	Air-actuated at <b>both ends</b>
Connection	Rp 3/8 to Rp 2 socket ( <b>standard</b> )
Type of construction	Piston valve (special piston design for 100 % passage)
Nominal width	10 – 50 mm
Mounting position	Any
Rated pressure of ball valve DN 10 to DN 50	<b>10 bar</b>
Control pressure (actuator)	3.0 to max. 8.0 bar
Control medium	Filtered, dry compressed air
Operating temperature	-20 °C to +80 °C
- NBR	-20 °C to +80 °C
- FKM	-20 °C to +150 °C ( <b>not</b> for vapour)
- EPDM	-20 °C to +150 °C (for <b>vapour</b> )
Flow direction	Any
Flow media	Non-aggressive gases and liquids
Control valve mounting	NAMUR master gauge for holes
Pneumatic control	Directly mounted or separate 5/2-way valves <b>On request:</b> Pneumatically or manually actuated

### Accessories

Designation	Order No.
5/2-way control valve ( <b>NAMUR</b> )	
-230/50	551.01
-24V =	551.02
5/2-way control valve <b>G 1/8</b>	
-230/50 (continuous current)	517.204
-24= (continuous current)	517.201
-230/50 (pulse)	517.214
-24= (pulse)	517.211
<b>On request</b>	
Magnetic limit switch	

### Main spare parts

Designation	Order No.
NBR	
Wearing parts kit for 351.911	22.351.911
Wearing parts kit for 351.912	22.351.912
Wearing parts kit for 351.913	22.351.913
Wearing parts kit for 351.914	22.351.914
FKM	
Wearing parts kit for 351.921	22.351.921
Wearing parts kit for 351.922	22.351.922
Wearing parts kit for 351.923	22.351.923
Wearing parts kit for 351.924	22.351.924

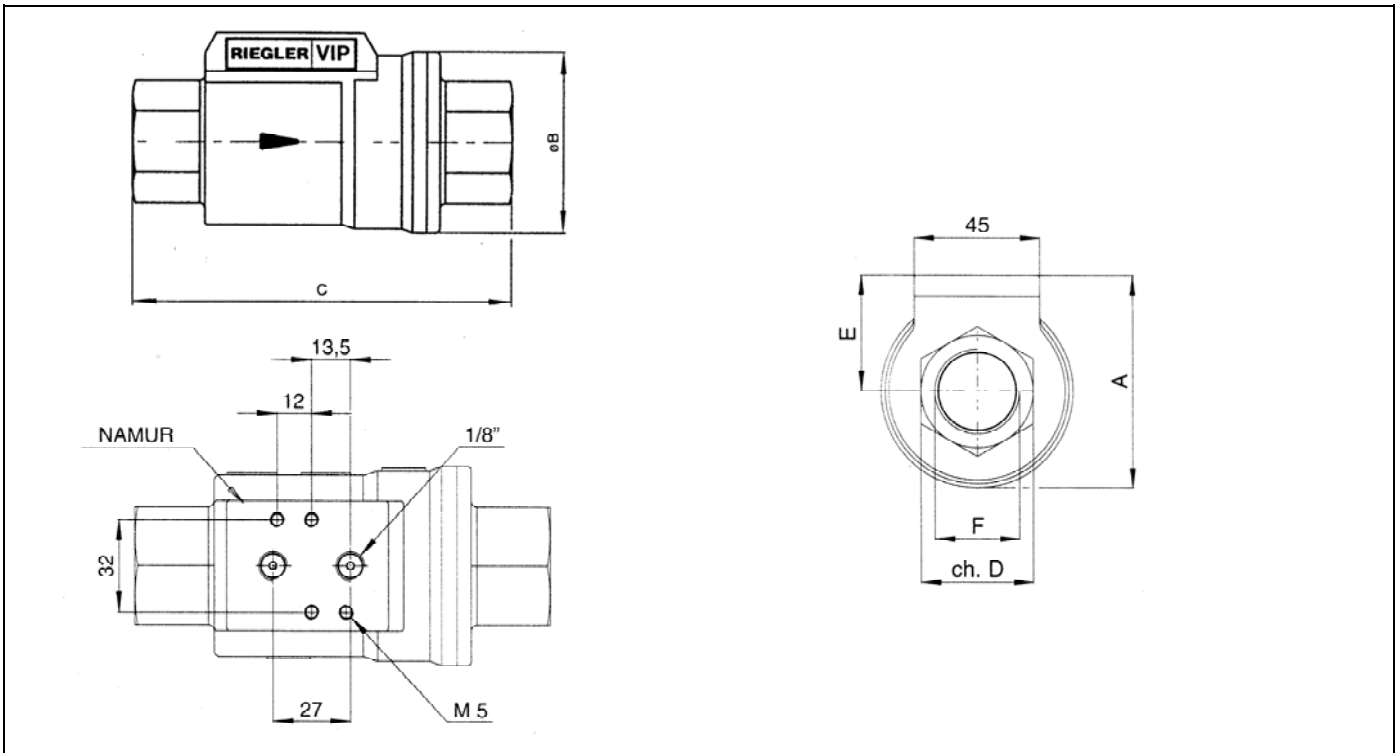
### Ordering data

Type No. – Art. No.	Thread	DN
NBR		
351.911 - 103723	Rp 3/8	10
351.912 - 103724	Rp 1/2	15
351.913 - 103725	Rp 3/4	20
351.914 - 103726	Rp 1	25
351.915 - 133388	Rp 1 1/4	32
351.916 - 133389	Rp 1 1/2	40
351.917 - 133390	Rp 2	50
FKM		
351.921 - 103727	Rp 3/8	10
351.922 - 103728	Rp 1/2	15
351.923 - 103729	Rp 3/4	20
351.924 - 103730	Rp 1	25
351.925 - 133391	Rp 1 1/4	32
351.926 - 133392	Rp 1 1/2	40
351.927 - 133393	Rp 2	50
EPDM		
On request		

### Control pressure

min. [bar]	max. [bar]
3.0	8.0

Dimensions [mm]

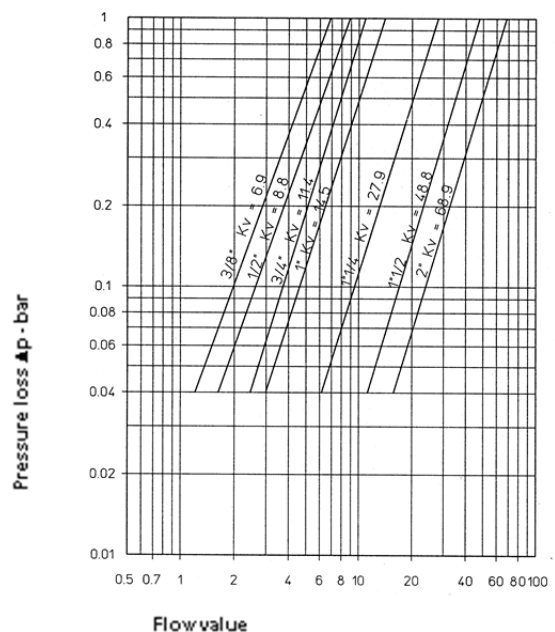


Type No.	351.911 351.921	351.912 351.922	351.913 351.923	351.914 351.924	351.915 351.925	351.916 351.926	351.917 351.927	
Nominal width [mm]	10	15	20	25	32	40	50	
Threaded connection Rp	3/8	1/2	3/4	1	1 1/4	1 1/2	2	
Passage ØP [mm]	10	15	20	25	32	40	50	
A [mm]	53.8	60.0	70.0	76.0	92.0	102.0	115.0	
ØB [mm]	46.0	51.7	63.5	69.0	86.0	96.0	109.0	
C [mm]	98.0	112.0	135.0	143.0	165.0	180.0	207.0	
ch.D [mm]	22	27	33	41	50	60	75	
E [mm]	30.8	33.3	38.25	41.5	49.0	54.0	60.0	
Weight [g]	800	1000	1590	1800	3130	3500	5500	
Kv m <sup>3</sup> /h	6.9	8.8	11.4	14.5	27.9	48.8	68.9	
Air consumption (l/cycle)	2,4	3.5	6.3	8.0	15	21.9	31	

Materials

Part	Material
Body	Nickel-plated brass
Socket	Nickel-plated brass
Sealing face	Brass
Stop ring	PTFE
Lip seal	NBR / FKM / EPDM
O-ring	NBR / FKM
Piston	Nickel-plated brass
Piston seal	NBR / FKM
Label	Aluminium alloy
Circlip	Stainless steel alloy
Socket seal	NBR / FKM

Flow-pressure loss graph



© Riegler 12-3