

**Safety Valves, brass,  
type tested TÜV-SV.1090 S/G**

Standard safety valve  
with FPM valve seal, open bonnet, with discharge holes  
Inlet: male thread type G (BSPP) acc. to ISO 228/1

**Part No. 06216.X.0000**

**Part No. 06217.X.0000**

with lifting device

Available options - on request only:

- discharge holes with protection cap
- stainless steel spring - material 1.4571
- external parts nickel plated

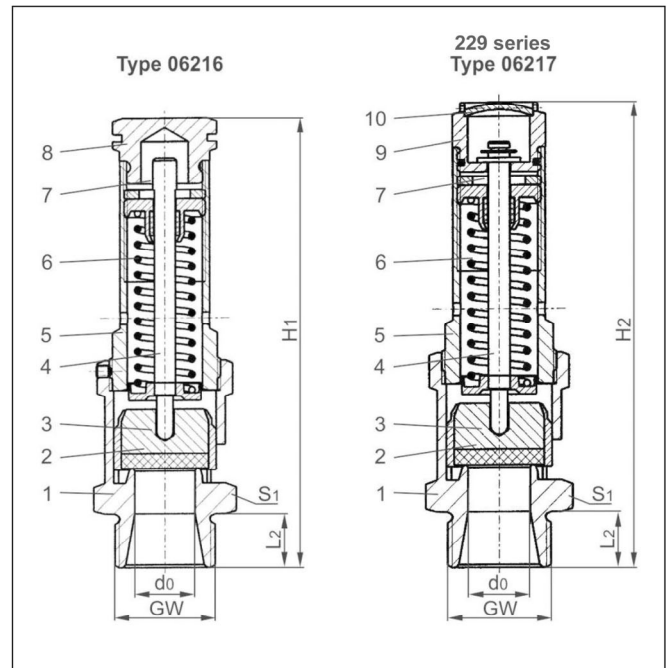
**Applications:**

Provided as safety device for protection against excessive pressure in stationary and moveable gas cylinders and pressure vessels. Approved for air and similar gases.

Working temperature: -40°C / -40°F (233K) up to +200°C / +392°F (473K), suitable for horizontal installation



Materials	DIN EN	ASME/ASTM
1 Body	CW617N	B 283 UNS C37700
2 Valve seal	FPM (Viton-GLT)	
3 Disc	CW614N	B 455 UNS C38500
4 Stem	CW614N	B 455 UNS C38500
5 Bonnet	CW614N	B 455 UNS C38500
6 Spring	1.1200	A 227
7 Stem guide	PTFE	
8 Cap	CW614N	B 455 UNS C38500
9 Lifting device	CW614N	B 455 UNS C38500
10 Closing cap	CW507L	B 36 UNS C26800



**Essential:** Valves are delivered at a set pressure, therefore when ordering please confirm set pressure, medium and temperature.

Standard marking acc. to Pressure Equipment Directive 2014/68/EU (PED).



Marking acc. to ASME Code Section VIII.



Type 06216, Type 06217	Technical data						
	GW	1/2	3/4	1	1-1/4	1-1/2	2
Nominal size	d <sub>0</sub>	12	15	20	25	32	40
Orifice							
Dimension code	.X.	0400	0600	1000	1200	1400	2000
Set pressure range	bar	0.2-25	0.2-30	0.2-30	0.2-22	0.2-16	0.2-12
Height	H <sub>1</sub>	103	122	149	169	198	224
Height	H <sub>2</sub>	107	126	150	172	200	228
Length	L <sub>2</sub>	14	16	18	20	22	25
Wrench size across flats	S <sub>1</sub>	27	32	41	50	55	70
Weight	ca. kg	0.25	0.41	0.72	1.23	1.73	3.09
Coeff. of discharge from 3.0 bar	α <sub>w</sub>	0.83	0.83	0.73	0.71	0.69	0.66
Coeff. of discharge from 3.0 bar	rated slope	2.59	4.10	6.79	10.15	16.50	24.80

Dimensions in mm.

**Discharge capacities**

Medium:

Air in m<sup>3</sup>/h at 0°C and 1013.25 mbar

Air in SCFM at 60°F (15.6°C) and 14.7 psia (1013.25 mbar)

The capacity indicated below is for a fully opened valve.

d<sub>0</sub> - orifice

A<sub>0</sub> - flow area

Calculation of discharge capacity acc. to AD2000-Merkblatt A2 / DIN EN ISO 4126-1 resp. ASME Code Sec. VIII.  
The safety valve is marked with the lower capacity of both calculations.

Set pressure in bar (g)	GW	1/2	3/4	1	1-1/4	1-1/2	2
	d <sub>0</sub> (mm) A <sub>0</sub> (mm <sup>2</sup> ) Medium	12.0 113.1	15.0 176.7	20.0 314.2	25.0 490.9	32.0 804.2	40.0 1256.6
Air in m <sup>3</sup> /h							
0.2		49	78	128	194	317	436
0.5		83	133	211	309	518	712
1.0		124	196	308	459	776	1085
2.0		201	317	495	752	1215	1760
3.0		276	432	675	1026	1634	2442
4.0		347	542	847	1288	2051	3065
5.0		418	654	1022	1553	2473	3696
6.0		489	764	1194	1815	2890	4320
7.0		560	874	1367	2077	3308	4944
8.0		632	988	1544	2347	3737	5585
9.0		703	1098	1717	2610	4156	6211
10.0		775	1212	1894	2879	4584	6851
11.0		846	1322	2068	3142	5003	7478
12.0		917	1433	2241	3406	5423	8105
14.0		1059	1655	2588	3933	6263	-
16.0		1201	1877	2935	4460	7102	-
18.0		1343	2099	3282	4988	-	-
20.0		1500	2343	3664	5567	-	-
22.0		1643	2567	4014	6100	-	-
25.0		1858	2903	4539	-	-	-
26.0		-	3015	4714	-	-	-
28.0		-	3239	5064	-	-	-
30.0		-	3496	5466	-	-	-

Set pressure in psig	GW	1/2	3/4	1	1-1/4	1-1/2	2
	d <sub>0</sub> (inch) A <sub>0</sub> (in <sup>2</sup> ) Medium	0.472 0.175	0.591 0.274	0.787 0.487	0.984 0.761	1.260 1.247	1.575 1.948
Air in SCFM							
15		78	124	194	290	490	687
30		127	195	315	479	773	1123
50		191	285	466	710	1130	1688
60		221	330	540	822	1308	1955
70		251	375	614	933	1486	2222
80		281	421	688	1045	1665	2488
90		312	466	762	1157	1843	2755
100		341	511	835	1269	2022	3022
120		402	601	981	1492	2376	3551
130		432	646	1055	1604	2554	3818
140		462	691	1129	1716	2733	4084
150		492	736	1203	1828	2911	4351
160		522	781	1277	1940	3090	4618
174		565	845	1380	2098	3340	4992
180		583	872	1424	2164	3446	-
190		613	917	1498	2276	3624	-
200		643	962	1572	2388	3803	-
220		703	1052	1719	2613	4160	-
232		739	1106	1807	2747	4374	-
240		764	1142	1866	2836	-	-
260		824	1232	2014	3060	-	-
280		884	1323	2161	3284	-	-
300		945	1413	2308	3509	-	-
319		1002	1498	2448	3721	-	-
340		1065	1593	2603	-	-	-
363		1134	1697	2772	-	-	-
380		-	1774	2897	-	-	-
400		-	1864	3045	-	-	-
420		-	1954	3192	-	-	-
435		-	2022	3302	-	-	-