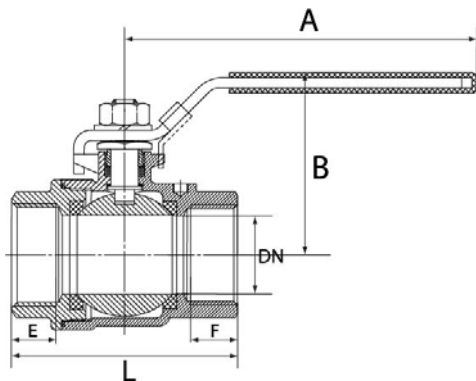


Stainless steel, 2-piece - standard type.

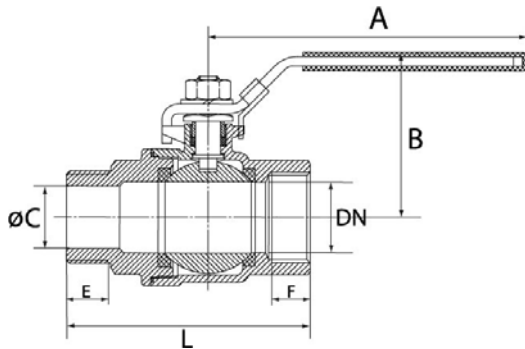
Housing	Stainless steel 1.4408
Ball	Stainless steel 1.4401
Ball seal	PTFE (15 % glass fibre reinforced)
Stem seal	PTFE
Hand lever	Stainless steel 1.4301, with plastic coating
Operating temperature	-20 °C to 180 °C
Standard thread	G thread acc. to DIN EN ISO 228-1



3395.05

Stainless steel ball valve, 2-piece, female/female thread, with full bore

Art. No.	Type No.	Thread	DN	PN bar	L mm	A mm	B mm	E mm	F mm	Kv
135892	3395.01	G 1/4	11.6	63	50.0	94.0	44.0	10.0	10.0	6.6
135893	3395.02	G 3/8	12.5	63	50.0	94.0	44.0	11.0	11.0	7.9
135894	3395.03	G 1/2	15	63	58.0	104.0	50.0	12.0	12.0	11.2
135895	3395.04	G 3/4	20	63	65.0	113.0	59.0	13.0	13.0	21
135896	3395.05	G 1	25	63	80.0	128.0	65.0	15.0	15.0	35
135897	3395.06	G 1 1/4	32	63	92.0	156.0	79.0	17.0	17.0	57
135898	3395.07	G 1 1/2	38	63	105.0	156.0	83.0	17.0	17.0	80
135899	3395.08	G 2	50	63	125.0	194.0	99.0	23.0	23.0	150
135900	3395.09	G 2 1/2	64	40	155.0	246.0	125.0	27.0	27.0	265
135901	3395.10	G 3	76	40	183.0	246.0	130.0	31.0	31.0	415



3395.25

Stainless steel ball valve, 2-piece, female/male thread, slightly reduced

Art. No.	Type No.	Thread	DN	PN bar	L mm	A mm	B mm	C Ø mm	E mm	F mm	Kv
135902	3395.21	G 1/4	11.6	63	55.2	94.0	44.0	8.0	8.0	9.0	6.6
135903	3395.22	G 3/8	12.5	63	55.2	94.0	44.0	10.5	8.0	10.0	7.9
135904	3395.23	G 1/2	15	63	71.5	104.0	50.0	13.6	14.0	12.0	11.2
135905	3395.24	G 3/4	20	63	78.0	113.0	59.0	18.2	14.0	13.0	21
135906	3395.25	G 1	25	63	91.0	128.0	65.0	23.0	18.0	14.0	35
135907	3395.26	G 1 1/4	32	63	100.0	156.0	79.0	31.0	16.0	15.0	57
135908	3395.27	G 1 1/2	38	63	112.0	156.0	83.0	38.0	20.0	16.0	80
135909	3395.28	G 2	50	63	142.0	194.0	99.0	48.0	23.5	21.0	150

